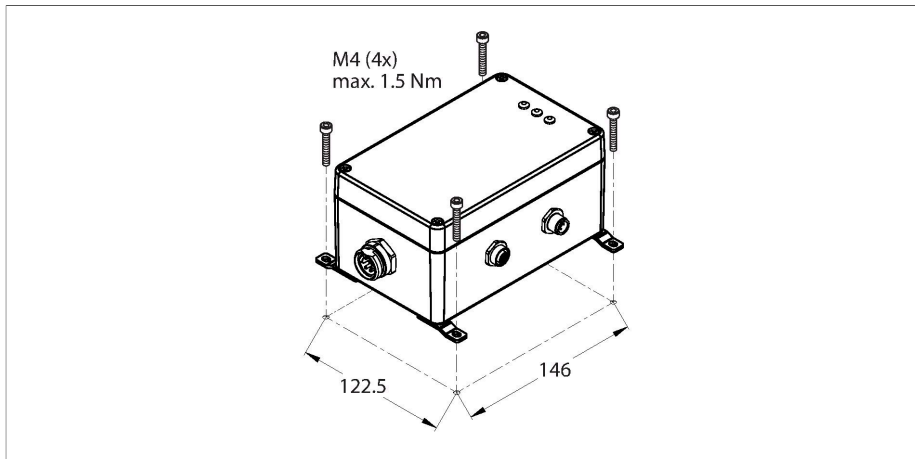


TBSB-L4-CS09

Machine Safety – Switch Box for Disconnecting the Actuator Voltage V 2



Features

- Die-cast aluminum housing
- 7/8" males, 4-pin, for power supply
- Electromechanical switch-off box
- Voltage V2 disconnected by external safety module via M12 input
- Feedback circuit for monitoring by external safety module via M12 output
- Disconnection up to PLe in accordance with EN ISO 13849-1 possible

Technical data

| | |
|--------------------------------------|-------------------------------------------------|
| Type | TBSB-L4-CS09 |
| ID no. | 100003273 |
| Function | for RFID safety switches |
| Ambient temperature | -25...+40 °C |
| Protection class | IP65 |
| Vibration resistance | acc. to EN 60068-2-6 Acceleration up to 20 g |
| Shock test | acc. to EN 60068-2-27 |
| Approvals | CE |
| Safety Data | |
| PL acc. to DIN EN 13849-1:2008 | e |
| Category acc. to DIN EN 13849-1:2008 | 4 |
| SIL according IEC 61508 | 3 |
| Useful Lifetime | 20 years |