

CA-16S1NA22S00 - Device connector front mounting



1619923

<https://www.phoenixcontact.com/gb/products/1619923>

Please be informed that the data shown in this PDF document is generated from our online catalog. Please find the complete data in the user documentation. Our general terms of use for downloads are valid.



M23, Device connector front mounting, series: CA, straight, shielded: yes, for standard and SPEEDCON interlock, No. of pos.: 16, Direction of rotation: Standard, contact connection type: Socket, Solder-in connection, Flat gasket, 4x Ø 3.2, flange dimensions: 25 mm x 25 mm, coding: N, Alternative product in accordance with RoHS II without Exemption 6c (Pb < 0.1 %) item no.: 1243898

Your advantages

- Safe use in the field, thanks to high degree of protection
- Consistent EMC protection for reliable transmission of signals
- Easy device integration: solder-in contacts available in different lengths

Commercial data

Item number	1619923
Packing unit	1 pc
Minimum order quantity	1 pc
Note	Made to order (non-returnable)
Sales key	ABRAEL
Product key	ABRAEL
GTIN	4046356820479
Weight per piece (including packing)	27.7 g
Weight per piece (excluding packing)	27.7 g
Customs tariff number	85366990
Country of origin	DE

CA-16S1NA22S00 - Device connector front mounting



1619923

<https://www.phoenixcontact.com/gb/products/1619923>

Technical data

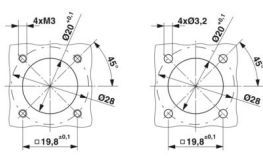
Product properties

Product type	Circular connectors (device side)
--------------	-----------------------------------

Data management status

Article revision	06
------------------	----

Dimensions

Dimensional drawing	
Length of the solder pin	10 mm
	10 mm

Connector

Insulating body

Coding	N
Insulation body material	PBT
Contact material	CuZn
Contact surface material	Ni/Au
Connection method	Solder-in connection
Contact switching type	Socket
Application	Signal
Number of positions	16
Direction of rotation	Standard
Connection profile	16
Contact diameter Power contacts	1 mm
Rated current Power contacts	8 A
Rated surge voltage	1.5 kV
Overvoltage category	III
Degree of pollution	3

Housing

Housing material	GD-Zn
Flange dimensions	25 mm x 25 mm
Type of locking	for standard and SPEEDCON interlock
Pg screw connection	none
Degree of protection (plugged in)	IP67
Thread type	M23

CA-16S1NA22S00 - Device connector front mounting



1619923

<https://www.phoenixcontact.com/gb/products/1619923>

Environmental and real-life conditions

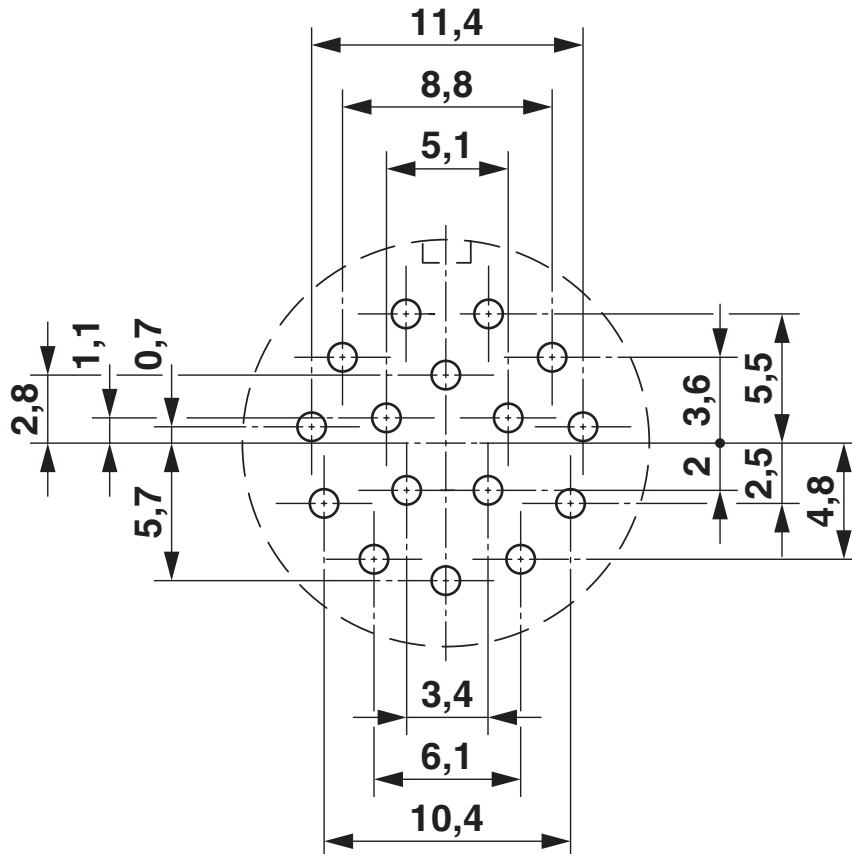
Ambient conditions

Ambient temperature (operation)

-40 °C ... 125 °C

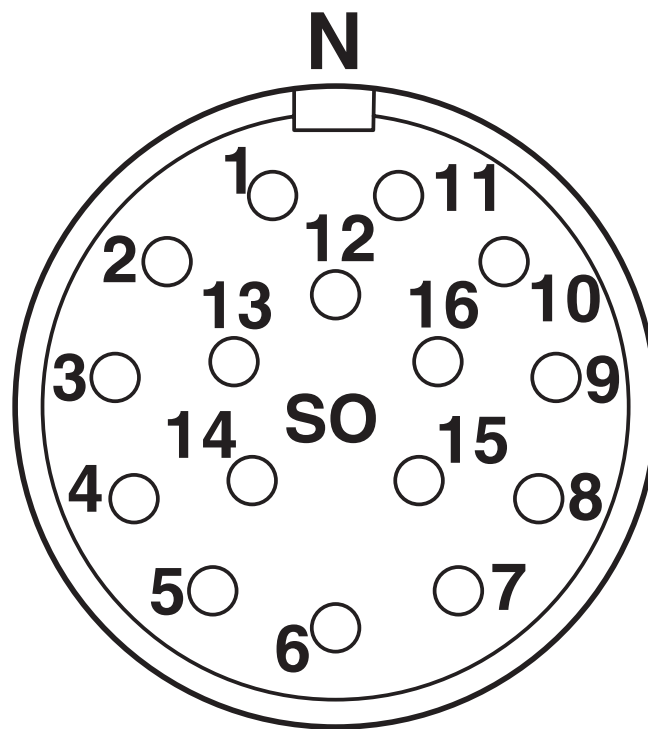
Drawings

Drilling plan/solder pad geometry



16-pos.

Schematic diagram



Connector pin assignment

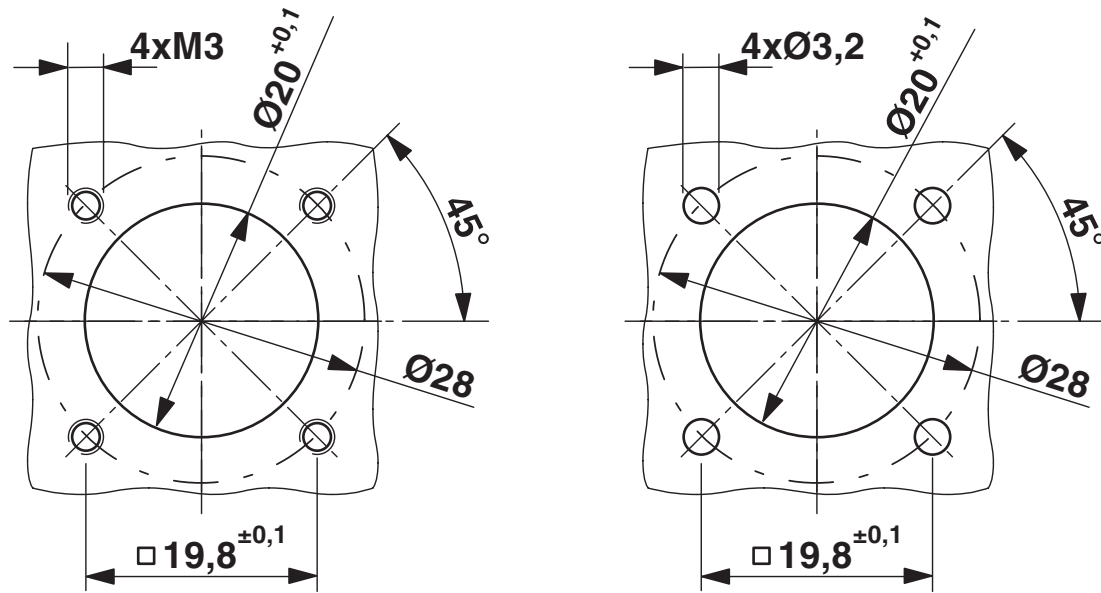
CA-16S1NA22S00 - Device connector front mounting



1619923

<https://www.phoenixcontact.com/gb/products/1619923>

Dimensional drawing



Installation dimensions

CA-16S1NA22S00 - Device connector front mounting





1619923

<https://www.phoenixcontact.com/gb/products/1619923>

Approvals

To download certificates, visit the product detail page: <https://www.phoenixcontact.com/gb/products/1619923>

 cUL Recognized Approval ID: E335019-20141210				
	Nominal voltage U_N	Nominal current I_N	Cross section AWG	Cross section mm^2
	48 V	5 A	18 - 18	-

 UL Recognized Approval ID: E335019-20141210				
	Nominal voltage U_N	Nominal current I_N	Cross section AWG	Cross section mm^2
	48 V	8 A	18 - 18	-

cULus Recognized				
-------------------------	--	--	--	--

CA-16S1NA22S00 - Device connector front mounting



1619923

<https://www.phoenixcontact.com/gb/products/1619923>

Classifications

ECLASS

ECLASS-11.0	27440102
ECLASS-12.0	27440116
ECLASS-13.0	27440116

ETIM

ETIM 9.0	EC002635
----------	----------

UNSPSC

UNSPSC 21.0	39121400
-------------	----------

1619923

<https://www.phoenixcontact.com/gb/products/1619923>

Environmental product compliance

EU RoHS

Fulfills EU RoHS substance requirements	Yes
Exemption	6(c)

China RoHS

Environment friendly use period (EFUP)	EFUP-50
	An article-related China RoHS declaration table can be found in the download area for the respective article under "Manufacturer declaration". For all articles with EFUP-E, no China RoHS declaration table issued and required.

EU REACH SVHC

REACH candidate substance (CAS No.)	Lead(CAS: 7439-92-1)
SCIP	f8a5213b-f9ae-413d-980e-40e3da56f07b

Phoenix Contact 2024 © - all rights reserved

<https://www.phoenixcontact.com>

PHOENIX CONTACT Ltd
Halesfield 13, Telford
Shropshire, TF7 4PG
01952 681700
info@phoenixcontact.co.uk