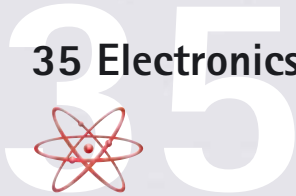


35 Electronics Pliers



DIN ISO 9655

- ▶ precision pliers for ultra fine assembly work, e. g. in electronics and fine mechanics
- ▶ for gripping, holding and bending
- ▶ precision box joint
- ▶ smooth ground gripping surfaces
- ▶ edges carefully deburred
- ▶ low-friction double spring for gentle and even opening
- ▶ the polish or mirror polish (only finish 2) together with a fine film of oil offer the best possible rust protection – no circuit faults caused by peeling chrome from plated tools
- ▶ special tool steel, oil-hardened and tempered

KNIPEX
special

In the design of KNIPEX Electronics Pliers for gripping and cutting ergonomic criteria have been given particular attention. The result is a comfortable and user friendly adaptation of the plier to the human hand.

35 12 115



Style 1: flat, wide jaws



35 22 115



Style 2: half-round jaws



35 32 115



Style 3: round, pointed jaws



35 42 115



Style 4: 45° bent, half-round jaws



35 52 145



Style 5: long, trapezoidal jaws



35 62 145



Style 6: half-round, long jaws



35 72 145



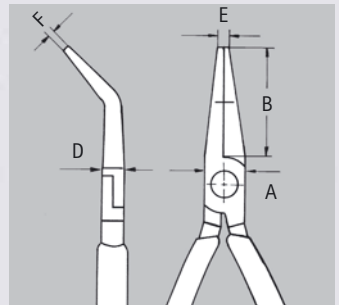
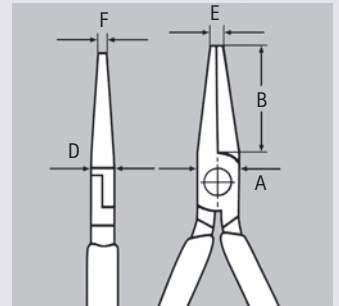
Style 7: round, long jaws



35 82 145



Style 8: 45° bent, half-round, long jaws



Article-No.	EAN-Code	Style	Head	Handles	Dimensions					g
					B	A	D	E	F	
35 11 115	016694	1	polished	plastic coated	22.5	9.5	6.5	2.0	4.0	60
35 12 115	035107	1	mirror polished	with two-colour dual component handles	22.5	9.5	6.5	2.0	4.0	75
35 21 115	016724	2	polished	plastic coated	22.5	9.5	6.5	2.0	1.5	55
35 22 115	035114	2	mirror polished	with two-colour dual component handles	22.5	9.5	6.5	2.0	1.5	70
35 31 115	016762	3	polished	plastic coated	22.5	9.5	6.5	2.0	1.0	50
35 32 115	035121	3	mirror polished	with two-colour dual component handles	22.5	9.5	6.5	2.0	1.0	60
35 42 115	040736	4	mirror polished	with two-colour dual component handles	22.5	9.5	6.5	2.0	1.5	75
35 52 145	039389	5	mirror polished	with two-colour dual component handles	40.0	12.0	7.5	1.5	4.0	105
35 62 145	039556	6	mirror polished	with two-colour dual component handles	40.0	12.0	7.5	2.5	1.5	95
35 72 145	043607	7	mirror polished	with two-colour dual component handles	40.0	12.0	7.5	2.5	1.3	90
35 82 145	039396	8	mirror polished	with two-colour dual component handles	35.0	12.0	7.5	2.5	1.0	95