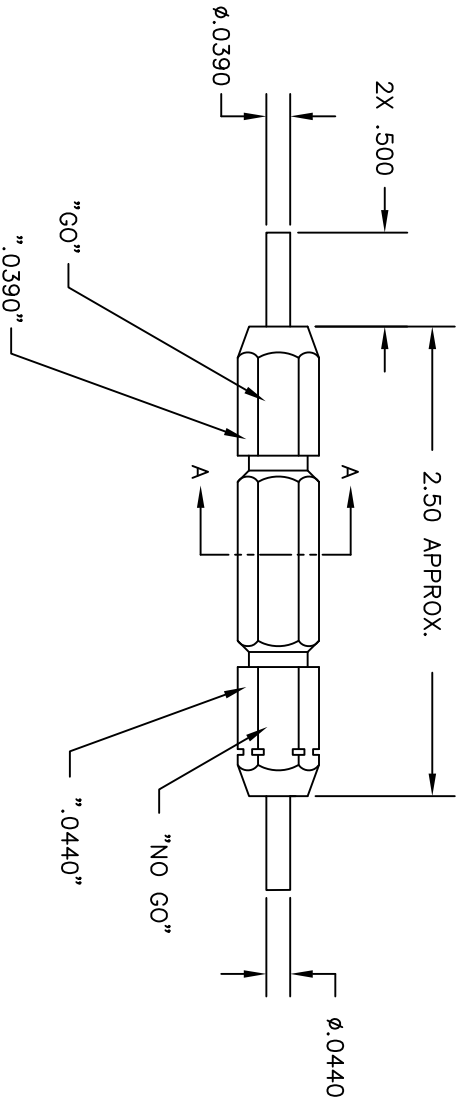


REVISIONS			
REV. SYML	E.C.O. NUMBER	DESCRIPTION	BY DATE
2		ADDED MIL # IN TITLE BLOCK	JMM 1/30/07 RRR 1/30/07

"M22520/3-1"
 "DANIELS-USA G125"
 "CAGE 11851"
 "DO NOT CRIMP"
 "GAGE"
 "USE SEL. 4 FOR M22520/1-01"
 "USE SEL. 8 FOR M22520/2-01"

SECTION A-A



**UNCONTROLLED DOCUMENT
 WILL NOT BE UPDATED**

RESTRICTED & CONFIDENTIAL <small>CONFIDENTIAL PROPERTY OF DANIELS MANUFACTURING CORP. THIS DRAWING IS NOT TO BE REPRODUCED OR USED FOR ANY OTHER PURPOSE, EXCEPT AS AUTHORIZED IN WRITING BY DANIELS MANUFACTURING. MUST BE RETURNED TO DANIELS MANUFACTURING UPON COMPLETION OF ORDER OR PURCHASE FOR WHICH LENT.</small>		MATERIAL		ITEM		PART NO.		DESCRIPTION/REMARKS	
HEAT TREAT		FINISH		DRN. J. JOYCE	DATE 11/10/99	DANIELS MANUFACTURING CORP. ORLANDO, FLORIDA CAGE 11851		GO/NO-GO GAGE (M22520/3-1) ENVELOPE DRAWING	
APP'D.		APP'D.		CHK'D. RRR	DATE 11/10/99	TITLE		WHERE USED:	
NOTE: THIS DRAWING IS AN OUTLINE DRAWING OF THE RESPECTIVE DIMENSIONS. ACTUAL DIMS INDICATED BY DIMENSIONS. PART NUMBER WITHOUT THE "ENV" SUFFIX.		NOTE: THIS DRAWING IS AN OUTLINE DRAWING OF THE RESPECTIVE DIMENSIONS. ACTUAL DIMS INDICATED BY DIMENSIONS. PART NUMBER WITHOUT THE "ENV" SUFFIX.		DATE		SIZE B		CAD P/N G125-ENV	
DO NOT SCALE DRAWING		DO NOT SCALE DRAWING		DATE		SCALE NTS		SHEET 1 OF 1	
				DATE		POSTING		DMG. NO. G125-ENV	
				DATE				REV. 2	