

## Embedded Solutions



### SATA III M.2 SSDs

## MTS800 & MTS800I

Transcend's MTS800 with SATA III 6Gb/s interface and ultra compact dimensions make it best suited to address the high-performance needs and strict size limitations of small form factor devices. This means it is perfect for use in today's modern ultrabooks, thin and light notebooks, and tablets. Built with the latest SATA III 6Gb/s specifications, and with a powerful controller and exceptional transfer speeds, the M.2 SSD easily handles everyday computing tasks as well as demanding multimedia applications.

Transcend also offers the MTS800I with wide temperature (-40°C ~ 85°C) capabilities to ensure sustained functionality, enhanced endurance and optimal reliability in mission-critical applications.

### Hardware Features

- Compliant with RoHS 2.0 standards
- Promised operational reliability in a wide temperature range (from -40°C to 85°C)
- Space-saving M.2 form factor (80mm) – ideal for mobile computing devices
- DDR3 DRAM Cache embedded
- MLC NAND flash

### Firmware Features

- Advanced Global Wear-Leveling and Block management for reliability
- Advanced Garbage Collection
- Enhanced S.M.A.R.T. function for durability
- Power-saving DevSleep (Device Sleep) mode
- Built-in BCH ECC (Error Correction Code) functionality

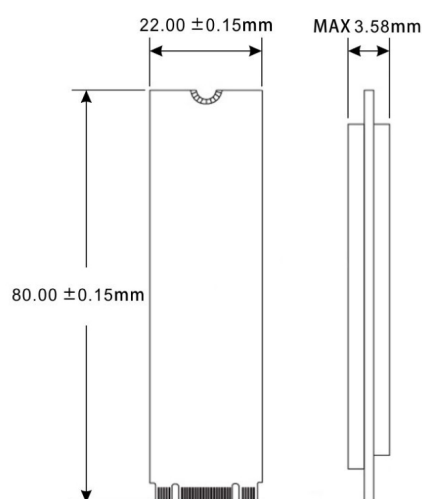
### Ordering Information

16GB	TS16GMTS800I
32GB	TS32GMTS800 TS32GMTS800I
64GB	TS64GMTS800 TS64GMTS800I
128GB	TS128GMTS800 TS128GMTS800I
256GB	TS256GMTS800 TS256GMTS800I
512GB	TS512GMTS800 TS512GMTS800I
1TB	TS1TMTS800

## Specifications

<b>Appearance</b>	Dimensions	80.0 mm x 22.0 mm x 3.58 mm (3.15" x 0.87" x 0.14")
	Weight	9 g (0.32 oz)
	Form Factor	M.2
	M.2 Type	2280-D2-B-M (Double-sided)
<b>Interface</b>	Bus Interface	SATA III 6Gb/s
<b>Storage</b>	Flash Type	MLC NAND flash
	Capacity	16 GB / 32 GB / 64 GB / 128 GB / 256 GB / 512 GB / 1 TB
<b>Operating Environment</b>	Operating Voltage	3.3V±5%
	Operating Temperature	Standard 0°C (32°F) ~ 70°C (158°F)
		Wide Temp. -40°C (-40°F) ~ 85°C (185°F)
	Storage Temperature	-40°C (-40°F) ~ 85°C (185°F)
	Humidity	0% ~ 95%
	Shock	1500 G, 0.5 ms, 3 axis
	Vibration (Operating)	20 G (peak-to-peak), 7 Hz ~ 2000 Hz (frequency)
<b>Power</b>	Power Consumption (Operation)	2.64 watt(s)
	Power Consumption (Sleep)	0.41 watt(s)
<b>Performance</b>	Sequential Read/Write (CrystalDiskMark, max.)	Read: up to 530 MB/s Write: up to 460 MB/s
	4K Random Read/Write (IOmeter, max.)	Read: up to 75,000 IOPS Write: up to 75,000 IOPS
	Mean Time Between Failures (MTBF)	2,500,000 hour(s)
	Terabytes Written (Max.)	2,360 TBW
	Drive Writes Per Day (DWPD)	2.6 (3 yrs)
<b>Warranty</b>	Certificate	CE / FCC / BSMI
	Warranty	Three-year Limited Warranty

## Mechanical Dimensions



Product specifications are subject to change without notice. Pictures shown may differ from actual products. Total accessible capacity varies depending on operating environment. Due to the complexity and variety of industrial applications, Transcend cannot guarantee 100% compatibility with all platforms and under all scenarios. For special applications and environments, it is strongly suggested that you contact Transcend beforehand for clarification.