



Product designation				Changeover Switch
Product type designation				GLC UL
Number of poles		Nr.		3
Operating voltage type				AC
Contact characteristics				
IEC Conventional free air thermal current $I_{th} \leq 40^\circ\text{C}$		A		200
Rated insulation voltage U_i IEC/EN		V		1000
Rated impulse withstand voltage U_{imp}		kV		12
Operating current I_e				
	AC-31B			
		400V	A	200
		500V	A	200
		690V	A	200
	AC-32B			
		400V	A	200
		500V	A	200
		690V	A	200
	AC-33B			
		400V	A	200
		500V	A	200
		690V	A	200
Power dissipation per pole max		W		4
Rated operational power AC23A				
		400V	kW	110
		690V	kW	200
Rated short time current (1s) I_{cw} (rms)		kA		6
Rated short time current (0.3s) I_{cw} (rms)		kA		12
Conditional short-circuit current (rms)		kA		100
Short-circuit protection with fuse		Class/A		J/200
Making capacity AC23A 400V		A		2000
Breaking capacity AC23A 400V		A		1600
Mechanical life		cycles		20000
Mechanical features				
Operating position		normal allowable		Vertical plan Any
Fixing				Screw
Terminals		type		M8 x 20
Tightening torque for terminals				
		min	Nm	15
		max	Nm	22
		min	lbin	132
		max	lbin	194

Conductor section

IEC min	mm ²	70
IEC max	mm ²	85
AWG/kcmil min		00
AWG/kcmil max	kcmil	400

UL technical data

UL Standard	UL1008	
General purpose current rating	A	200
Operating voltage max	V	600
Horsepower/FLA current three phase motor	240V	HP/A 75/192
	480V	HP/A 150/180
	600V	HP/A 200/192
Short circuit rating	kA rms	200
Short circuit rating with fuse	Class/A	J/200
UL Terminal kit lugs	GLX500 - GLX501	

Minimum enclosure dimensions at rated current

mm	mm	400 x 250 x 150
in	in	15.8 x 9.9 x 5.9

Ambient conditions

Operating temperature

min	°C	-25
max	°C	+55

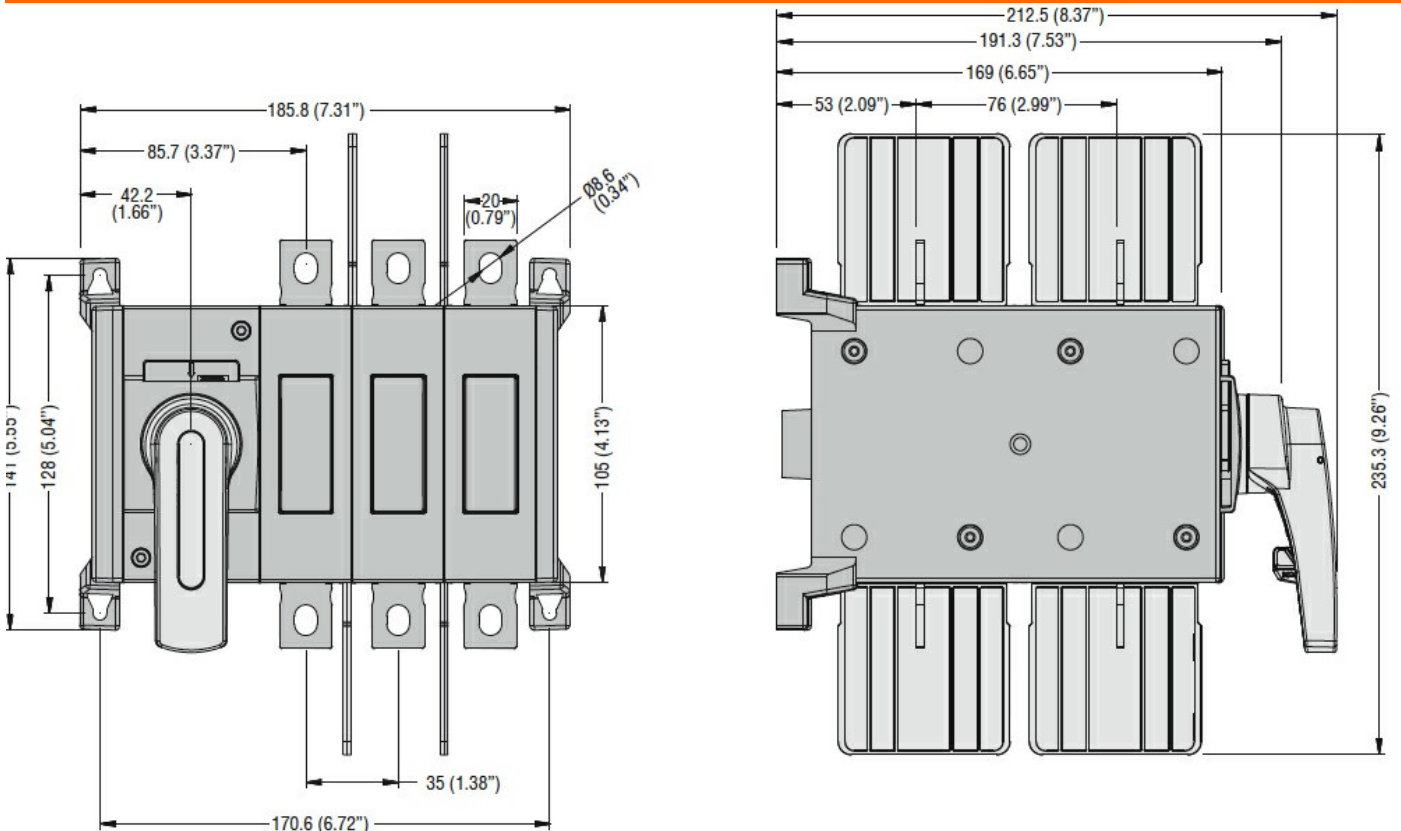
Storage temperature

min	°C	-40
max	°C	+70

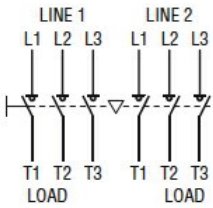
Max altitude

m	3000
---	------

Dimensions



Wiring diagrams



Certifications and compliance

Compliance

IEC/EN 60947-1
IEC/EN 60947-3
IEC/EN 60947-6-1

Certifications

cULus

ETIM classification

ETIM 8.0

EC000216 -
 Switch
 disconnecter