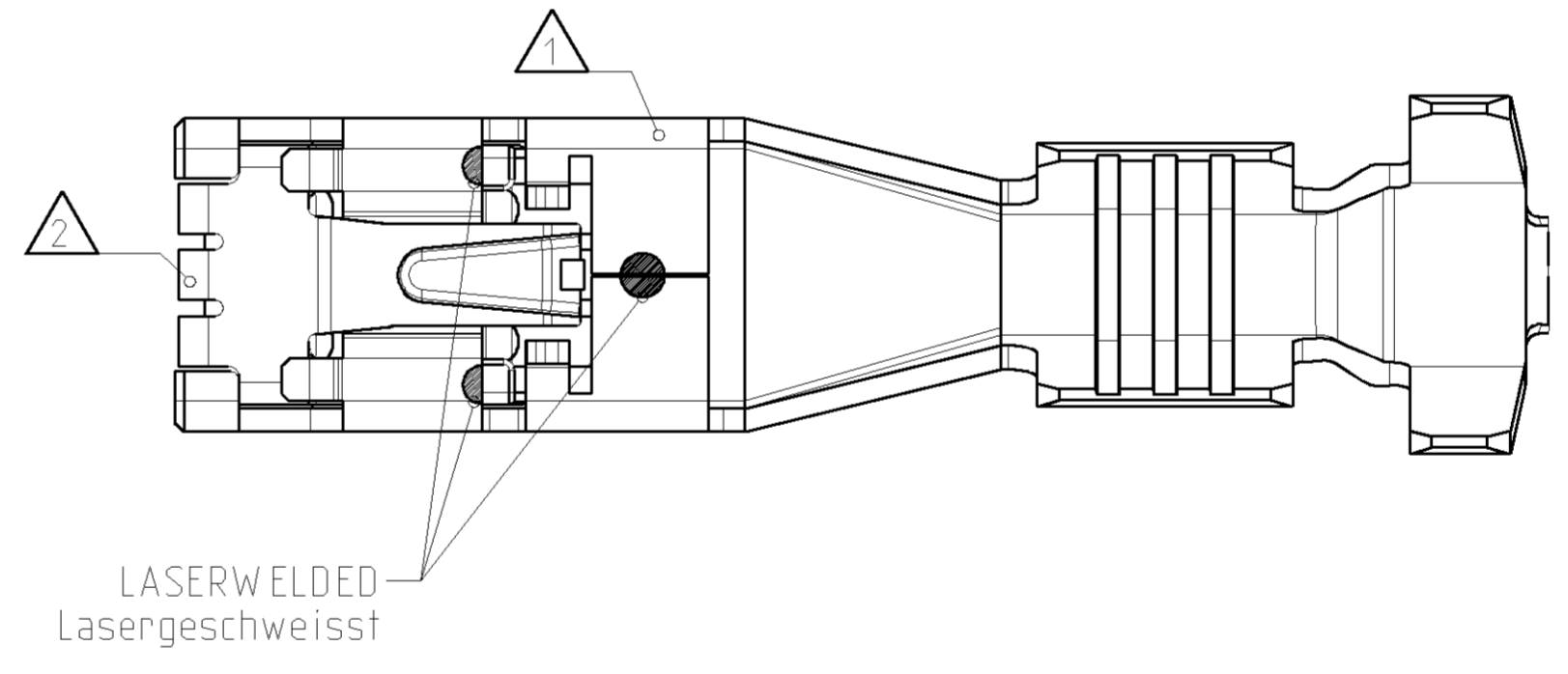
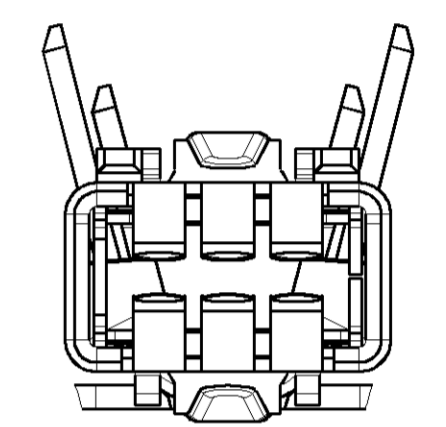
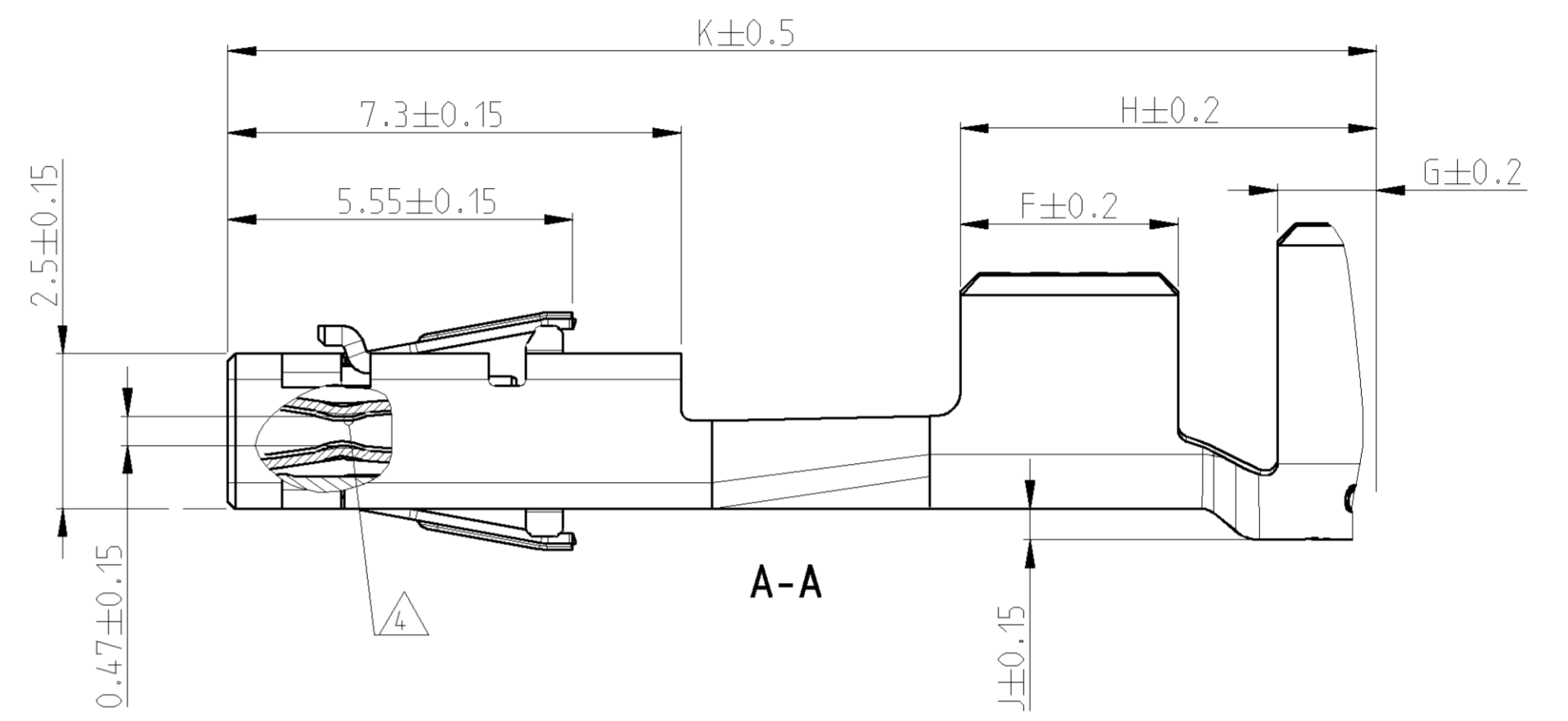
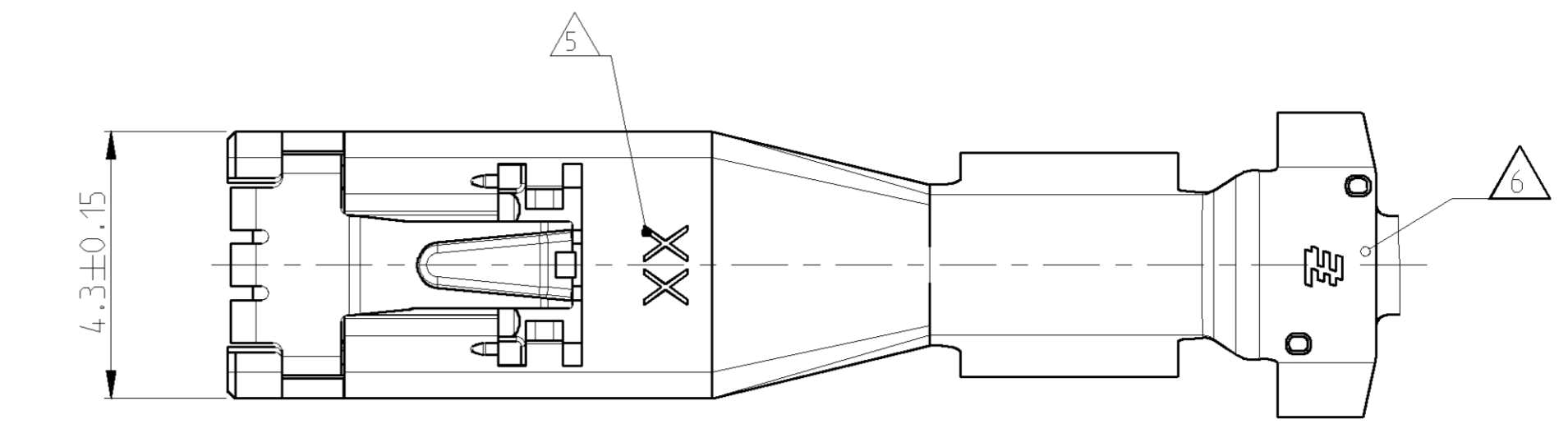
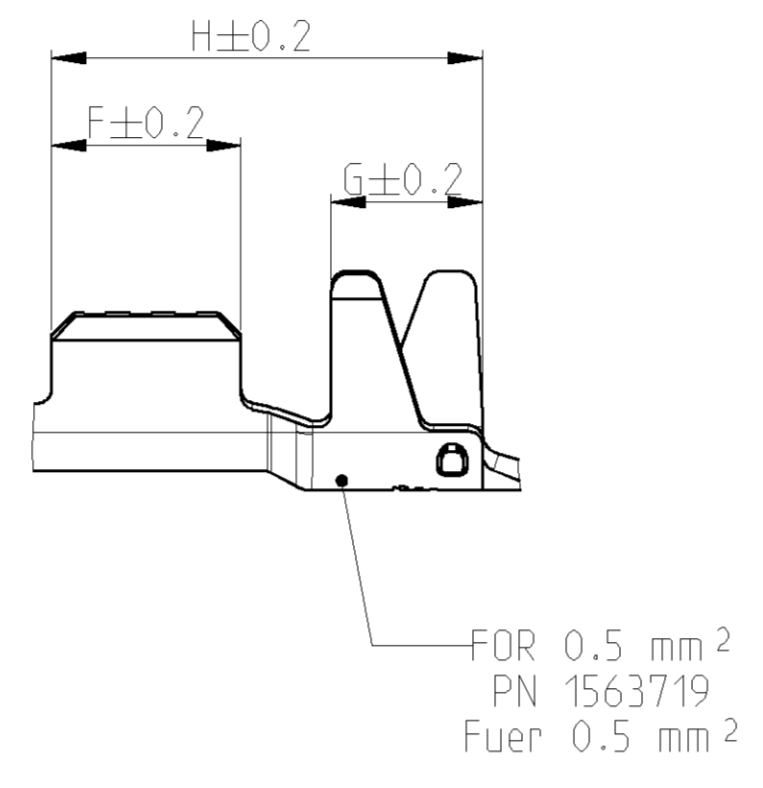
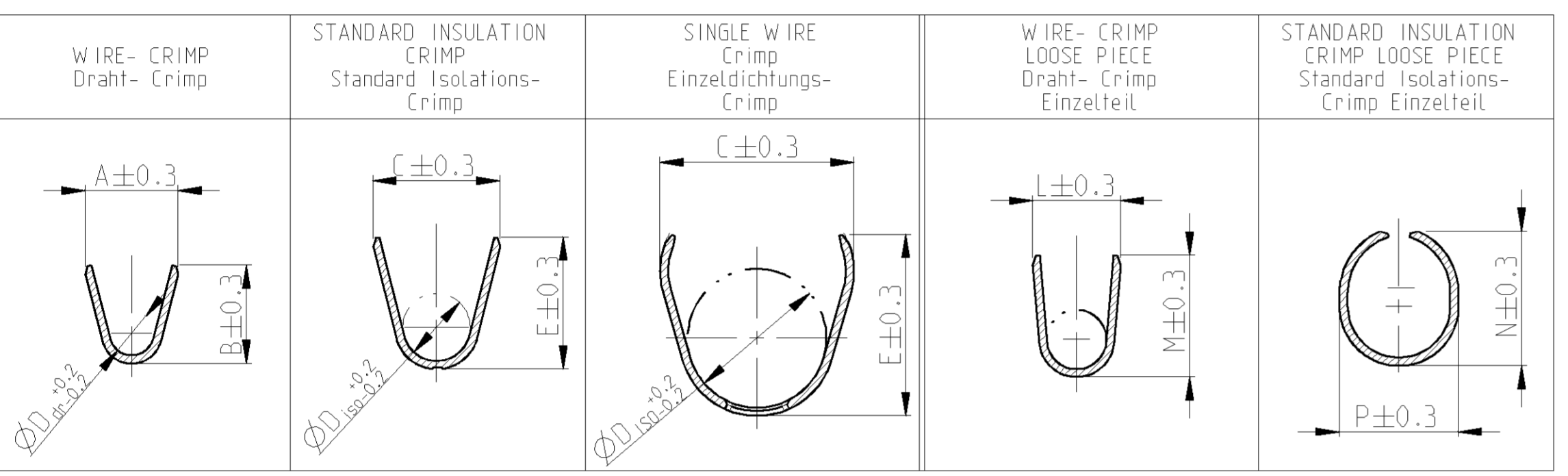


LOC	DIST	REV	DATE	OWN	APPV
A1	-	B3	19MAY2008	WD	WM
		B4	18JUL2008	WD	WM
		B5	08SEP2009	SG	WD
		B6	03MAY2011	Kirs.	Merz

NOTES
Bemerkungen

1 BODY Kontaktkoerper
2 SPRING Kontaktfeder
3 FOR FLR-WIRE SEE DIN 72551, PART 6 Fuer FLR-Leitung nach DIN 72551, Teil 6
4 SURFACE
a) BODY -PRE TIN 1 TO 3 µm
b) SPRING -PRE TIN SnAg 1 TO 3 µm -GOLD PLATED MIN. µm (only contact area) -SILVER PLATED 2 TO 4 µm (only contact area)
Oberflaeche
a) Kontaktkoerper -verzinkt 1 bis 3 µm
b) Kontaktfeder -verzinkt SnAg 1 bis 3 µm -galv. vergoldet min. µm (nur Kontaktzone) -galv. versilbert 2 bis 4 µm (nur Kontaktzone)
5 STAMPED INDICATOR FOR PLATING
- AU GOLD PLATING
- AG SILVER PLATING
- TIN PLATING WITHOUT INDICATOR
Markierung fuer galvanische Ausfuehrung:
- AU vergoldet
- AG versilbert
- verzinkt: ohne Markierung

6 TE LOGO REVISION STATUS DATE CODE
7 Mating PART SEE INTERFACE DRAWING 114-18230-002 Gegenstecker nach Ausfuehrungsvorschrift



VERSION / Ausfuehrung	TE ORDER-NO. STRIP FORM	Rev.	TE ORDER-NO. LOOSE PIECE	REV.	BODY Kontaktkoerper	SPRING Kontaktfeder	BODY Kontaktkoerper	SPRING Kontaktfeder	WIRE RANGE	WIRE CRIMP				ISOLATION CRIMP				Øxxx (mm)	BLINDPLUG ORDER NO. Blindstopfen Bestell-Nr.							
										A	B	D _{Dr}	C	E	D _{ISO}	L	M			P	N	F	G	H	J	K
SINGLE WIRE SEAL / Einzeldichtung	1563935-3	A	1563936-3	A	CuSn0.15	CuNi3Si1Mg	TIN PLATED verzinkt	SILVER PLATED versilbert	0.5	2.3	2.3	1.0	5.5	5.9	3.3	2.0	2.3	2.5	2.5	3.0	2.4	7.8	0.8	19.0	828904-1 (Ø5.0)	828 922-1
	1563935-1	A	1563936-1	A	C 14415	C 70250	TIN PLATED verzinkt	GOLD PLATED vergoldet	0.75-1	2.5	2.7	1.2	5.5	5.9	3.3	2.2	2.7	2.6	2.5	3.0	2.4	7.8	0.8	19.0	828904-1 (Ø5.0)	
	1670802-3	B	1670803-3	B	CuSn0.15	CuNi3Si1Mg	TIN PLATED verzinkt	SILVER PLATED versilbert	>1-2.5	3.6	3.8	1.7	5.7	6.1	3.5	3.1	3.6	3.6	3.2	3.5	2.4	8.3	0.8	19.0	828905-1 (Ø5.0)	
	1670802-1	B	1670803-1	B	C 14415	C 70250	TIN PLATED verzinkt	GOLD PLATED vergoldet	>2.5-4	4.5	4.7	2.3	6.9	7.0	4.5	3.4	3.7	3.6	3.6	4.3	2.6	9.5	1.25	20.0	828985-1 (Ø6.4)	
	1670804-3	B	1670805-3	B	CuSn0.15	CuNi3Si1Mg	TIN PLATED verzinkt	SILVER PLATED versilbert	0.2-0.35	2.1	2.1	0.8	2.9	2.9	1.4	1.7	2.1	2.5	2.5	2.5	2.0	5.7	0.25	17.5	-	
	1670804-1	B	1670805-1	B	C 14415	C 70250	TIN PLATED verzinkt	GOLD PLATED vergoldet	0.5	2.3	2.3	1.0	2.9	2.9	1.4	2.0	2.3	2.5	2.5	3.0	2.0	6.2	0.25	17.5	-	
	1670806-3	B	1670807-3	B	CuSn0.15	CuNi3Si1Mg	TIN PLATED verzinkt	SILVER PLATED versilbert	0.75-1	2.5	2.7	1.2	3.7	3.9	1.8	2.2	2.7	2.8	3.4	3.0	1.6	6.2	0.25	18	-	
	1670806-1	B	1670807-1	B	C 14415	C 70250	TIN PLATED verzinkt	GOLD PLATED vergoldet	>1-2.5	3.6	3.8	1.7	4.9	5.1	2.6	3.1	3.8	3.9	4.4	3.5	1.6	6.7	0.5	18.5	-	
STANDARD CRIMP	1719836-3	B	1719837-3	B	CuSn0.15	CuNi3Si1Mg	TIN PLATED verzinkt	SILVER PLATED versilbert	>2.5-4	4.5	4.7	2.3	5.8	6.0	3.3	3.4	4.7	4.6	5.2	4.3	1.9	8.1	0.8	19	-	
	1719836-1	B	1719837-1	B	C 14415	C 70250	TIN PLATED verzinkt	GOLD PLATED vergoldet																		
	1563719-3		1563720-3		CuSn0.15	CuNi3Si1Mg	TIN PLATED verzinkt	SILVER PLATED versilbert																		
	1563719-1		1563720-1		C 14415	C 70250	TIN PLATED verzinkt	GOLD PLATED vergoldet																		
TE ORDER-NO. STRIP FORM	Bestell-Nr. Bandware	Rev.	Bestell-Nr. Einzel-ausfuehrung	REV.	MATERIAL Werkstoff	SURFACE Oberflaeche																				

STANDARD CRIMP

CRIMP FOR SINGLE WIRE SEAL Crimp fuer Einzeldichtung

5:1

5:1

THIS DRAWING IS A CONTROLLED DOCUMENT. OWN: W. Dahms 15FEB2006
CHK: G. Hotea
APPV: W. Mueller

STE TE Connectivity

NAME: MCON-2.8-RECEPTACLE
MCON-2.8-Kontaktbuchse
Produktgruppenzeichnung Kontaktbuchse

SIZE: 114-18230-002
DRAWING NO: 114-18230-002
WEIGHT: 0.58 g
SCALE: 10:1

RESTRICTED TO: REV. B6