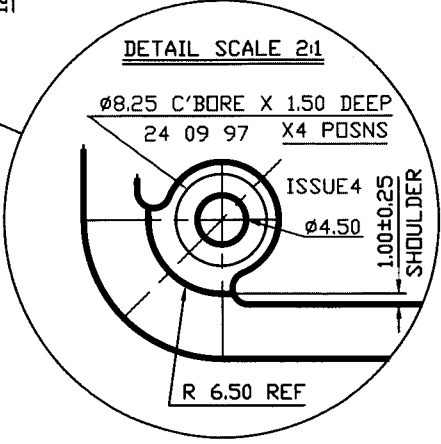
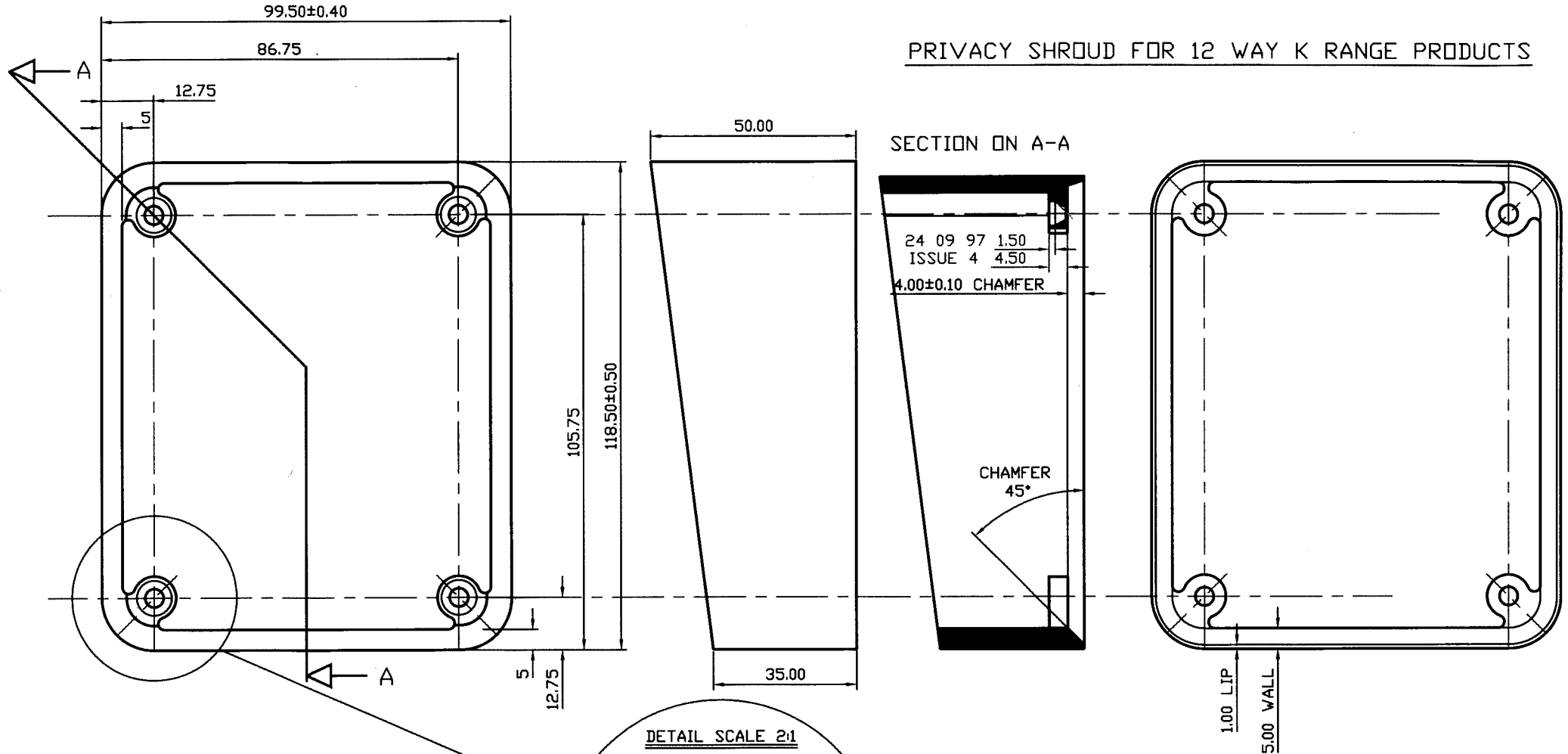


PRIVACY SHROUD FOR 12 WAY K RANGE PRODUCTS



GENERAL WALL SECTION 5.00mm
 TOLERANCE ±0.50 ON LARGEST DIMENSION

MATERIAL - EXTRUDED ALUMINIUM.
 SATIN BLACK POWDER COAT FINISH
 SUITABLE FOR CONTINUOUS OUTDOOR
 USE
 COMPONENT TO BE FREE OF FLASH, BURRS OR OTHER
 SURFACE DEFECTS.

VERTICAL AND PARALLEL TOLERANCE ±0.25°

1KFS0201