

PL-T MASTER PL-T 4 Pin



Product Description

- Energy saving compact fluorescent lamp
- Compact long-arc low-pressure mercury discharge lamp
- Envelope consists of 6 parallel narrow fluorescent tubes

Product Features

- 4-pin base without glow switch starter and capacitor
- Fast light run up under all circumstances
- Philips invented bridge technology applied
- Dimming is possible

Product Benefits

- Optimal light performance for short or long operation per switch on

- More light (about 15% more) per light point than common
- Long life and sustainable light output

Environment

- Good environmental choice because of high energy efficiency, long life and low light output depreciation, lowest mercury content
- Compliant with all RoHS and WEEE requirements: the lamps have a very low content of mercury, are lead free and make no use of radioactive materials and hazardous flame retardants

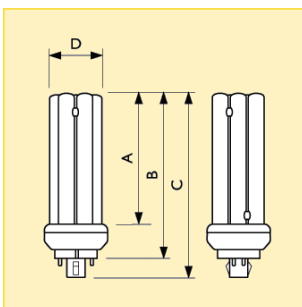
Application

- Designed for general or supplementary lighting in professional and semi-professional environments
- Ideal for use in recessed or surface mounted downlighters, wall units, outdoor lighting
- Best choice for short switching cycles, emergency lighting and deep dimming

System

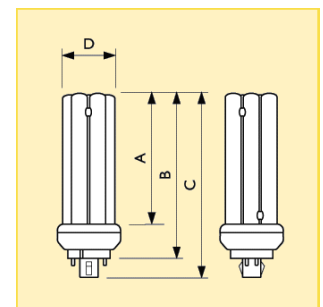
- For use with HF electronic gear enabling controllable light output and high independence of mains supply variations

Type	Commercial product name			Cap/Base	Luminous Flux Lamp Electronic (lm)	Colour Rendering Index (Ra)	Energy Efficiency Label	Life to 50% failures Preheat Electronic (h)	Dim. no.	Photo letter	Ordering number
	Wattage/Colour designation	Packing type	Packing configuration								
MASTER PL-T	13W/827/4P	1CT	5X10BOX	GX24q-1	900	82	A	13000	1	B	8711500... 599760 70
MASTER PL-T	13W/830/4P	1CT	5X10BOX	GX24q-1	900	82	A	13000	1	B	610447 70
MASTER PL-T	13W/840/4P	1CT	5X10BOX	GX24q-1	900	82	A	13000	1	B	610478 70
MASTER PL-T	18W/827/4P	1CT	5X10BOX	GX24q-2	1200	82	B	13000	2	C	599821 70
MASTER PL-T	18W/830/4P	1CT	5X10BOX	GX24q-2	1200	82	B	13000	2	C	610768 70
MASTER PL-T	18W/840/4P	1CT	5X10BOX	GX24q-2	1200	82	B	13000	2	C	610997 70
MASTER PL-T	26W/827/4P	1CT	5X10BOX	GX24q-3	1800	82	B	13000	3	D	599937 70
MASTER PL-T	26W/830/4P	1CT	5X10BOX	GX24q-3	1800	82	B	13000	3	D	611208 70
MASTER PL-T	26W/840/4P	1CT	5X10BOX	GX24q-3	1800	82	B	13000	3	D	611253 70
MASTER PL-T	32W/827/4P	1CT	5X10BOX	GX24q-3	2400	82	B	13000	4	E	599968 70
MASTER PL-T	32W/830/4P	1CT	5X10BOX	GX24q-3	2400	82	B	13000	4	E	611284 70
MASTER PL-T	32W/840/4P	1CT	5X10BOX	GX24q-3	2400	82	B	13000	4	E	611314 70
MASTER PL-T	42W/827/4P	1CT	5X10BOX	GX24q-4	3200	82	B	13000	5	A	560025 70
MASTER PL-T	42W/830/4P	1CT	5X10BOX	GX24q-4	3200	82	B	13000	5	A	611345 70
MASTER PL-T	42W/840/4P	1CT	5X10BOX	GX24q-4	3200	82	B	13000	5	A	611376 70
MASTER PL-T	57W/827/4P	1CT	5X10BOX	GX24q-5	4300	82	B	13000	6	F	560056 70
MASTER PL-T	57W/830/4P	1CT	5X10BOX	GX24q-5	4300	82	B	13000	6	F	611406 70
MASTER PL-T	57W/840/4P	1CT	5X10BOX	GX24q-5	4300	82	B	13000	6	F	611451 70



Dimensions (mm)

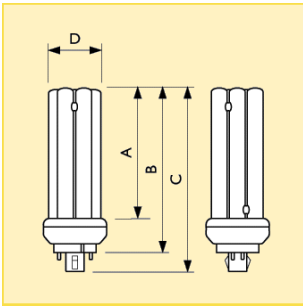
Dim. no.	A max.	B max.	C max.	D max.
1	66.7	91.0	106.7	41.0
6	157.7	182.0	197.7	41.0



Dimensions (mm)

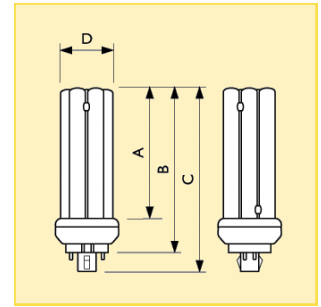
Dim. no.	A max.	B max.	C max.	D max.
2	71.7	96.0	111.7	41.0

PL-T MASTER PL-T 4 Pin



Dimensions (mm)

Dim. no.	A max.	B max.	C max.	D max.
3	86.7	111.0	126.7	41.0
4	98.7	123.0	138.7	41.0



Dimensions (mm)

Dim. no.	A max.	B max.	C max.	D max.
5	120.7	145.0	160.7	41.0

PL-T MASTER PL-T 4 Pin

Additional technical data

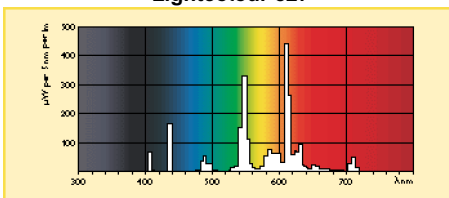
Product name	Colour Temperature (K)	Lamp Wattage Electronic (W)	Lamp Voltage Electronic (V)	Lamp Current Electronic (A)	Luminous Efficacy Lamp Electronic (lm/W)	Mercury (Hg) Content (mg)
MASTER PL-T 13W/827/4P	2700	12.5	77	0.165	72	1.4
MASTER PL-T 13W/830/4P	3000	12.5	77	0.165	72	1.4
MASTER PL-T 13W/840/4P	4000	12.5	77	0.165	72	1.4
MASTER PL-T 18W/827/4P	2700	16.5	80	0.210	73	1.4
MASTER PL-T 18W/830/4P	3000	16.5	80	0.210	73	1.4
MASTER PL-T 18W/840/4P	4000	16.5	80	0.210	73	1.4
MASTER PL-T 26W/827/4P	2700	24.0	80	0.300	75	1.4
MASTER PL-T 26W/830/4P	3000	24.0	80	0.300	75	1.4
MASTER PL-T 26W/840/4P	4000	24.0	80	0.300	75	1.4
MASTER PL-T 32W/827/4P	2700	32.0	101	0.320	75	1.4
MASTER PL-T 32W/830/4P	3000	32.0	101	0.320	75	1.4
MASTER PL-T 32W/840/4P	4000	32.0	101	0.320	75	1.4
MASTER PL-T 42W/827/4P	2700	43.0	135	0.320	74	1.4
MASTER PL-T 42W/830/4P	3000	43.0	135	0.320	74	1.4
MASTER PL-T 42W/840/4P	4000	43.0	135	0.320	74	1.4
MASTER PL-T 57W/827/4P	2700	56.0	175	0.320	75	1.4
MASTER PL-T 57W/830/4P	3000	56.0	175	0.320	75	1.4
MASTER PL-T 57W/840/4P	4000	56.0	175	0.320	75	1.4

Logistic data

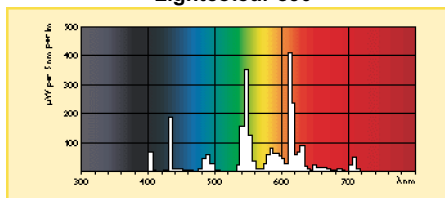
Product name	Packing type	Packing type description	Packs per outer box	Packing configuration	Quantity per pack	Packing length (mm)	Packing width (mm)	Packing height (mm)	Gross weight per piece (g)	Net weight per piece (g)
MASTER PL-T 13W/827/4P	1CT	1 Lamp in a Folding Carton	50	5X10BOX	1	571	273	141	84.2	56
MASTER PL-T 13W/830/4P	1CT	1 Lamp in a Folding Carton	50	5X10BOX	1	571	273	141	84.2	56
MASTER PL-T 13W/840/4P	1CT	1 Lamp in a Folding Carton	50	5X10BOX	1	571	273	141	84.2	56
MASTER PL-T 18W/827/4P	1CT	1 Lamp in a Folding Carton	50	5X10BOX	1	571	273	141	86.2	58
MASTER PL-T 18W/830/4P	1CT	1 Lamp in a Folding Carton	50	5X10BOX	1	571	273	141	86.2	58
MASTER PL-T 18W/840/4P	1CT	1 Lamp in a Folding Carton	50	5X10BOX	1	571	273	141	86.2	58
MASTER PL-T 26W/827/4P	1CT	1 Lamp in a Folding Carton	50	5X10BOX	1	571	273	154	94.3	64
MASTER PL-T 26W/830/4P	1CT	1 Lamp in a Folding Carton	50	5X10BOX	1	571	273	154	94.3	64
MASTER PL-T 26W/840/4P	1CT	1 Lamp in a Folding Carton	50	5X10BOX	1	571	273	154	94.3	64
MASTER PL-T 32W/827/4P	1CT	1 Lamp in a Folding Carton	50	5X10BOX	1	571	273	177	103.5	70
MASTER PL-T 32W/830/4P	1CT	1 Lamp in a Folding Carton	50	5X10BOX	1	571	273	177	103.5	70
MASTER PL-T 32W/840/4P	1CT	1 Lamp in a Folding Carton	50	5X10BOX	1	571	273	177	103.5	70
MASTER PL-T 42W/827/4P	1CT	1 Lamp in a Folding Carton	50	5X10BOX	1	571	273	195	119.0	83
MASTER PL-T 42W/830/4P	1CT	1 Lamp in a Folding Carton	50	5X10BOX	1	571	273	195	119.0	83
MASTER PL-T 42W/840/4P	1CT	1 Lamp in a Folding Carton	50	5X10BOX	1	571	273	195	119.0	83
MASTER PL-T 57W/827/4P	1CT	1 Lamp in a Folding Carton	50	5X10BOX	1	571	273	231	142.0	101
MASTER PL-T 57W/830/4P	1CT	1 Lamp in a Folding Carton	50	5X10BOX	1	571	273	231	142.0	101
MASTER PL-T 57W/840/4P	1CT	1 Lamp in a Folding Carton	50	5X10BOX	1	571	273	231	142.0	101

Spectral power distribution

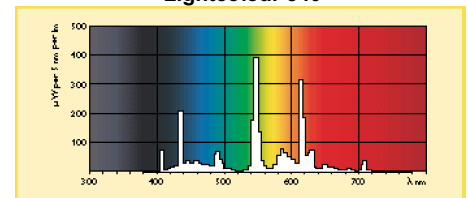
Lightcolour 827



Lightcolour 830

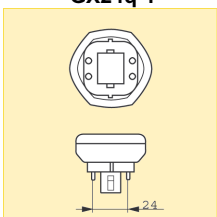


Lightcolour 840

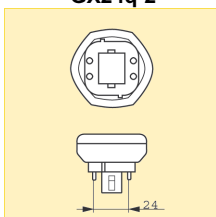


Cap/Base

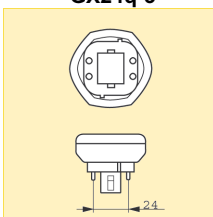
GX24q-1



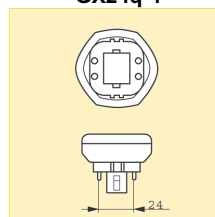
GX24q-2



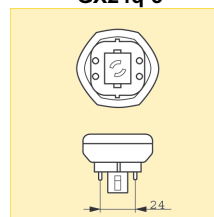
GX24q-3



GX24q-4



GX24q-5



PL-T MASTER PL-T 4 Pin

Additional extended technical data

Product name	Chromaticity Coordinate X	Chromaticity Coordinate Y	Colour Designation	Dimmable	Cap/Base Information
MASTER PL-T 13W/827/4P	457	418	Incandescent White	Yes	4P
MASTER PL-T 13W/830/4P	434	397	Warm White	Yes	4P
MASTER PL-T 13W/840/4P	380	379	Cool White	Yes	4P
MASTER PL-T 18W/827/4P	455	417	Incandescent White	Yes	4P
MASTER PL-T 18W/830/4P	434	397	Warm White	Yes	4P
MASTER PL-T 18W/840/4P	380	379	Cool White	Yes	4P
MASTER PL-T 26W/827/4P	455	417	Incandescent White	Yes	4P
MASTER PL-T 26W/830/4P	434	397	Warm White	Yes	4P
MASTER PL-T 26W/840/4P	380	379	Cool White	Yes	4P
MASTER PL-T 32W/827/4P	455	417	Incandescent White	Yes	4P
MASTER PL-T 32W/830/4P	434	397	Warm White	Yes	4P
MASTER PL-T 32W/840/4P	380	379	Cool White	Yes	4P
MASTER PL-T 42W/827/4P	455	417	Incandescent White	Yes	4P
MASTER PL-T 42W/830/4P	434	397	Warm White	Yes	4P
MASTER PL-T 42W/840/4P	380	379	Cool White	Yes	4P
MASTER PL-T 57W/827/4P	455	417	Incandescent White	Yes	4P
MASTER PL-T 57W/830/4P	434	397	Warm White	Yes	4P
MASTER PL-T 57W/840/4P	380	379	Cool White	Yes	4P

Special data

Product name	10NC	ILCOS	Life to 10% failures Non-preheat Electronic (h)	Life to 10% failures Preheat Electronic (h)
MASTER PL-T 13W/827/4P	9279 142 82700	FSM-13/27/1B-E-GX24q=1	4500	8000
MASTER PL-T 13W/830/4P	9279 142 83000	FSM-13/30/1B-E-GX24q=1	4500	8000
MASTER PL-T 13W/840/4P	9279 142 84000	FSM-13/40/1B-E-GX24q=1	4500	8000
MASTER PL-T 18W/827/4P	9279 144 82700	FSM-18/27/1B-E-GX24q=2	4500	8000
MASTER PL-T 18W/830/4P	9279 144 83000	FSM-18/30/1B-E-GX24q=2	4500	8000
MASTER PL-T 18W/840/4P	9279 144 84000	FSM-18/40/1B-E-GX24q=2	4500	8000
MASTER PL-T 26W/827/4P	9279 146 82700	FSM-26/27/1B-E-GX24q=3	4500	8000
MASTER PL-T 26W/830/4P	9279 146 83000	FSM-26/30/1B-E-GX24q=3	4500	8000
MASTER PL-T 26W/840/4P	9279 146 84000	FSM-26/40/1B-E-GX24q=3	4500	8000
MASTER PL-T 32W/827/4P	9279 147 82700	FSM-32/27/1B-E-GX24q=3	4500	8000
MASTER PL-T 32W/830/4P	9279 147 83000	FSM-32/30/1B-E-GX24q=3	4500	8000
MASTER PL-T 32W/840/4P	9279 147 84000	FSM-32/40/1B-E-GX24q=3	4500	8000
MASTER PL-T 42W/827/4P	9279 148 82700	FSM-42/27/1B-E-GX24q=4	4500	8000
MASTER PL-T 42W/830/4P	9279 148 83000	FSM-42/30/1B-E-GX24q=4	4500	8000
MASTER PL-T 42W/840/4P	9279 148 84000	FSM-42/40/1B-E-GX24q=4	4500	8000
MASTER PL-T 57W/827/4P	9279 149 82700	FSM-57/27/1B-E-GX24q=5	4500	8000
MASTER PL-T 57W/830/4P	9279 149 83000	FSM-57/30/1B-E-GX24q=5	4500	8000
MASTER PL-T 57W/840/4P	9279 149 84000	FSM-57/40/1B-E-GX24q=5	4500	8000

Product name	Life to 50% failures Non-preheat Electronic (h)	Lumen Maintenance Electronic 2000h (%)	Lumen Maintenance Electronic 5000h (%)	Lumen Maintenance Electronic 10000h (%)	Additional Information	Execution
MASTER PL-T 13W/827/4P	7000	92	87	81	Mercury	/4P
MASTER PL-T 13W/830/4P	7000	92	87	81	Mercury	/4P
MASTER PL-T 13W/840/4P	7000	92	87	81	Mercury	/4P
MASTER PL-T 18W/827/4P	7000	92	87	81	Mercury	/4P
MASTER PL-T 18W/830/4P	7000	92	87	81	Mercury	/4P
MASTER PL-T 18W/840/4P	7000	92	87	81	Mercury	/4P
MASTER PL-T 26W/827/4P	7000	92	87	81	Mercury	/4P
MASTER PL-T 26W/830/4P	7000	92	87	81	Mercury	/4P
MASTER PL-T 26W/840/4P	7000	92	87	81	Mercury	/4P
MASTER PL-T 32W/827/4P	7000	92	87	81	Mercury	/4P
MASTER PL-T 32W/830/4P	7000	92	87	81	Mercury	/4P
MASTER PL-T 32W/840/4P	7000	92	87	81	Mercury	/4P
MASTER PL-T 42W/827/4P	7000	92	87	81	Mercury	/4P
MASTER PL-T 42W/830/4P	7000	92	87	81	Mercury	/4P
MASTER PL-T 42W/840/4P	7000	92	87	81	Mercury	/4P
MASTER PL-T 57W/827/4P	7000	92	87	81	Mercury	/4P
MASTER PL-T 57W/830/4P	7000	92	87	81	Mercury	/4P
MASTER PL-T 57W/840/4P	7000	92	87	81	Mercury	/4P