

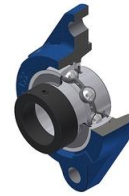


Brand of NTN Group

Technical data

EXFLZ207

Bearing units

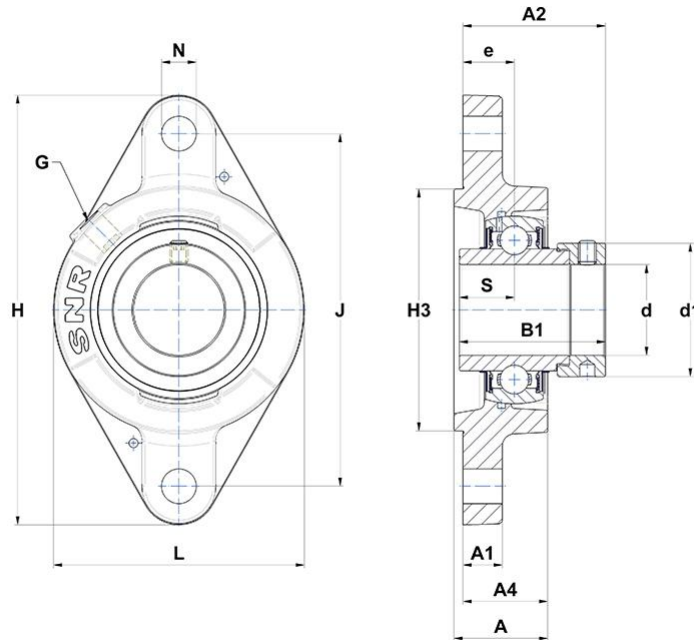


Grey cast housing, radial insert ball bearing with eccentric locking collar, seal with slinger

KIT CONTENT

EX207G2, FLZ207

VISUAL (S)



PRODUCT DEFINITION

Brand	SNR
A - Housing height	32,5 mm
A1 - Housing foot height / flange height	12,5 mm
A2 - Total height from mounting surface	49,3 mm
A4 - Housing height from mounting surface	28,5 mm
B - Width of Inner Ring	37,6 mm



NTN Europe

1 rue des Usines · BP 2017 · 74010 Annecy Cedex · France · Tel. +33 (0)4 50 65 30 00
 S.A. au capital de 322 639 919 € · RCS ANNECY B 325 821 072 · Id. Fiscale : FR 48 325 821 072
 SIRET 325 821 072 00015 · Code APE 2815 Z · Code NACE 28.15

PRODUCT DEFINITION

B1 - Overall width Inner Ring	51,1 mm
d - Shaft diameter	35 mm
d1 - Outer dia of eccent. Lock. collar / nut of adapter sleeve	51,1 mm
e - Distance mounting surface to bearing center	17 mm
G - Grease fitting	R1/8"
H - Housing length, width or diameter	155 mm
H3 - Centering dia	90 mm
J - Mounting holes distance	130 mm
L - Housing width / diameter	94 mm
N - Mounting hole dimension	14 mm
S - Distance front side/bearing centre	18,8 mm

PRODUCT PERFORMANCE

C - Dynamic load rating	25700000 mN
C0 - Static load rating	15200000 mN
Operating temperature min.	253,15 °K
Operating temperature max.	373,15 °K

OTHER FEATURES

Mass	1,4 kg
Recommended tightening torque for set screw	11.5 N-m

