

## Mod. G7800 - Fittings Series 7000 - Automation

Product code: G7800 4-8

Datasheet creation date: 11/12/2025 09:26

Check the most updated document online [click here](#)

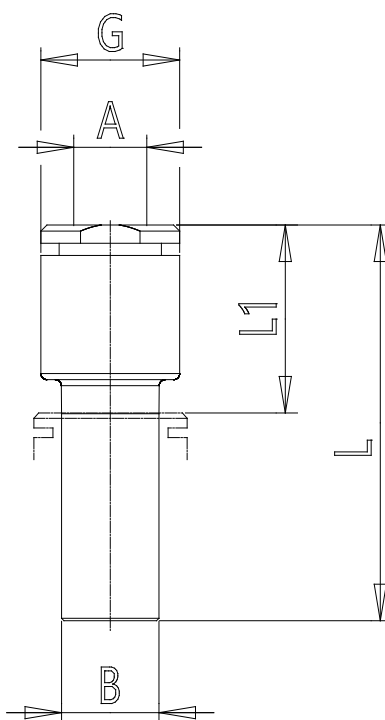


### TECHNICAL DATA

Mod.	G7800 4-8
------	-----------

## Mod. G7800 - Fittings Series 7000 - Automation

Product code: G7800 4-8



### DIMENSIONS

<b>A (mm)</b>	4
<b>B (mm)</b>	8
<b>G (mm)</b>	9.3
<b>L (mm)</b>	31.0
<b>L1 (mm)</b>	14.5
<b>Weight (g)</b>	2.0