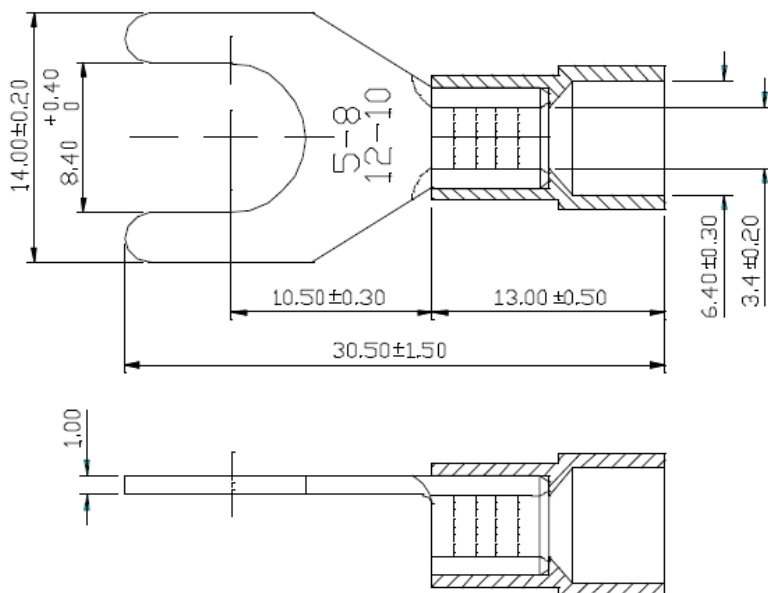


## Datasheet

# Insulated Crimp Spade Connector 12 → 10 AWG, Yellow Vinyl

RS Stock number [613-9867](#)

### Drawing (mm):



### Specifications:

1. MAXIMUM ELECTRIC CURRENT:
 

A.W.G.	12	10
AMP.	35	50
2. MAXIMUM ELECTRICAL RATING: 75°C 600 VOLTS MAX.
3. INSULATION MATERIAL: VINYL
4. INSULATION COLOR: YELLOW
5. TERMINAL MATERIAL: COPPER
6. WIRE RANGE: 12-10A.W.G. (4-6mm<sup>2</sup>)