

Datasheet

RS PRO Mini Magnetic Lock, 600lbs, 12~24VDC

Stock No: 741-8256



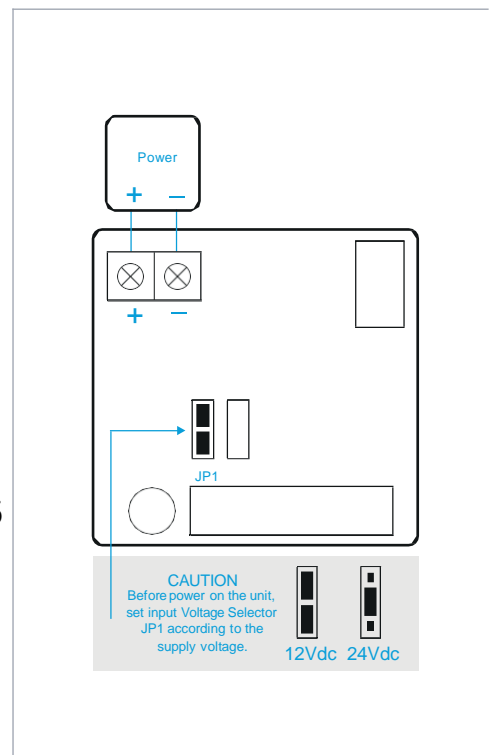
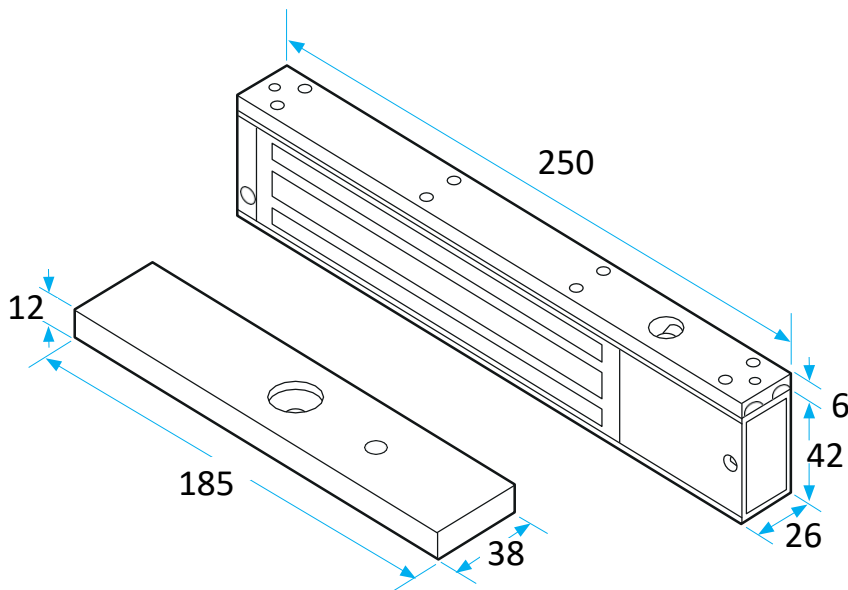
Technical Specifications:

250mm x 26mm x 48mm	brush Aluminium
Operating voltage 12Vdc /24Vdc Selectable	Fail-safe
600lbs holding force	
Safety Bolts	

Features & Benefits:

- Operating voltage: 12 or 24Vdc
- Aluminium
- Current draw: 500mA at 12Vdc 250mA at 24Vdc (at temperature 20°C)
- Operating temperature: -10 to 55°C (14 to 131°F)
- Humidity: 0 to 95% non-condensing
- Lock's surface temperature: Current temperature $\pm 20\%$ (when power is on) • Holding force: Up to 600lbs (272kg)
- Fail Safe
- Weight: 2.0kg (approx)

Dimensional line drawings



Quality Standards:

