



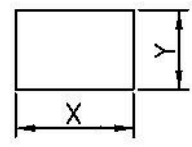
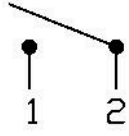
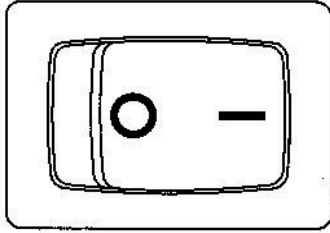
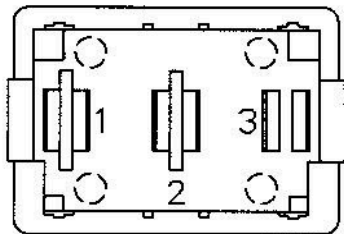
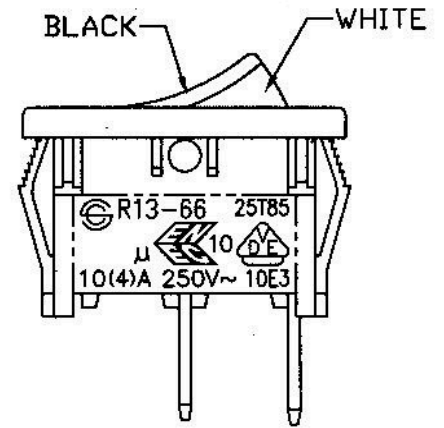
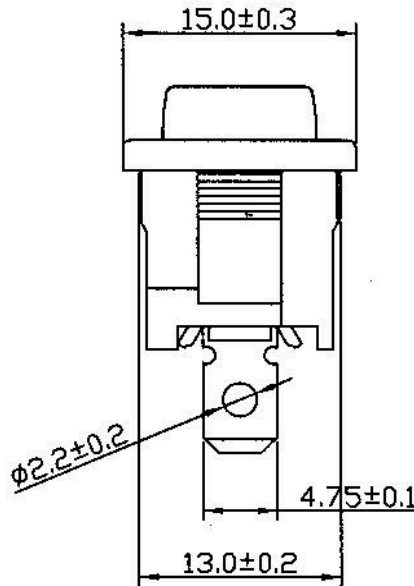
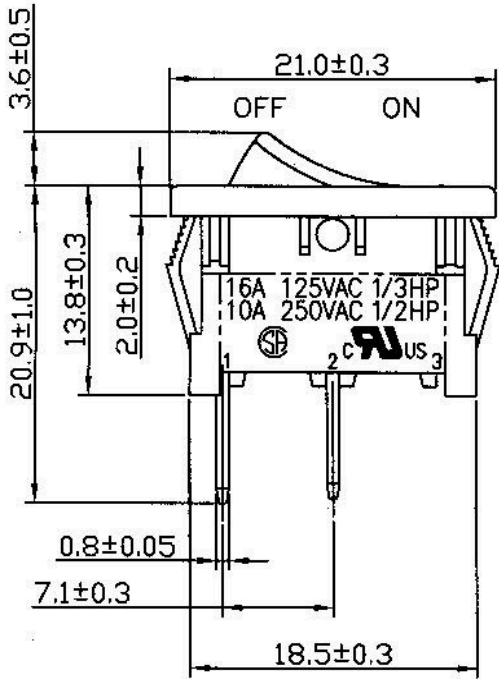


Rating	16A 125VAC 1/3HP  c  us	Mounting Hole	Circuit Diagram	
	10A 250VAC 1/2HP  c  us			
Contact Resistance	50m ohm Max.			
Insulation Resistance	DC 500V 100M ohm Min.			
Dielectric Strength	AC 1500V 1 minute			
Operation Temperature	-25°C~85°C			
Switch Function	2P SPST ON-OFF	Thickness	X	Y
		0.75...1.25	19.2-0.1	13+0.1
		1.25...2	19.4-0.1	13+0.1
		2...3	19.8-0.1	13+0.1



Material:
 Frame: Nylon#66, Black
 Actuator: Nylon#66, Black
 Printed: White, hot stamping



CS\R13\R13-66A3-02(1821487)

								△	
								△	
Date		Name		Description				NO	
Drawn	Checked	Approved	SCI BOM NO.	1821487	Model Name	ROCKER SWITCH			
曹盈芳	<i>[Signature]</i>		Customer No.		Model No.	R13-66A3-02	REV.		0
12/12/07	<i>[Signature]</i>		Unit	mm					