

Datasheet

RS Pro Brushless DC Motor, 36 V dc, 0.35 Nm, 4000 rpm, 8mm Shaft Diameter

RS Stock No: **892-8779**



Product Details

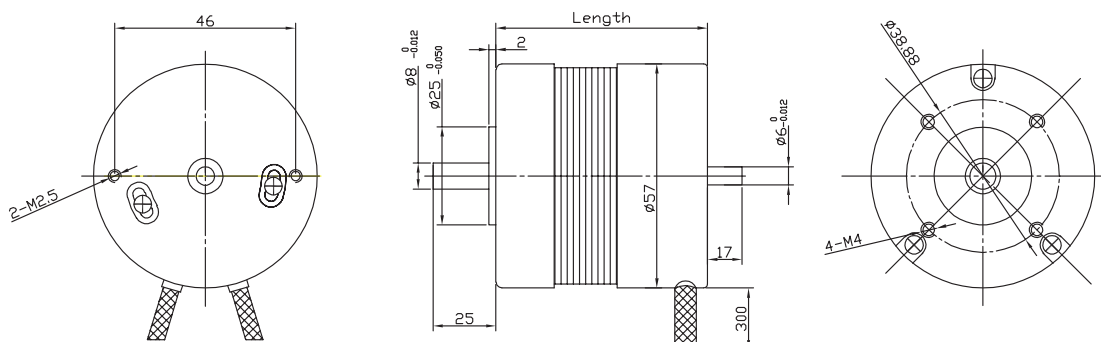
RS Pro brushless DC motor has a hall effect sensor with 120° electrical angle. It operates at a voltage rating of 36 V dc. This motor belongs to the range of motors with integrated communication electronics.

Features and Benefits

- Shaft diameter of 8 mm
- Class B insulation
- Speed control feedback via hall sensor
- Supply voltage of 36 V dc
- 4000 rpm output speed
- Different voltage versions
- Current rating of 5.5 A
- 0.35 Nm maximum output torque

**Specifications:**

DC Motor Type	Brushless
Standards Met	CE; RoHS Compliant
Length	53.6 mm
Shaft Diameter	8 mm
Current Rating	5.5 A
Dimensions	38.8 (dia.) x 53.6 mm
Maximum Output Torque	0.11 Nm
Output Speed	4000 rpm
Supply Voltage	36 V dc
Peak Current	5.5 A
Peak Torque	0.35 Nm



Specification

Model		892879				
1	N° OF POLE	4	4	4	4	4
2	N° OF PHASE	3	3	3	3	3
3	RATED VOLTAGE	V	36	36	36	36
4	RATED SPEED	RPM	4000	4000	4000	4000
5	RATED TORQUE	Nm	0,055	0,11	0,22	0,32
6	MAX PEAK TORQUE	Nm	0,16	0,35	0,68	0,98
7	TORQUE CONSTANT	Nm/A	0,053	0,063	0,063	0,063
8	LINE TO LINE RESISTANCE	Ω	4,1	1,5	0,65	0,45
9	LINE TO LINE INDUCTANCE	mH	10	4,5	2,1	1,4
10	MAX PEAK CURRENT	A	3,5	5,5	9,8	16,5
11	LENGTH	MM	45	54	74	94
12	ROTOR INERTIA	g-cm ²	30	75	119	173
13	WEIGHT	Kg	0,25	0,5	0,75	1

Characteristics

HALL EFFECT ANGLE
120 ° ELECTRIC ANGLE

SHAFT RUN OUT
0,025 MM

INSULATION CLASS
B

RADIAL PLAY
0,02 MM (450 G LOAD)

AXIAL PLAY
0,08 MM (450 G LOAD)

MAX RADIAL FORCE
75 N (10 MM FROM FLANGE)

MAX AXIAL FORCE
15 N

DIELECTRIC STRENGTH
500 VDC FOR ONE MINUTE

INSULATION RESISTANCE
100 M OHM MIN. 500 VDC

Connection

LEAD N°	COLOR	GAUGE	FUNCTION
1	RED	UL1430 AWG26	Vcc HALLSENSOR
-	-	-	+5 to +24 Vdc
2	BLUE	UL1430 AWG26	HALL A
3	GREEN	UL1430 AWG26	HALL B
4	WHITE	UL1430 AWG26	HALL C
5	BLACK	UL1430 AWG26	GND HALL
			SENSOR GROUND
6	YELLOW	UL1430 AWG20	PHASE U
7	RED	UL1430 AWG20	PHASE V
8	BLACK	UL1430 AWG20	PHASE W