

CONNECTOR		WIRE			
PART NUMBER	COLOR	SIZE RANGE (AWG)	MAXIMUM INSULATION DIAMETER	COMBINATION (AMOUNT) SIZE (AWG)—CONDUCTOR TYPE	
 	53440-1	Blue	18-14	4.06 mm [.160 in.]	(2) 14—Solid; (2) 16—Solid; (2) 18—Solid; (1) 14—Stranded or Solid and (1) 16—Solid or 18—Solid; (1) 16—Solid and (1) 18—Solid; (1) 12—Solid and (1) 18—Solid
	53440-2	Red	20-18	4.06 mm [.160 in.]	(2) 18 AWG—Solid; (2) 20 AWG—Solid; (1) 18 AWG—Stranded or Solid and (1) 20 AWG—Solid

Figure 1

1. INTRODUCTION



All numerical values in this instruction sheet are in metric units [with U.S. customary units in brackets]. Dimensions are in millimeters [and inches]. Figures are not drawn to scale.

These insulated pressure cable connectors have a rating of 300 volts (maximum) and can be used where the temperature will not exceed 105°C [225°F].

ELECTRO-TAP connectors using wire sizes 20 through 14 AWG are Listed by Underwriters Laboratories Inc. (UL) Certified by CSA International.

Reasons for reissue of this instruction sheet are provided in Section 3, REVISION SUMMARY.

2. ASSEMBLY PROCEDURE (See Figure 2)

Refer to Figure 1 and ensure that the connector is compatible with the wire size and combination.

1. Butt the tap-wire against the wire stop (the wire stop may be removed for through-wire tap application). Then, fold the top cover half over to meet the base.
2. Squeeze the top cover and base with pliers until the latch locks. DO NOT place the pliers on top of the raised flange.
3. Lay the run wire in the remaining section. Then, fold the base over to meet the run wire section.
4. Squeeze the base and run wire section with pliers until the latch locks. DO NOT place the pliers on top of the raised flange.

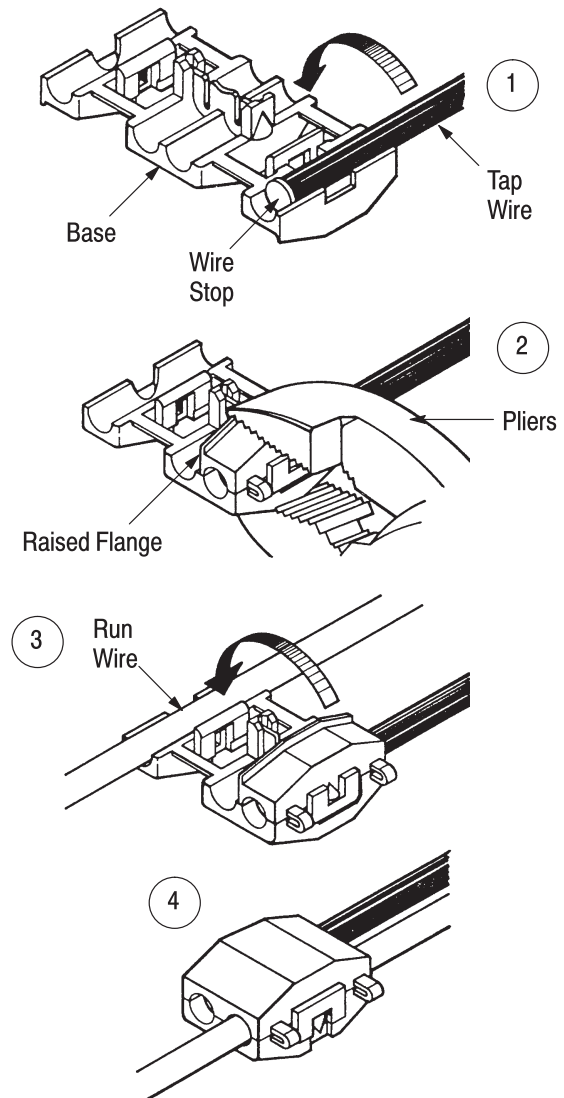


Figure 2

3. REVISION SUMMARY

Revisions to this instruction sheet include:

- Updated document to corporate requirements

UL logo is a trademark of Underwriters Laboratories Inc. CSA logo is a trademark of Canadian Standards Association Corporation