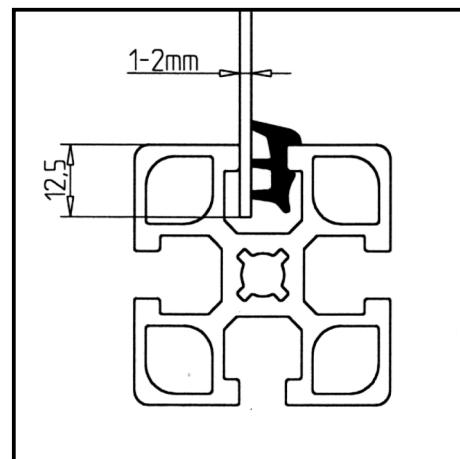
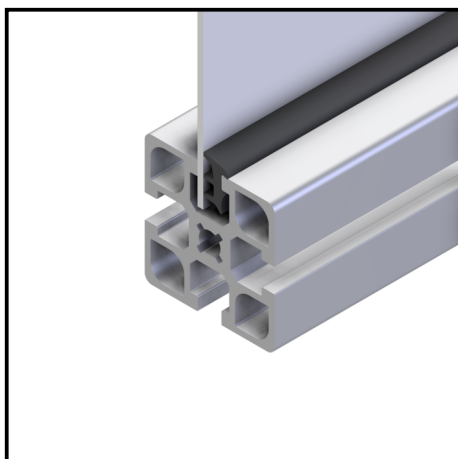
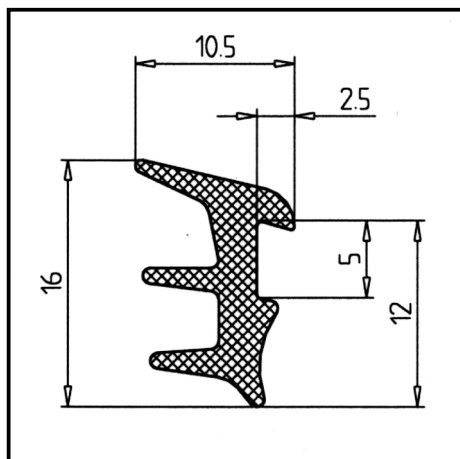


## INSERT SEAL 2

Article Nr. 22.1083/0

See the product on the website →

Download CAD Files →



### TECHN. DATA / ITEMS SUPPLIED

- EPDM, black
- Roll length 100 m
- Weight = 0.096 kg/m

### APPLICATIONS

- Not suitable for acrylic glass and polycarbonate
- Fastening and sealing of surface elements directly in the profile groove up to 2 mm thickness

### ASSEMBLY

- Press insert seal subsequently into free space between panel element and profile groove with blunt tool made of wood or plastic
- Materials with <2 mm thickness can be clamped by using sealing gasket 6 on both sides, **part no. [22.1086/1](#)**