



PRODUCT DATASHEET

Lena series

last update 9/5/2014

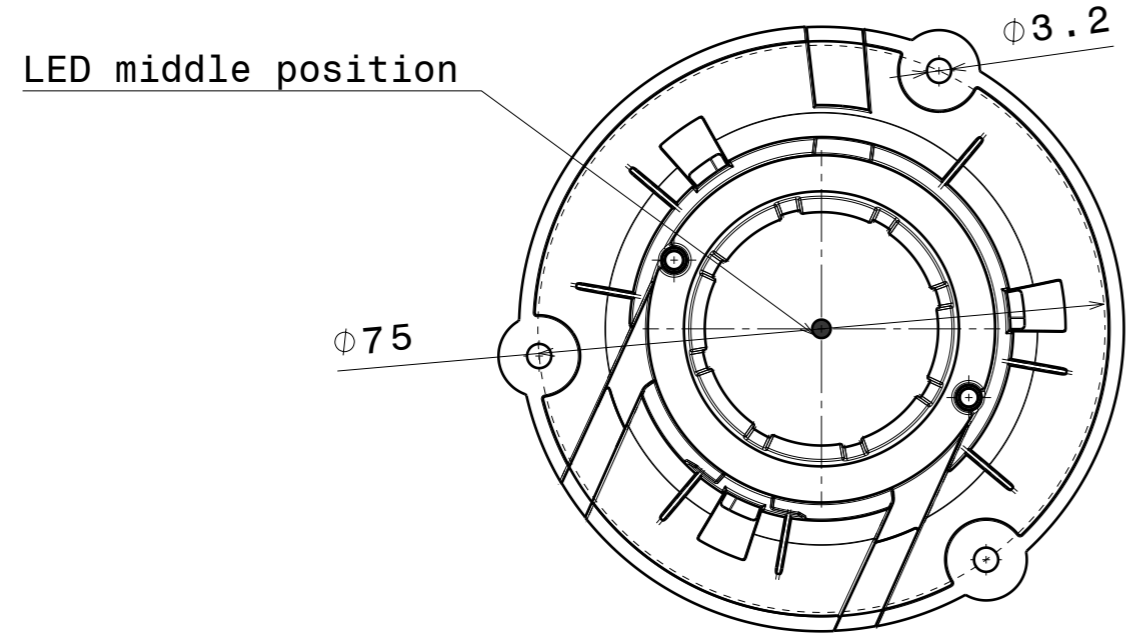
DETAILS

Product Number	C13867_LENA-STD-BASE-VERO29
Family	Lena
Type	Base part
Color	white
Diameter	80 mm
Height	11.6 mm
Style	round
Optic Material	
Holder Material	PC
Fastening	screw
Status	ready
ROHS Compliant	Yes
Date Updated	9/05/2014

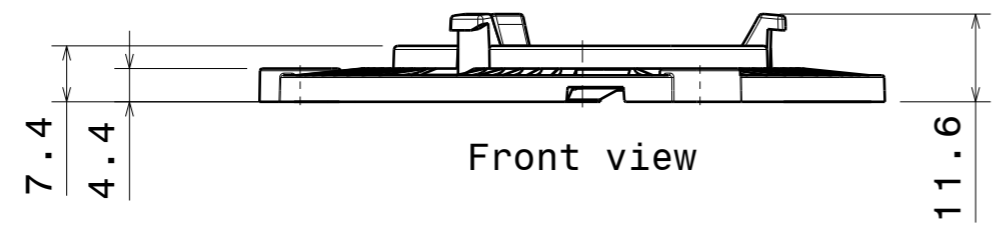


OPTICAL PROPERTIES

LED	Viewing Angle	Light Beam	Efficiency	cd/lm	Connector
VERO29	N/A deg		-	sim: 0.000	-



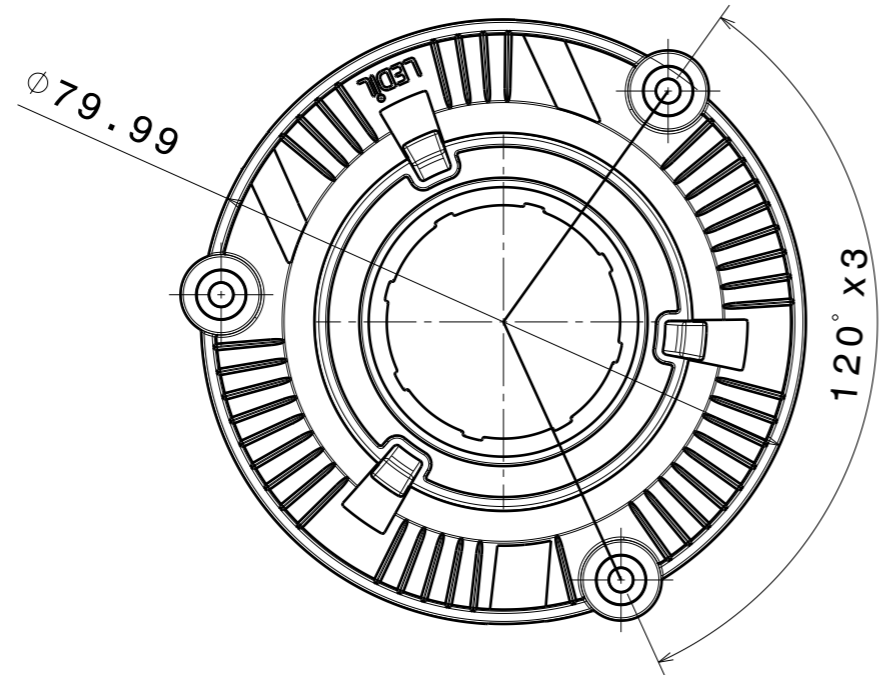
Bottom view



Front view



Isometric view



Top view

Tolerances if not otherwise shown
 According to DIN ISO 2768-1
 Linear measures:
 Up to 30mm class M, otherwise class C.
 According to DIN ISO 2768-2
 Form and position: class L



Ledil Oy
 Salorankatu 10
 FIN 24240 SALO
 Finland

THIRD ANGLE PROJECTION:

DRAWING TITLE
Datasheet_LENA-STD-BASE-VERO29

This drawing is the property of LEDiL Oy. It may not be reproduced, copied or communicated without a written agreement with LEDiL Oy.

SIZE	PART NUMBER		
A3	C13867		

SCALE	1:1	WEIGHT	(g)	SHEET	1/1
-------	-----	--------	-----	-------	-----

INDEX	PART NO	DESCRIPTION	MATERIAL
1	C13867	LENA-STD-BASE-VERO29	PC

NOTE: The typical divergence will be changed by different color, chip size and chip position tolerance. The typical total divergence is the full angle measured where the luminous intensity is half of the peak value.

GENERAL INFORMATION

- Product series especially designed & optimized for series of LEDs.
- Special care taken to make light distribution as uniform as possible.

Note! Due to use of high power COB's with this product, special attention to proper thermal design is highly recommended. LEDiL has no liability for direct, indirect or consecutive damages arising from the LEDiL products being used outside of the recommended temperature range.