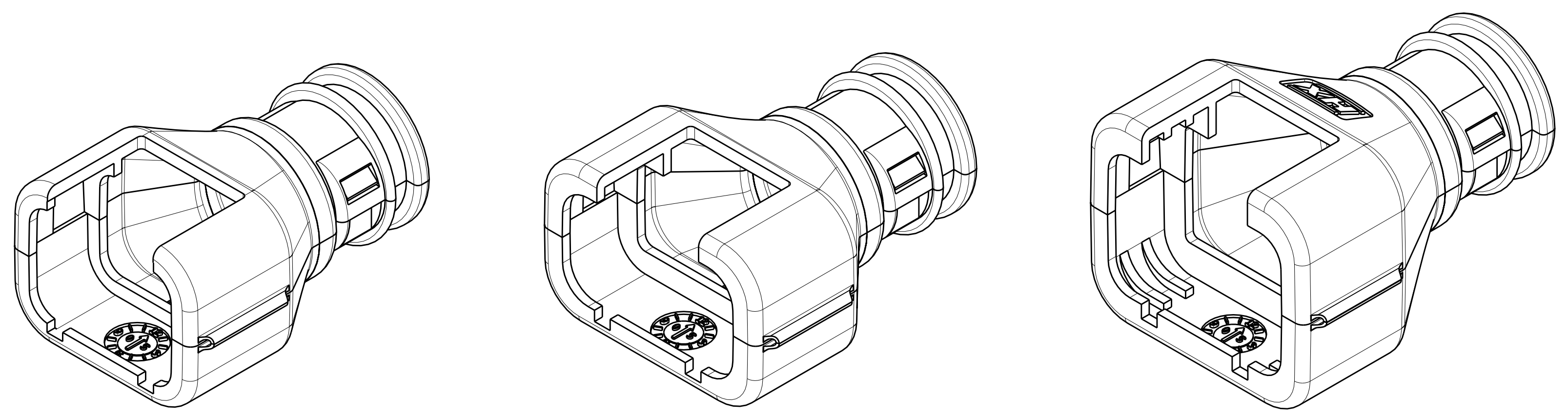


LOC	DIST	REV	DATE	BY	CHK	APPV
AA	00	A	11APR2008	JM	JM	
		B	16APR2009	DD	RB	

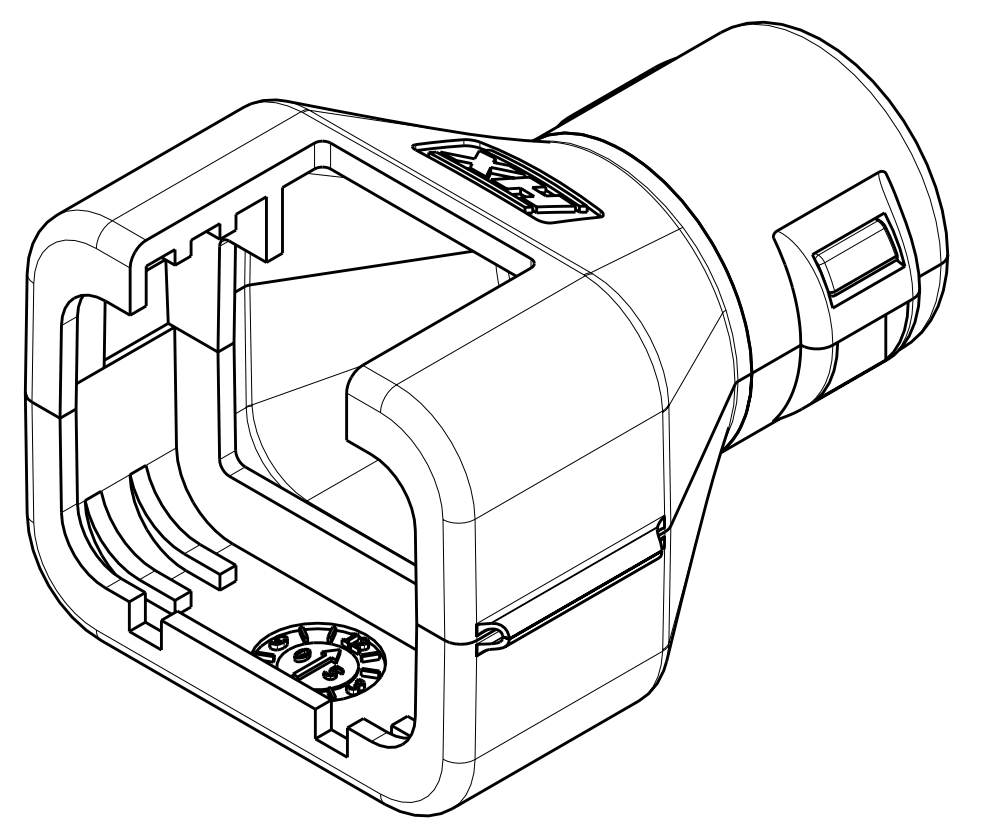
△ DIMENSION TO BE MEASURED WHEN THE COVER IS CLOSED.



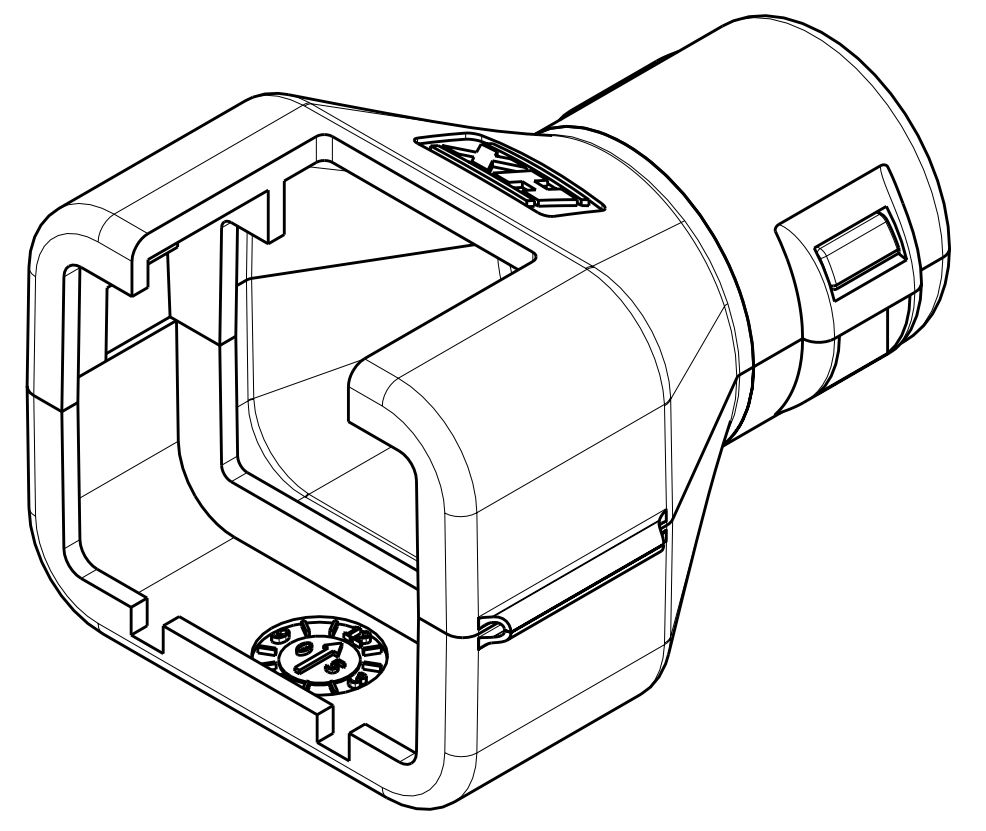
2035047-1
SCALE 3:1

2035047-2
SCALE 3:1

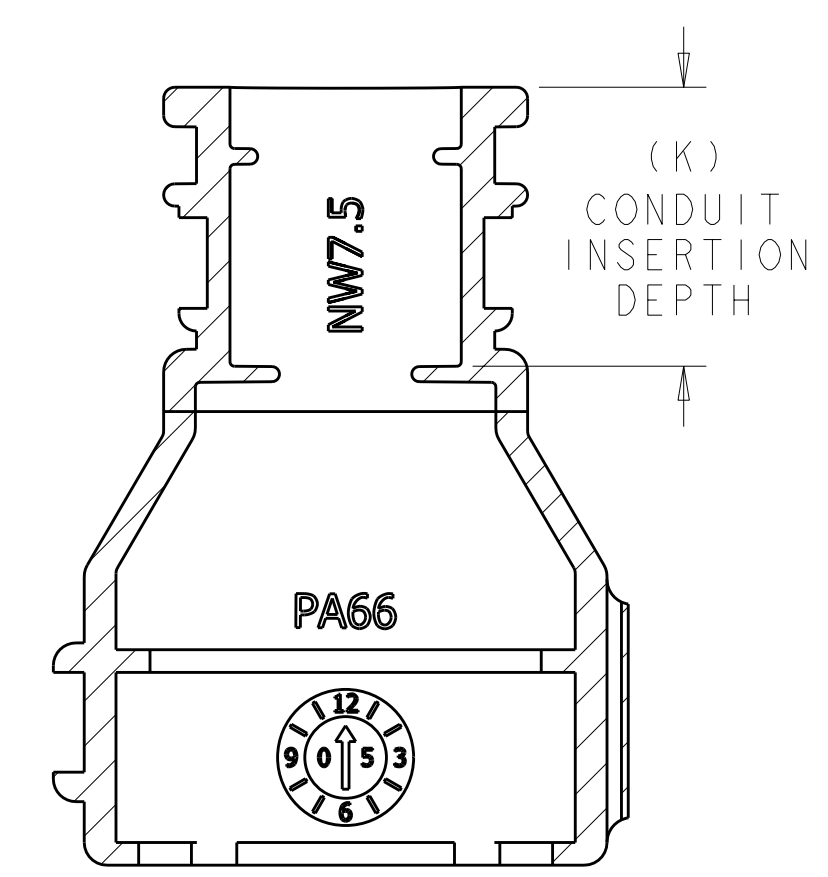
2035047-3
SCALE 3:1



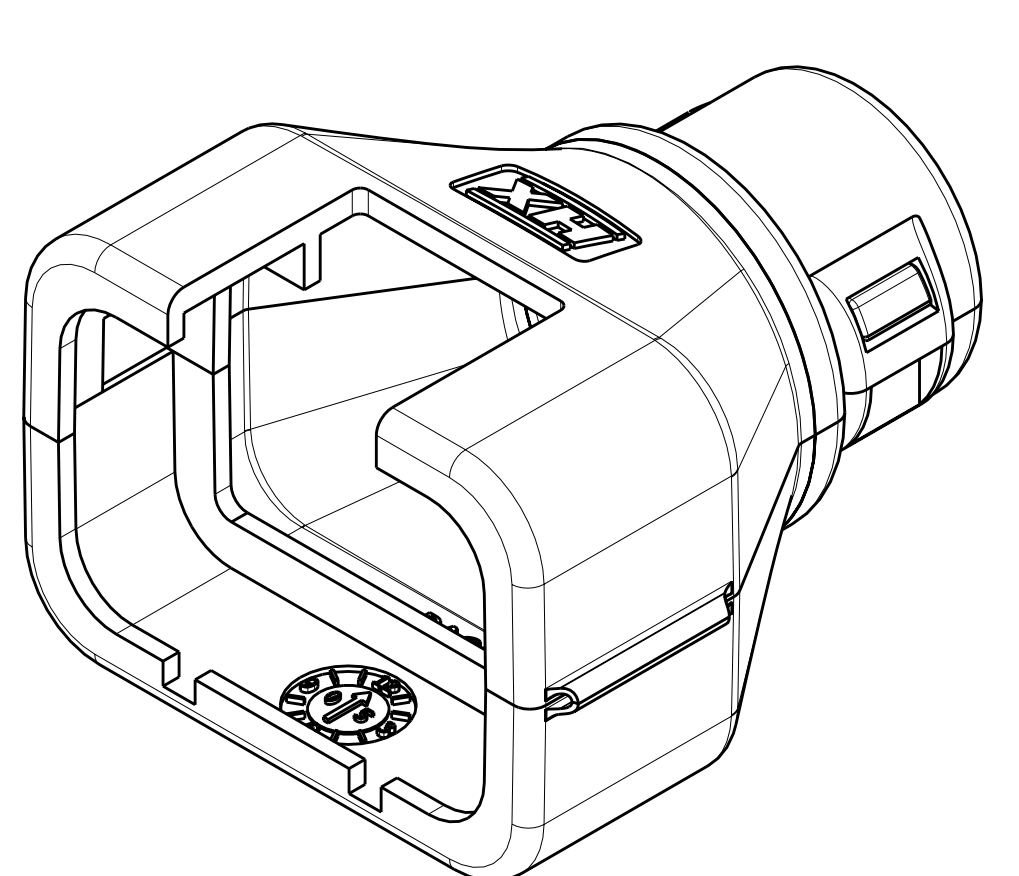
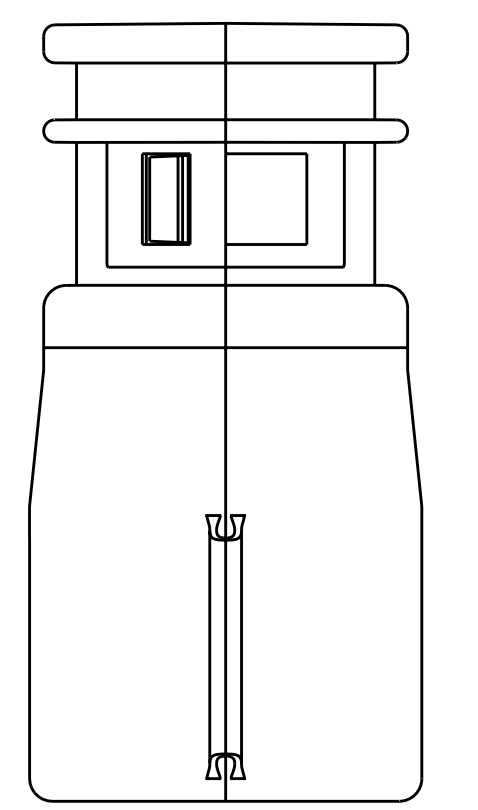
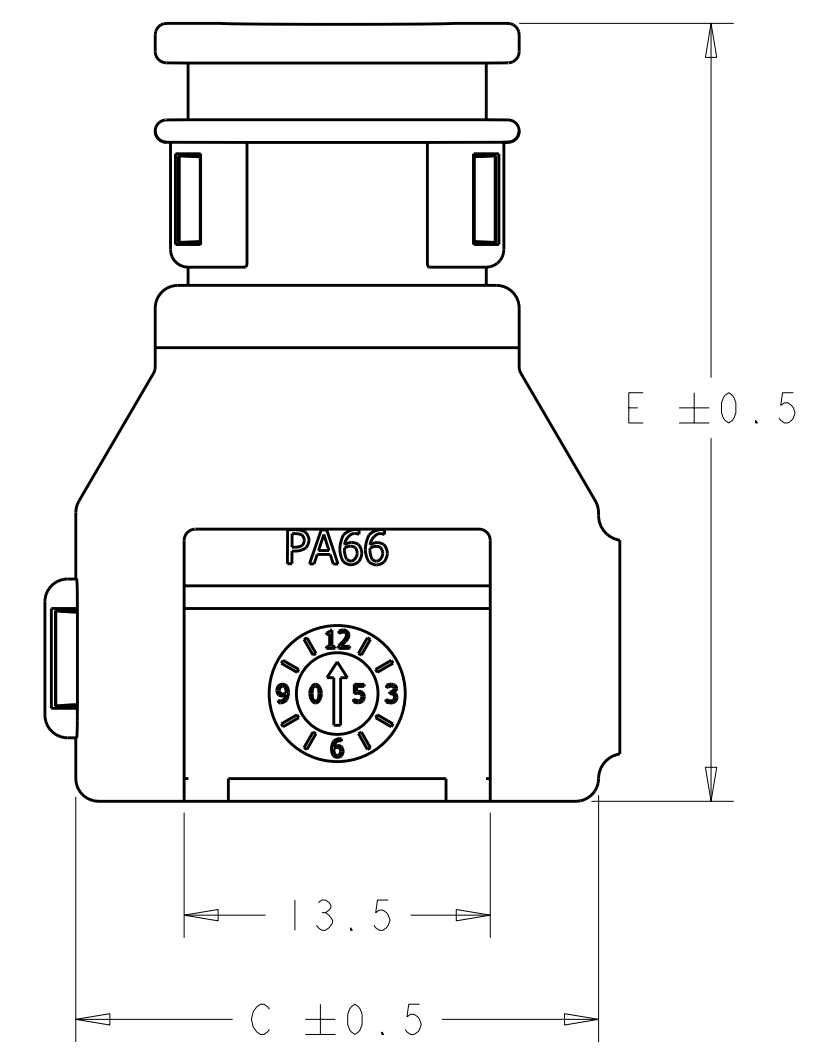
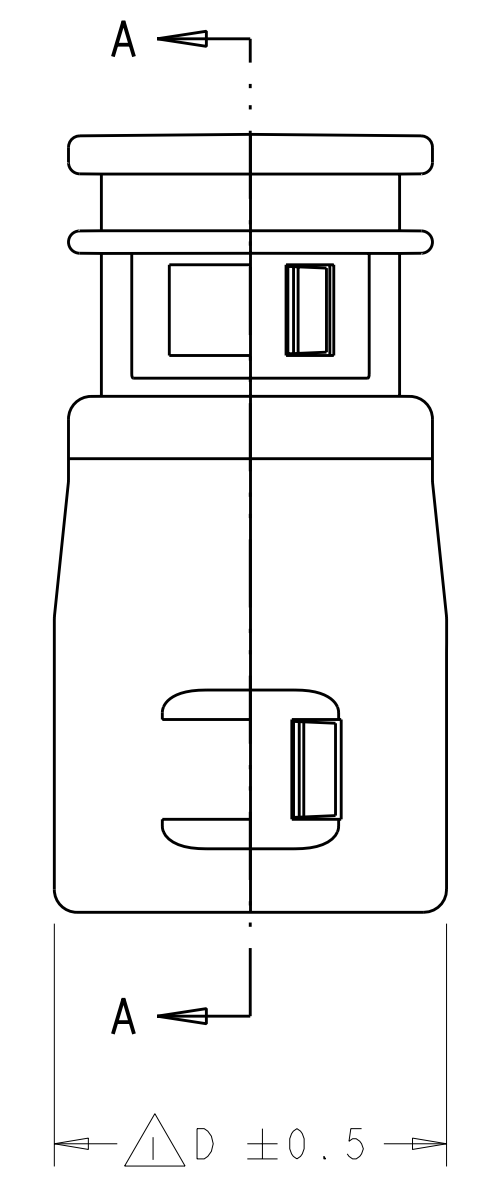
2035047-5
SCALE 3:1



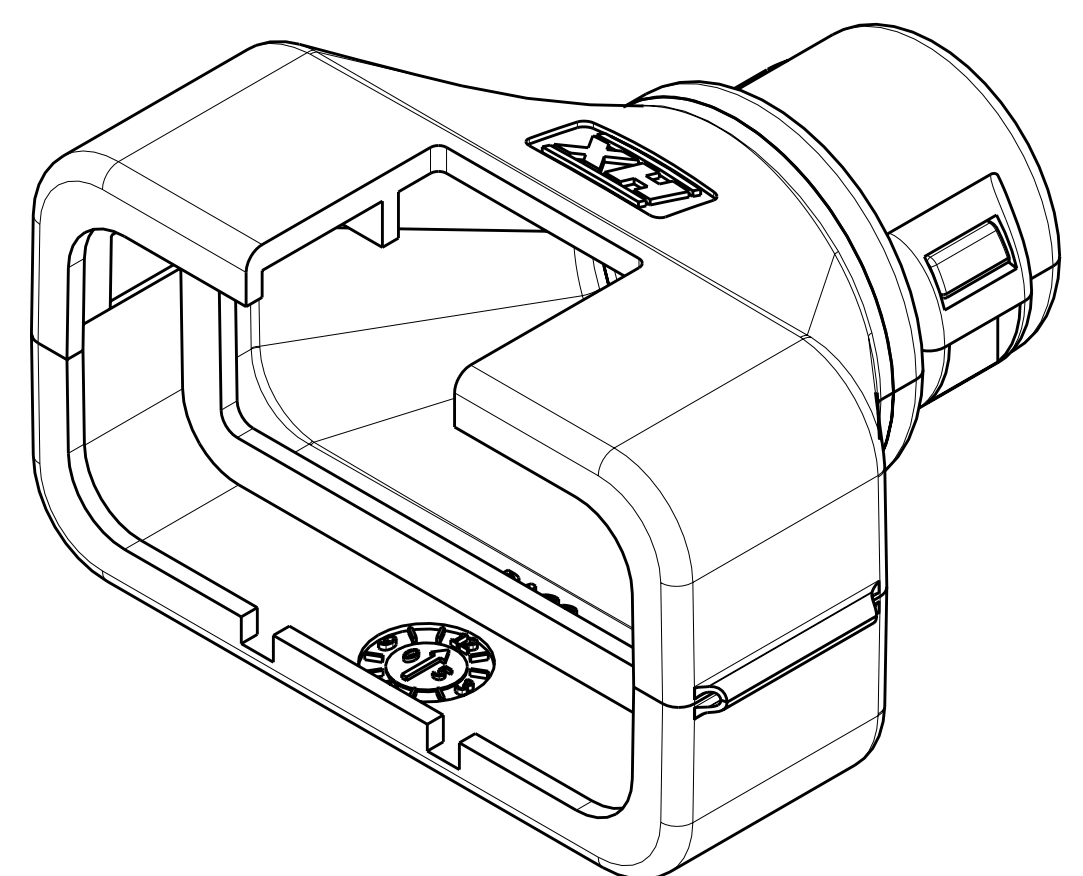
2035047-6
SCALE 3:1



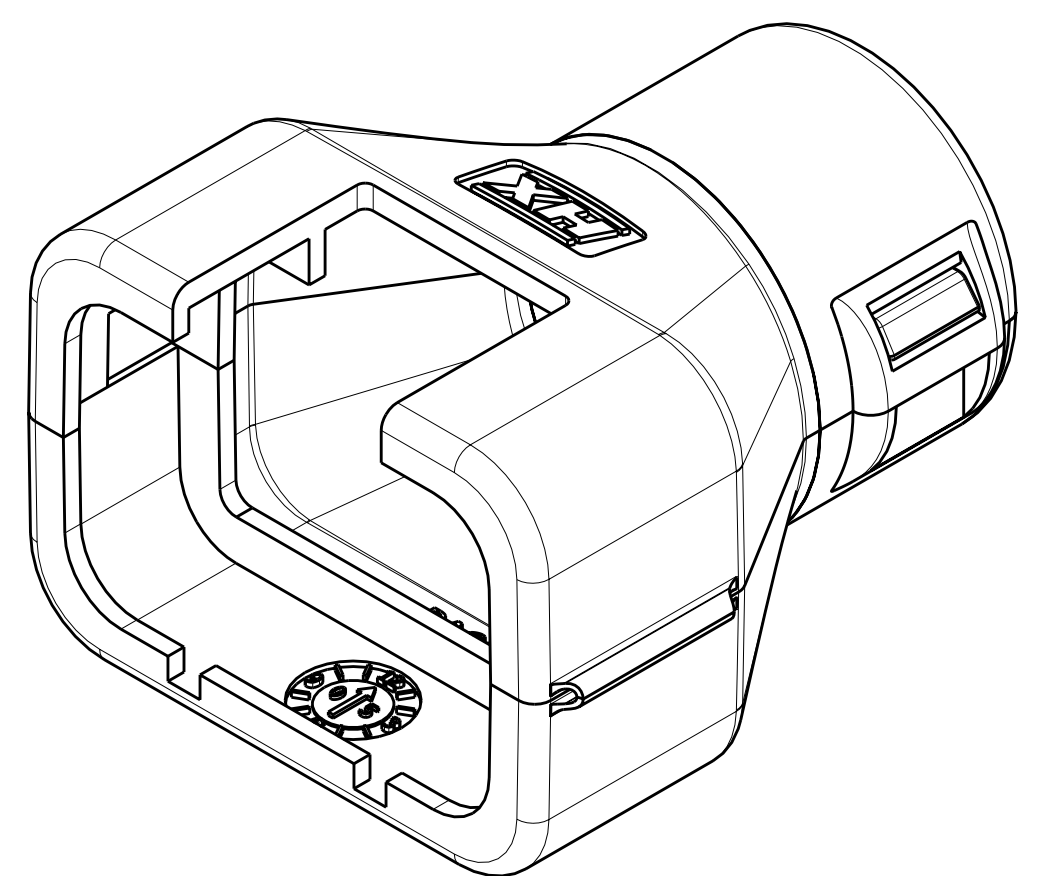
SECTION A-A
SCALE 3:1



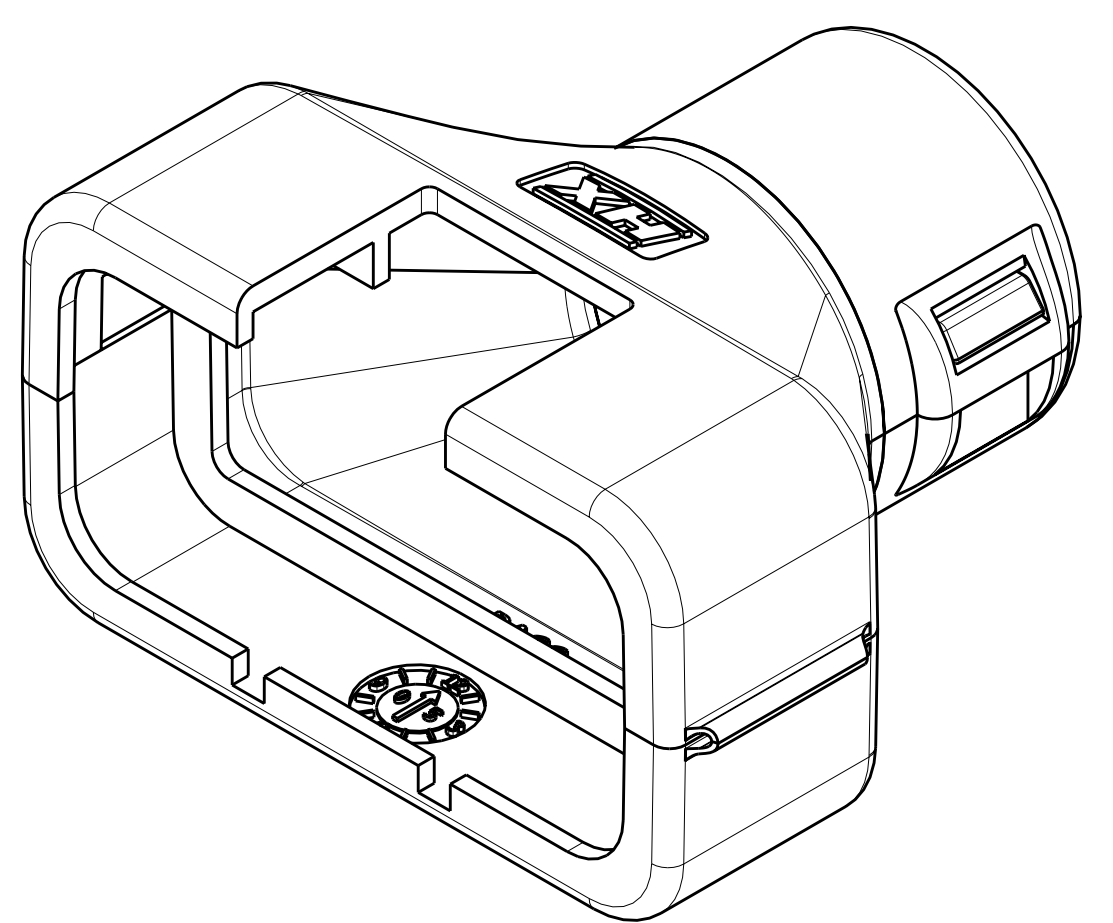
2035047-7
SCALE 3:1



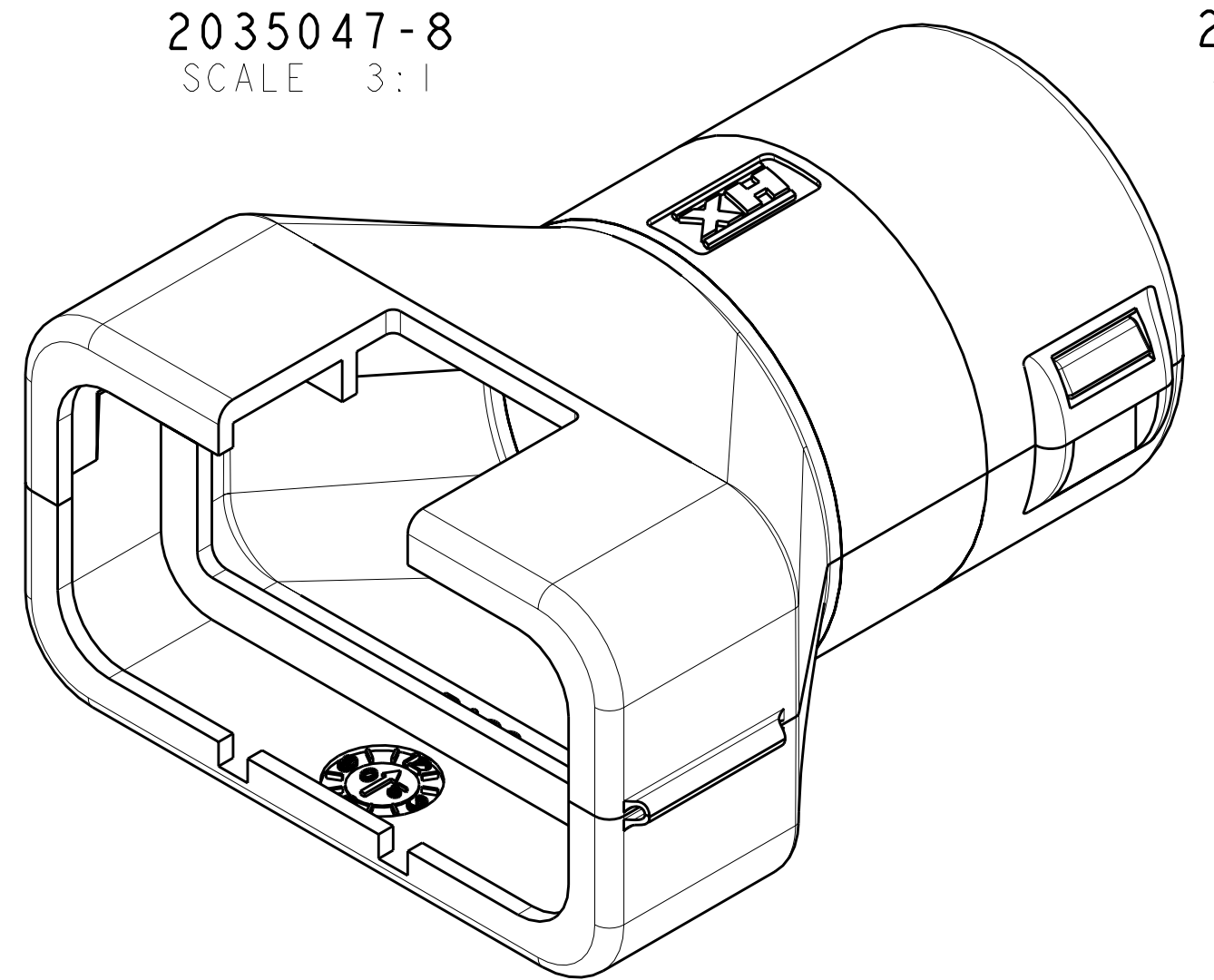
2035047-8
SCALE 3:1



2035047-9
SCALE 3:1



1-2035047-0
SCALE 3:1



1-2035047-1
SCALE 3:1

TYCO ELECTRONICS PART NUMBER	ASSY POSN	NOMINAL CONDUIT SIZE		NOMINAL DIMENSIONS			
		NC	NW	C	D	E	(K)
2035047-1	2	08	7.5	22.9	17.3	34.2	12.3
2035047-2	3	08	7.5	27.4	17.3	34.2	12.3
2035047-3	4	08	7.5	27.5	22.6	38.3	12.3
2035047-4	6	NOT CURRENTLY TOOLED					
2035047-5	4	12	10	27.5	22.6	36.8	10.5
2035047-6	6	12	10	27.5	22.6	36.8	10.5
2035047-7	8	12	10	31.9	22.6	36.8	10.5
2035047-8	12	12	10	40.7	22.6	36.8	10.5
2035047-9	8	16	13	31.9	22.6	36.8	10.5
1-2035047-0	12	16	13	40.7	22.6	36.8	10.5
1-2035047-1	12	20	17	40.7	22.7	47.9	12.1

DIMENSIONS: mm 		TOLERANCES UNLESS OTHERWISE SPECIFIED: 9 PLC ±0.5 5 PLC ±0.5 4 PLC ±0.5 ANGLES ±0.5		DWN J. MARKEY 11APR2008 CHK J. MARKEY 11APR2008 APVD J. MARKEY 11APR2008		Tyco Electronics Harrisburg, PA 17105-3608	
MATERIAL: NYLON 6/6 FINISH:		WEIGHT:		PRODUCT SPEC: APPLICATION SPEC:		NAME: BACKSHELL, AMPSEAL 16, 0 DEGREE EXIT SIZE: CAGE CODE DRAWING NO: A100779C-2035047 RESTRICTED TO:	
CUSTOMER DRAWING				SCALE 3:1		SHEET 1 OF 1 REV B	