

02

0271

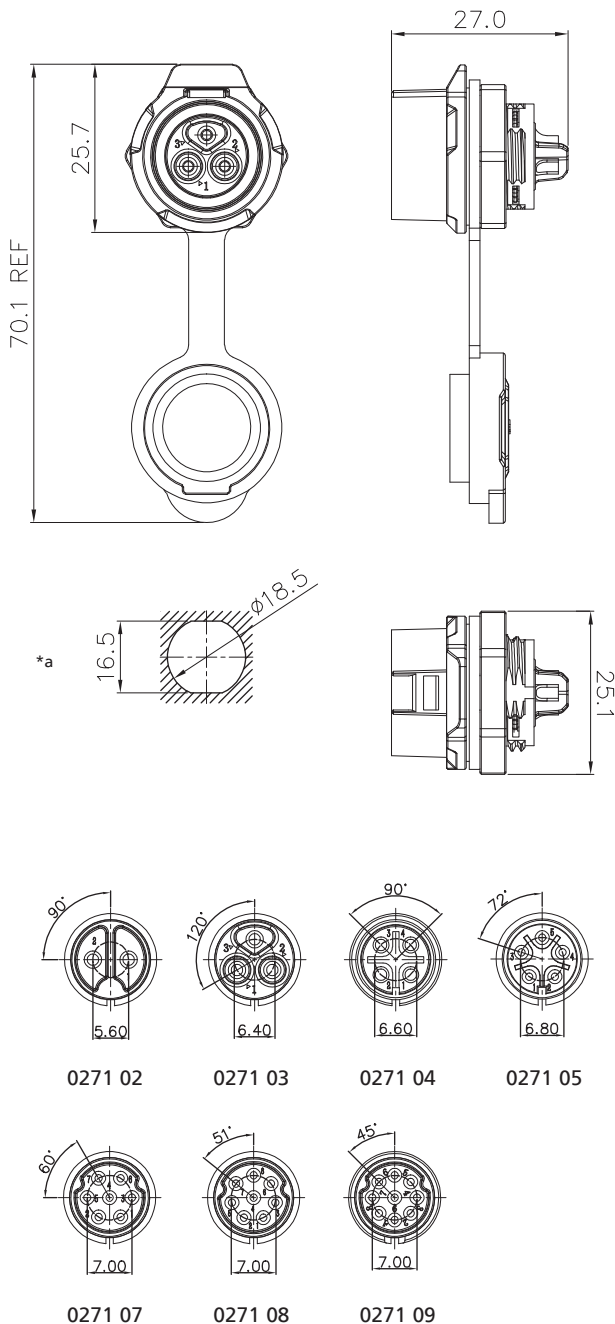
Quicklock circular connectors, IP67



Quicklock chassis socket, IP67, size 16, straight version,  
with plastic housing, solder terminals and protecting cap  
(IP65)

02

0271



\*a port

**Environmental conditions**

Temperature range -40 °C/+80 °C

**Materials**

Insulating body PBT, V-0 according to UL94  
 Contact bush CuSn, gold-plated  
 Housing PBT, V-0 according to UL94  
 Cap SI  
 Hexagonal nut PBT, V-0 according to UL94

**Mechanical data**

Mating cycles 1700  
 Insertion force ≤ 90 N  
 Withdrawal force ≤ 40 N  
 Protection class IP67 (protecting cap IP65)

**Electrical data (at T<sub>amb</sub> 20 °C)**

Contact resistance ≤ 5 mΩ  
 Rated current 10 A (2-4 poles)  
 5 A (5-9 poles)  
 Rated voltage 400 V  
 Rated impulse voltage 2500 V AC  
 Creepage distance ≥ 2 mm  
 Clearance ≥ 2 mm  
 Insulation resistance > 500 MΩ

**Associated products**

Counterparts  
 ☞ 0251

02

0271

Designation	Pole Number	PU (Pieces)	MDQ (Pieces)
0271 02	2	10	50
0271 03	3	10	50
0271 04	4	10	50
0271 05	5	10	50
0271 07	7	10	50
0271 08	8	10	50
0271 09	9	10	50

**Packaging:**

in individual plastic bags, in a cardboard box