

## VICES AND ACCESSORIES

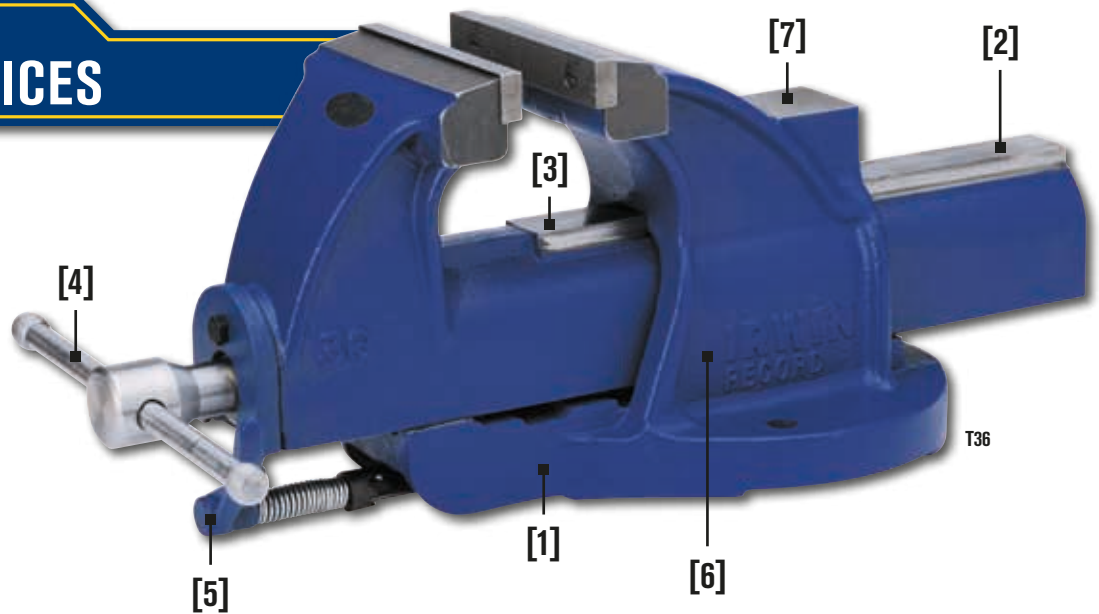
IRWIN® Record® Vices have become the benchmark by which all other vices are measured. Design, choice of materials and manufacturing disciplines each set very high standards which, for the end user, translate into safety, reliability and excellent value.

### ENGINEERS' VICE - LIFETIME VICE RANGE

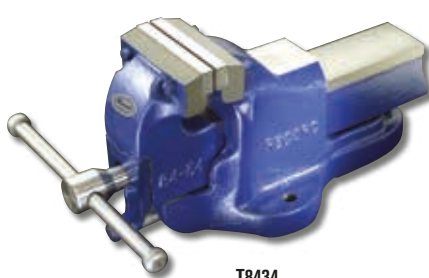
Designed for heavy-duty work, these vices are made from S.G. Ductile Iron with an integral anvil for shaping and beating, together with a quick-release mechanism for rapid slide adjustment. The reinforced body and slide, large diameter main screw allow these vices with the working strength and resilience to withstand the most demanding work. Fitters' vices are similar in design to Engineers' however made of close grained gray iron instead of S.G. Ductile Iron. Full line of replacement parts available.

## ENGINEERS' AND FITTERS' VICES

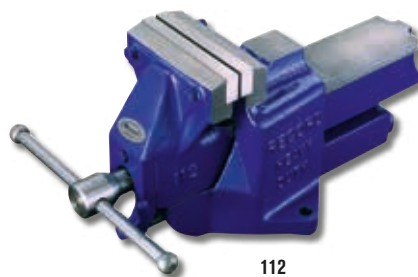
1. **IRWIN® ENGINEERS' VICES**  
Are made from S.G. Ductile Iron with high-impact resistance, guaranteeing strength and long life.
2. **SAFETY STOP**  
Prevents the slide from being separated from the body.
3. **FULLY MACHINED**  
On all load-bearing surfaces for smooth and troublefree operation.
4. **FUSED STEEL HANDLE**  
Will bend before the vice can be overstressed.
5. **QUICK-RELEASE MECHANISM**  
Disengages the main screw, allowing rapid movement of the slide.
6. **UNBREAKABLE SG IRON NUT**  
Can be replaced when worn.
7. **INTEGRAL ANVIL**



VICES



T8434



112



T25

**SPARE PARTS ALSO AVAILABLE**  
SEE PAGE 59

Item No.	Description	EAN	Master Pack	Shelf Pack	LP Ex VAT £ / Item	RRP Inc VAT £ / Item	DISC. CODE
T8434	Engineers Vice 4-1/2" / 115mm**	0734442019442	42	1	574.98	689.98	RI
T36	Engineers Vice 6" / 150mm** (Irregular Shape)	0734442019206	18	1	990.17	1188.20	
112	Engineers Vice 6" / 150mm**	0734442019565	22	1	925.03	1110.04	
114ZR	Engineers Vice 8" / 205mm**	0734442019688	22	1	1275.98	1531.18	
23ZR	Fitters Vice 4-1/2" / 115mm	0734442001089	28	1	427.05	512.46	
T25	Fitters Vice 6" / 150mm	0734442001201	22	1	566.15	679.38	

\*\*S.G. Ductile Iron is strong and flexible with similar characteristics to steel and is virtually unbreakable. Heavy duty vices manufactured from this material are designed to take much more punishing workloads than normal vices.