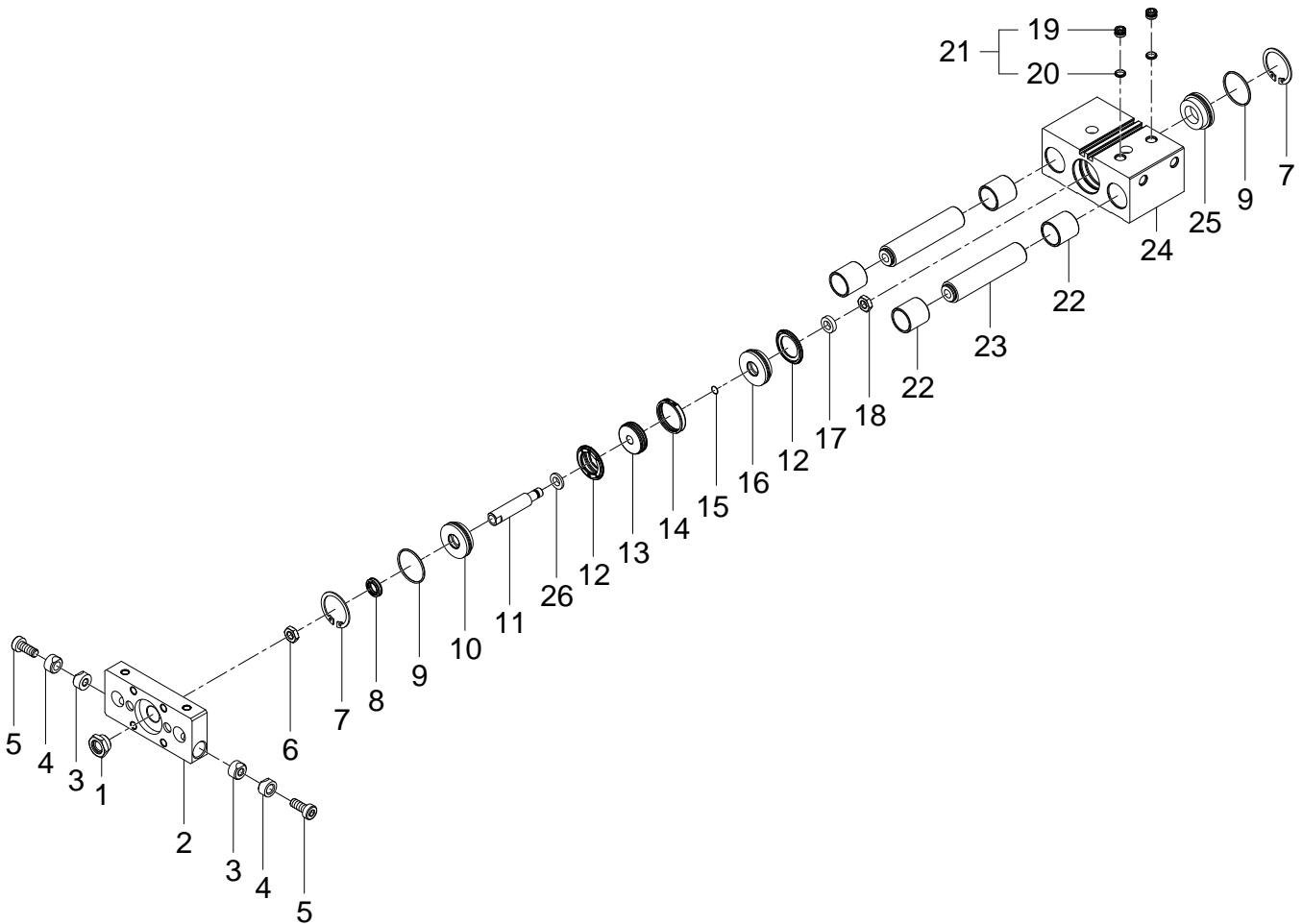


170879 DFM-63-50-P-A-GF Guided drive - Series till 09-2006



170879 DFM-63-50-P-A-GF Guided drive - Series till 09-2006

Pos.	Part no.	Type	Note	Qty.	Unit
A	383669	DFM- 63-PA BIS U8 Set of wearing parts	Spare parts: 8, 9, 12, 15, 20, 26 Replacing the wearing parts	1	PC
1	377740	M12X1,25 Collar nut	Use locking compound 8181256 CYBERBOND TM44 Tightening torque 37.8 Nm / 27.9 lbf ft	1	PC
2	671949	DFM-63-P-A End plate		1	PC
3	368225	M 8 Clamping piece		2	PC
4	368224	M 8 Clamping piece		2	PC
5	354152	DIN 6912-M8X20-8.8 Socket head screw	Use locking compound 8181256 CYBERBOND TM44 Tightening torque 24 Nm / 17.7 lbf ft	2	PC
6	387996	M12X1,25-1.0715 Hex nut	Use locking compound 8181256 CYBERBOND TM44 Tightening torque 37.8 Nm / 27.9 lbf ft	1	PC
7	401262	DIN 472-65X2,5 Retaining ring		2	PC
8		WIFC1-16X20,5X4-TPE-U Wiper seal	Not available separately, see position A Lubricate with 684474 LUB-KC1 during assembly	1	PC
9		B-62X1,5-N-NBR70 O-ring ISO3601	Not available separately, see position A Lubricate with 684474 LUB-KC1 during assembly	2	PC
10	713448	DFM-63- -P-A Bearing cap		1	PC
11	368249	KS D03 16 S0063 Piston rod	No longer available. Please order from product series U9 the components with position nos. 11+14+16+17+999.	1	PC
12		ADVU-63 Piston seal	Not available separately, see position A Lubricate with 684474 LUB-KC1 during assembly	2	PC
13		AEVU- 63 Piston magnet	Not available	1	PC
14	338256	59,75X50,5X5 Ring magnet		1	PC
15		B-10X1,5-N-NBR75 O-ring ISO3601	Not available separately, see position A Lubricate with 684474 LUB-KC1 during assembly	1	PC
16		ADVU- 63 Piston	Not available	1	PC
17	338413	DIN 7349-10,5 Disc		1	PC
18	211437	DIN 439-B-M10X1,25-04 Hex nut	Use locking compound 8181256 CYBERBOND TM44 Tightening torque 23 Nm / 17.0 lbf ft	1	PC
19		G1/4A Plug screw	Not available separately, see position 21	2	PC
20		9,4X12,2X3,6 Sealing ring	Not available separately, see position 21+999	2	PC
21	116516	G1/4 Plug screw		2	PC
22		DFM-50 Plain bearing	Not available	4	PC
23	368200	DFM-50/63-50-P-A-GF Guide rod		2	PC
24		DFM- 63- 50PA Housing	Not available Lubricate with 684474 LUB-KC1 during assembly	1	PC
25		DFM-63- -P-A End cap	Not available	1	PC
26		DFM-50/63 Cushioning ring	Not available separately, see position A	1	PC