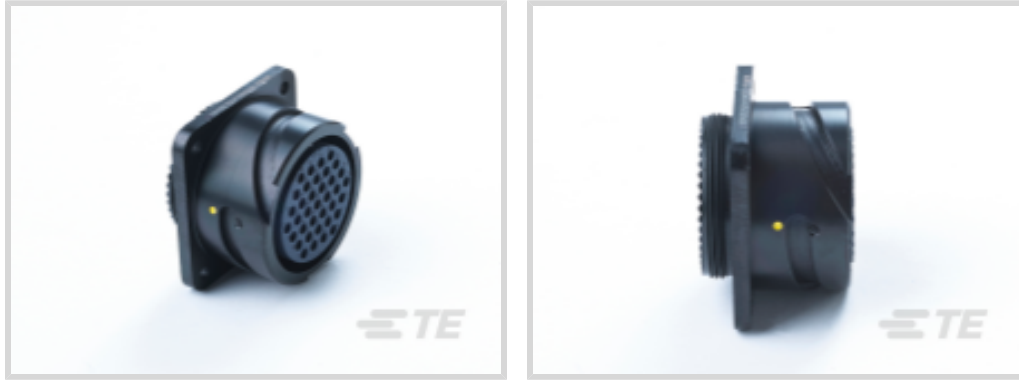




Connectors > Circular Connectors > Standard Circular Connectors



Connector System: **Cable-to-Cable, Wire-to-Wire**

Connector Mounting Type: **Panel Mount**

Number of Positions: **60**

Connector & Contact Terminates To: **Wire & Cable**

Circuit Application: **Power & Signal**

## Features

### Product Type Features

Prewired	No
Connector Product Type	Connector Assembly
Connector System	Cable-to-Cable, Wire-to-Wire
Connector & Contact Terminates To	Wire & Cable
Circular Connector Type	Receptacle
Shell Type	Metal

### Configuration Features

Factory Installed Backshell	Without
Number of Positions	60
Contacts Preloaded	No

### Body Features

Primary Product Color	Black
Shell Plating Material	Black Chromate Over Zn Cobalt
Shell Base Material	Aluminum Alloy
Circular Connector Insulation Material Type	Low Fire Hazard Rubber

### Contact Features

Reverse Gender	Yes
Contact Layout Arrangement	40 – A60
Circular Connector Contact Type	Socket



### Mechanical Attachment

Panel Mount Feature Type	Square Flange
Mating Retention Type	Bayonet
Mating Alignment	With
Connector Mounting Type	Panel Mount
Mating Alignment Type	Keyed
Mating Retention	With

### Housing Features

Circular Connector Shell Size	40
-------------------------------	----

### Usage Conditions

IP Water Sealing Level	IP67
------------------------	------

### Operation/Application

Circuit Application	Power & Signal
Shielded	Yes

### Packaging Features

Packaging Quantity	10
--------------------	----

### Other

Field Serviceable	Yes
Position Locations Omitted	All

### Product Compliance

[For compliance documentation, visit the product page on TE.com>](#)

EU RoHS Directive 2011/65/EU	Compliant with Exemptions
EU ELV Directive 2000/53/EC	Not Yet Reviewed
China RoHS 2 Directive MIIT Order No 32, 2016	Restricted Materials Above Threshold
EU REACH Regulation (EC) No. 1907/2006	Current ECHA Candidate List: JAN 2025 (247) Candidate List Declared Against: JUL 2017 (174) SVHC > Threshold: Not Yet Reviewed
Halogen Content	Not Yet Reviewed for halogen content
Solder Process Capability	Not applicable for solder process capability

## Product Compliance Disclaimer

This information is provided based on reasonable inquiry of our suppliers and represents our current actual knowledge based on the information they provided. This information is subject to change. The part numbers that TE has identified as EU RoHS compliant have a maximum concentration of 0.1% by weight in homogenous materials for lead, hexavalent chromium, mercury, PBB, PBDE, DBP, BBP, DEHP, DIBP, and 0.01% for cadmium, or qualify for an exemption to these limits as defined in the Annexes of Directive 2011/65/EU (RoHS2). Finished electrical and electronic equipment products will be CE marked as required by Directive 2011/65/EU. Components may not be CE marked. Additionally, the part numbers that TE has identified as EU ELV compliant have a maximum concentration of 0.1% by weight in homogenous materials for lead, hexavalent chromium, and mercury, and 0.01% for cadmium, or qualify for an exemption to these limits as defined in the Annexes of Directive 2000/53/EC (ELV). Regarding the REACH Regulations, TE's information on SVHC in articles for this part number is still based on the European Chemical Agency (ECHA) 'Guidance on requirements for substances in articles' (Version: 2, April 2011), applying the 0.1% weight on weight concentration threshold at the finished product level. TE is aware of the European Court of Justice ruling of September 10th, 2015 also known as O5A (Once An Article Always An Article) stating that, in case of 'complex object', the threshold for a SVHC must be applied to both the product as a whole and simultaneously to each of the articles forming part of its composition. TE has evaluated this ruling based on the new ECHA "Guidance on requirements for substances in articles" (June 2017, version 4.0) and will be updating its statements accordingly.

## Customers Also Bought



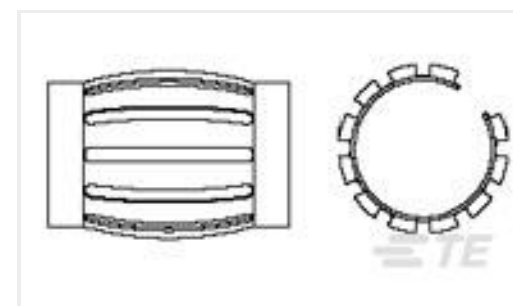
TE Part #8-34141-1  
PG R 22-16 COMM 22-18 MIL 4



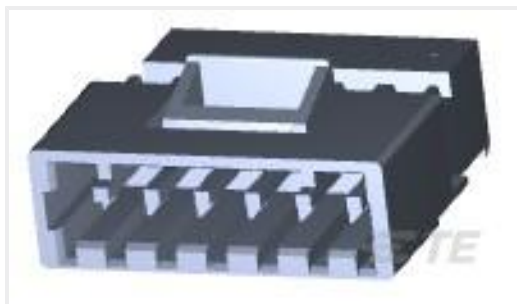
TE Part #66581-2  
TYPE VI PIN CONT, MULTI-MATE



TE Part #66584-2  
TYPE VI SKT CONT, MULTI-MATE



TE Part #5-192039-4  
LA3S .157, .008, NI



TE Part #3-641436-6  
06P MTA156 PST CONN ASSY LF



TE Part #2-6609115-4  
6EGG1C-1 S0=F7384



TE Part #Y5015-000000100111  
SIZE 16 PIN CONTACT



TE Part #Y5015-000000100113  
SIZE 16 SOCKET CONTACT



TE Part #Y5015-000000100034  
FREE SOCKET CONNECTOR



TE Part #Y5015-000000100033  
FREE PIN CONNECTOR

## Documents

## Product Drawings

## FIXED SOCKET CONNECTOR

French



### Datasheets & Catalog Pages

[CIRH Brochure](#)

English

---

### Product Specifications

[CIRH Series Assembly and Wiring Instructions](#)

French