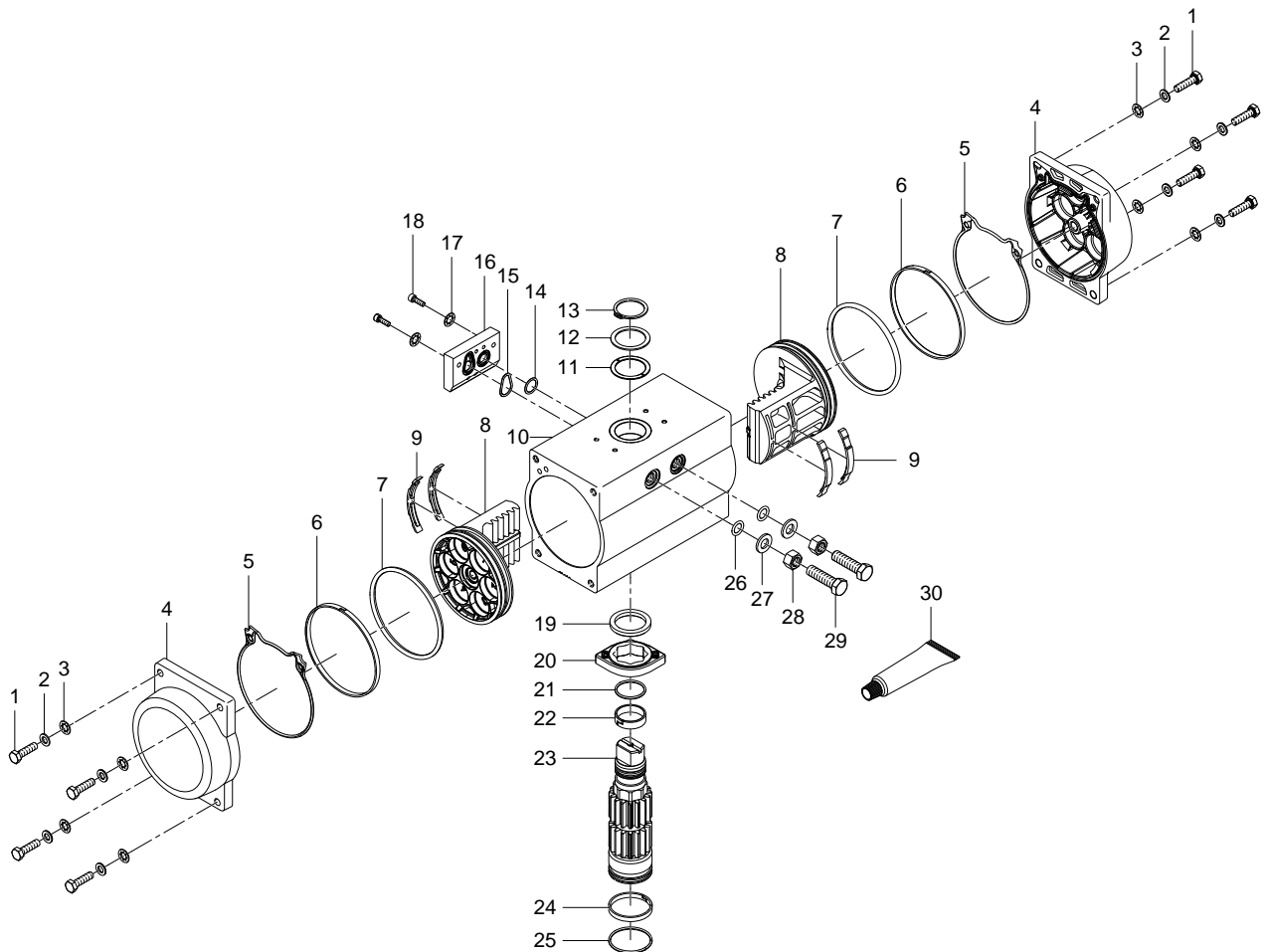


8048127 DFPD-480-RP-90-RD-F1012 Semi-rotary drive - Series: All



8048127 DFPD-480-RP-90-RD-F1012 Semi-rotary drive - Series: All

Pos.	Part no.	Type	Note	Qty.	Unit
A	8060120	DFPD-480-.. Set of wearing parts	Spare parts: 3, 5, 6, 7, 9, 11, 13, 14, 15, 17, 19, 21, 22, 24, 25, 26, 27, 28, 29, 30 ▶ Replacing the wearing parts	1	PC
1		ISO 4017-M10X35-A2-70 Hexagon head screw	Not available Tightening torque 40.5 Nm / 29.9 lbf ft	8	PC
2		10,3X19X2-1.4301 Ring	Not available	8	PC
3		DIN 6797-J-10,5-A2-70 Toothed disc	Not available separately, see position A	8	PC
4		DFPD-480-D/S End cap	Not available	2	PC
5		DFPD-480 Moulded seal	Not available separately, see position A	2	PC
6		DFPD-480-../T6 Slip ring	Not available separately, see position A ▶ Repair note: Slip_ring	2	PC
7		134X6-N-NBR70 O-ring	Not available separately, see position A	2	PC
8		DFPD-480-90 Piston	Not available Lubricate with SYNTHY POLYMER 402/2 during assembly	2	PC
9		DFPD-480-../T6 Slide element	Not available separately, see position A	4	PC
10		DFPD-480-90-F1012-AN Housing	Not available Lubricate with SYNTHY POLYMER 402/2 during assembly	1	PC
11		DFPD-480-../T6 Slip ring	Not available separately, see position A ▶ Repair note: Slip_ring	1	PC
12		DIN 988-42X52X2-A2 Shim	Not available	1	PC
13		DIN 471-42X1,75-A2 Retaining ring	Not available separately, see position A	1	PC
14		B-16X2-N-NBR70 O-ring ISO3601	Not available separately, see position A	1	PC
15		B-21X2-N-NBR70 O-ring ISO3601	Not available separately, see position A	1	PC
16		DFPD-240/300/480-AN Sub-base	Not available	1	PC
17		J-5,1-A2-70 Toothed disc	Not available separately, see position A	2	PC
18		ISO 4762-M5X16-A2-70 Socket head screw	Not available Tightening torque 7 Nm / 5.2 lbf ft	2	PC
19		DFPD-480-../T6 Slip ring	Not available separately, see position A ▶ Repair note: Slip_ring	1	PC
20		DFPD-480-90 Cam	Not available	1	PC
21		B-35X3,5-N-NBR70 O-ring ISO3601	Not available separately, see position A	1	PC
22		DFPD-480-../T6 Slip ring	Not available separately, see position A ▶ Repair note: Slip_ring	1	PC
23		DFPD-480-KT27 Shaft	Not available Lubricate with SYNTHY POLYMER 402/2 during assembly	1	PC
24		DFPD-480-../T6 Slip ring	Not available separately, see position A ▶ Repair note: Slip_ring	1	PC
25		B-55,56X3,53-N-NBR70 O-ring ISO3601	Not available separately, see position A	1	PC
26		B-13X3,5-N-NBR70 O-ring ISO3601	Not available separately, see position A	2	PC

Pos.	Part no.	Type	Note	Qty.	Unit
27		14,3X28X4-1.4301 Ring	Not available separately, see position A	2	PC
28		ISO 4032-M14-A2-70 Hex nut	Not available separately, see position A Tightening torque 87.5 Nm / 64.5 lbf ft	2	PC
29		DFPD-480/700 adjusting screw	Not available separately, see position A	2	PC
30		SYNTHY POLYMER 402/2 Lubricating grease	SYNTHY POLYMER 402-2 Lubricating grease Not available separately, see position A	1	PC