

FLOJET

a xylem brand

01740 series

PUMP INLET STRAINER

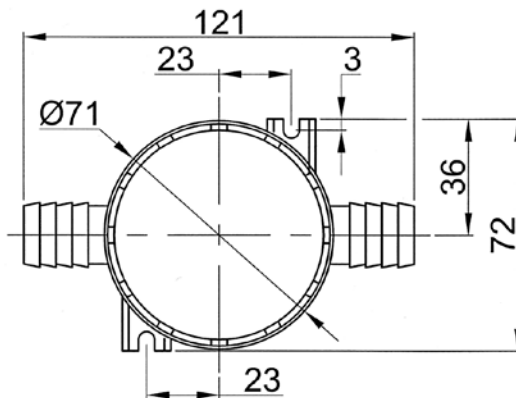
With 40 mesh (fine) stainless steel filter screen

- ◆ Prevents unnecessary pump breakdowns caused by particles in the water
- ◆ Transparent housing allows instant inspection
- ◆ Screw top allows quick in-place cleaning and debris removal

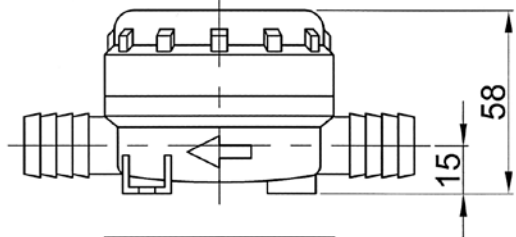
01740000 – Fresh Water Pump Inlet Strainer for 19mm (3/4") ID hose

01740002 – Fresh Water Pump Inlet Strainer for 13mm (1/2") ID hose

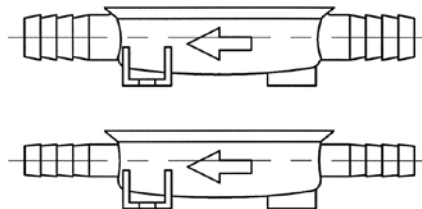
01740003 – Fresh Water Pump Inlet Strainer for 9.5mm (3/8") ID hose



01740000
19mm (3/4") I.D. HOSE



01740002
13mm (1/2") I.D. HOSE



01740003
9.5mm (3/8") I.D. HOSE

DOC662/13