



MICRO SWITCH

FREEPORT, ILLINOIS, U.S.A.
A DIVISION OF HONEYWELL

FED. MFG. CODE 91929

ACTUATOR-SWITCH

CATALOG LISTING

JS-224

JS-224

M

DRAWING NUMBER

3A

3A

ISSUE

5

REPLACES

RELEASE NO.

CHECK

CHECK

REVISIONS

A	CO21422	WEG	22 JUNE 66
B	CO47771	CMH	17 MAY 80
C	CO79303	DLT	8 MAR 95

28 JUN '66

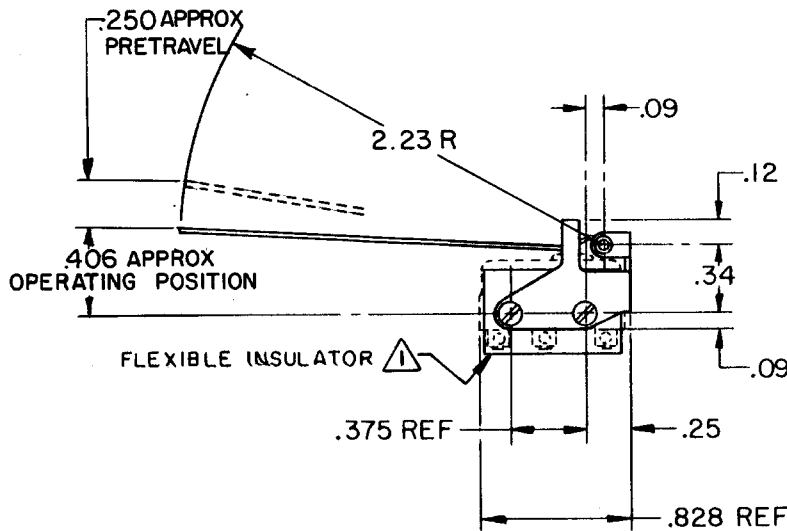
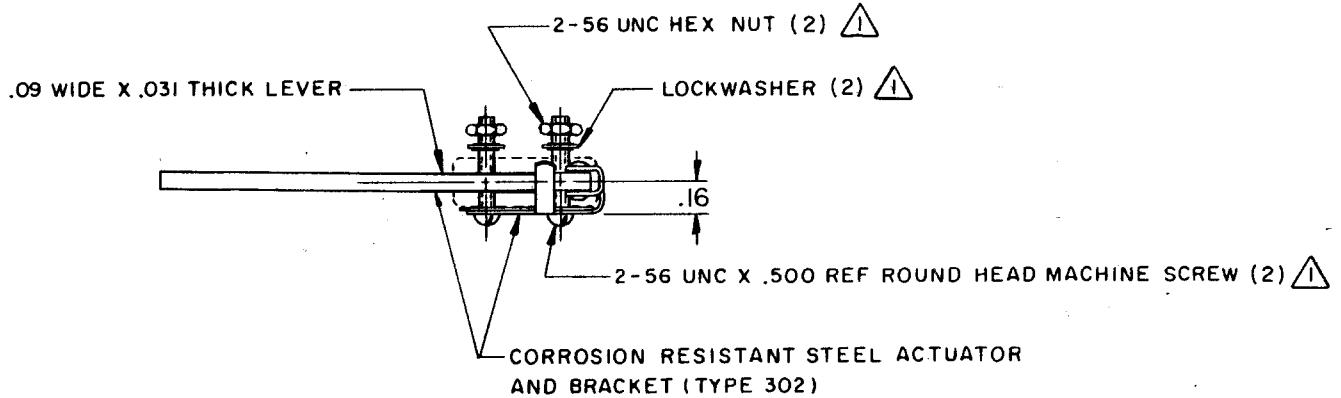
LSD

CHECK

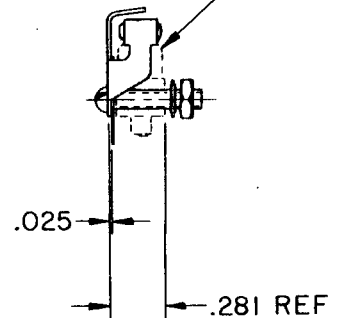
WEG 22 JUNE 66

DRAWN

FO-30376



DOTTED LINES INDICATE BASIC SWITCH IN PLACE



NOTE - FURNISHED UNASSEMBLED

THIS DRAWING COVERS A PROPRIETARY ITEM AND IS THE PROPERTY OF MICRO SWITCH, A DIVISION OF HONEYWELL. THIS DRAWING IS NOT TO BE COPIED OR USED WITHOUT THE APPROVAL OF MICRO SWITCH.

CHARACTERISTICS WITH ISMI BASIC SWITCH INSTALLED

OPERATING FORCE	----- 1 OZ MAX
RELEASE FORCE	----- 2 GRAMS MIN
DIFFERENTIAL TRAVEL	----- .065 MAX
OVERTRAVEL	----- .045 MIN

ELECTRICAL DATA

CONTACT ARRANGEMENT

SCALE FULL

DO NOT SCALE PRINT

UNLESS OTHERWISE NOTED
DIMENSIONS ARE IN INCHES

TOLERANCES ARE:

ONE PLACE	(.0)	±.030
TWO PLACE	(.00)	±.015
THREE PLACE	(.000)	±.005
ANGLES		±

WEIGHT