

Products

Micro Speaker

Micro Speaker

Micro Speaker

KDSG30008

PRINT

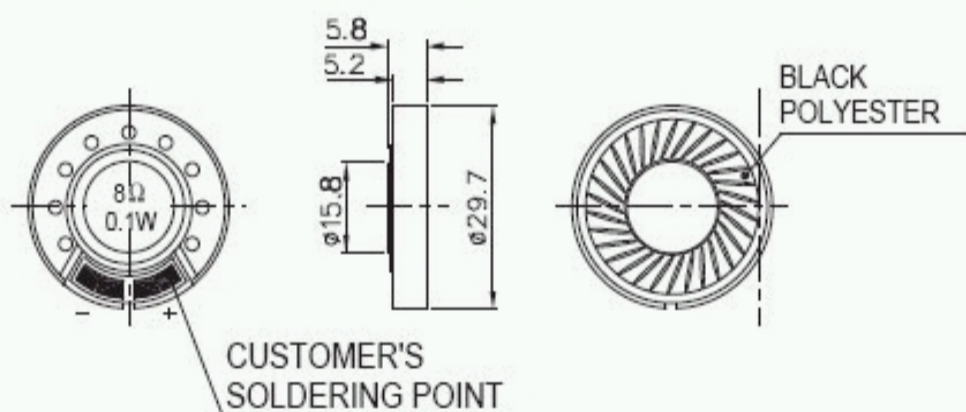
Shape

KDSG30008



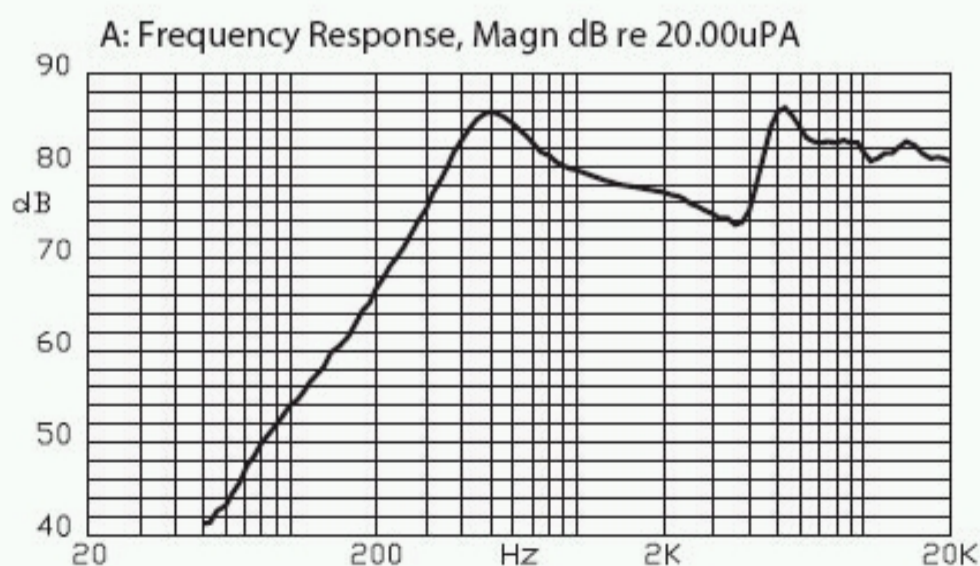
|                             |                                  |
|-----------------------------|----------------------------------|
| Rated Input(W)              | 0.1                              |
| Maximum Input(W)            | 0.2                              |
| Impedance ( ? )             | 8±15%@1.0KHz 1.0V                |
| Rated Frequency (Hz)        | 460±20%@1.0V                     |
| Sound Pressure Level (dB)   | 88±3dB(0.1w/10cm),78 ±3dB(1w/1m) |
| Frequency Range (Hz)        | Fo--5K                           |
| Magnet (mm)                 | ∅5x1.5 Nd-Fe-B                   |
| Operating Temperature ( ? ) | -20~+55                          |
| Weight (Gram)               | 4.5                              |
| Material                    | ABS                              |

Dimension



Tol : ±0.3 Unit : mm

Characteristic / Schematic Diagram



Back

TOP

Part Number Search

Send

Hot Product



High SNR Microphone

∅10\*4.5

[More info](#)



Array Microphone

24 x 8 x 2.8

[More info](#)

NEWS

▶ ? [electronica 2010 ?](#)  
 Hall B6, Booth  
 No.118 **NEW** [..More info](#)

▶ ? [TAITRONICS](#)  
 2010? Taipei World  
 Trade Center  
 Nangang Exhibition  
 Hall,Booth  
 No.L1019/1021 **NEW**  
[..More info](#)

▶ [KINGSTATE Ultra-Thin ESL Speaker and Danish AM3D Audio Software Demo Event Successfully Held On May 12, 2010](#) **NEW** [..More info](#)