



AMP★ INSERTION/EXTRACTION TOOL
230238-1

REDUCED FOR PACKAGING

Instruction Sheet
IS 7787
RELEASED 1-30-76

CONTACT SELECTION CHART					
COLOR DOT ON CONN.	LETTER ON CONT.	AWG WIRE SIZE		CONTACT NO. FOR:	
		SOLID	STRANDED	MALE CONN.	FEMALE CONN.
Green	C	22	22	552087-1	552063-1
Red	A	24	None	229903-1	229905-1
Blue	B	26	24	229972-1	229973-1
Yellow	E	None	26-27-28	552279-1	552281-1

INSERTION/EXTRACTION TOOL 230238-1

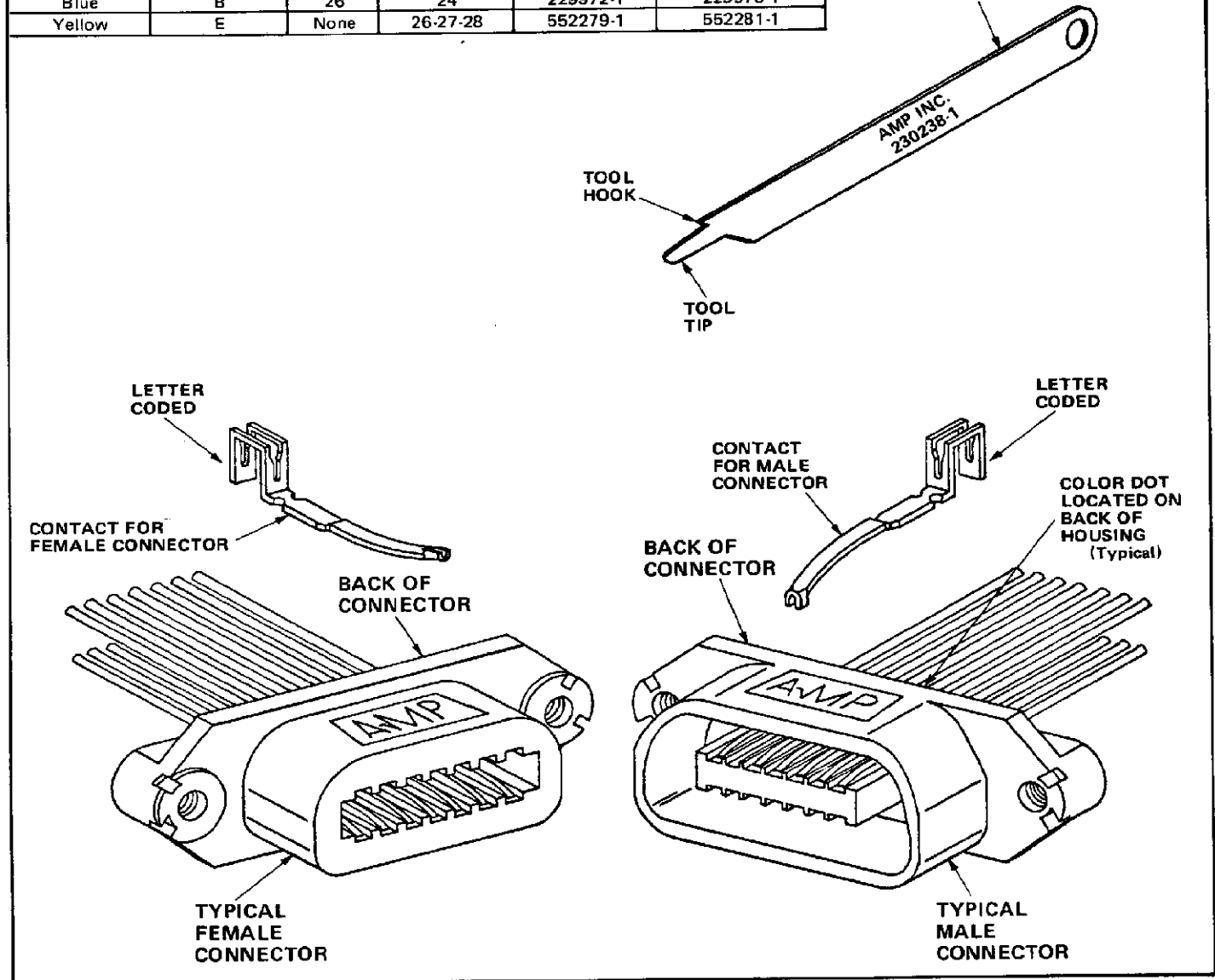


FIGURE 1

1. INTRODUCTION

This instruction sheet (IS) covers the use of the AMP Insertion/Extraction Tool 230238-1. This tool is designed to replace damaged contacts in the AMP CHAMP★ Male and Female Connectors. See Figure 1.

Read this material thoroughly before starting.

2. DESCRIPTION

The functional end of this tool has a specially contoured hook and tip. The hook is designed to release contact barb, and the tip is designed to extract and insert contacts. See Figure 1. Proper use of this tool will prevent damage to the wire, contact, and housing.

© Copyright 1976 by AMP Incorporated, Harrisburg, Pa. All International Rights Reserved. AMP Incorporated products covered by U.S. and Foreign patents and/or patents pending.

★TRADEMARK OF AMP INCORPORATED

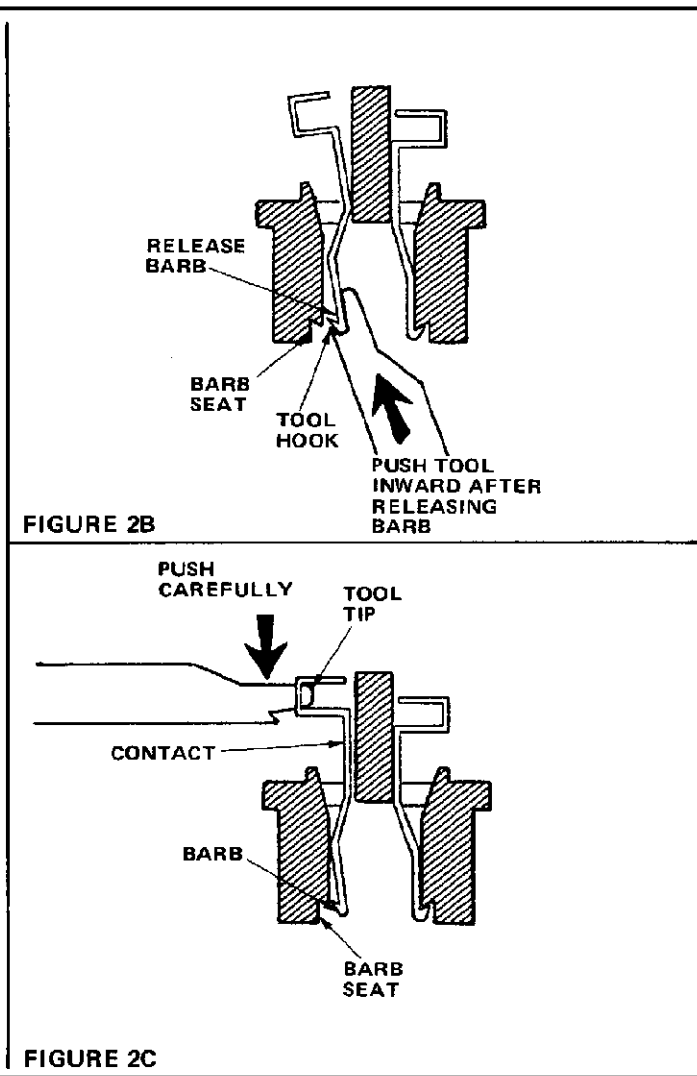
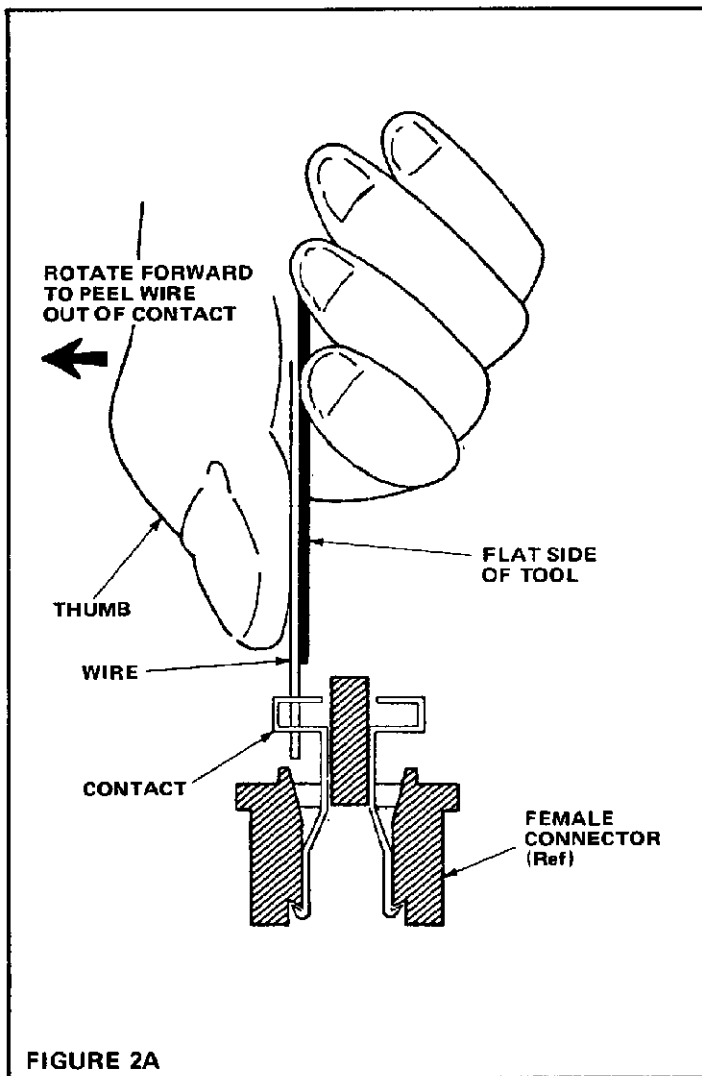


FIGURE 2

3. REPLACING A DAMAGED CONTACT

A female connector has been used to illustrate the use of this tool, however, the following procedure is recommended for both male and female connectors. Note that the procedure is for terminated connectors, if the damaged contact is removed from an unterminated connector — simply omit Steps 1 and 8.

Proceed as follows:

1. Place the wire on the flat side of the tool, then, supporting the wire with your thumb, gently peel the wire out of the contact slot. See Figure 2A.
2. Position the hook of the tool over the contact barb and pry the barb away from the seat in the housing . . . then, to prevent re-engagement of the contact barb, push inward on the tool to start the contact out of the housing. See Figure 2B.
3. Insert the tip of the tool into the contact slot and pull the contact straight out the back of the housing. See Figure 2C.

4. Discard the damaged contact.

5. Check the color code dot on the back of the housing — then refer to the chart in Figure 1 and select the applicable contact. (Also note that the contacts are letter coded to correspond with the wire size to be used.)

6. Start the contact into the back of the housing, then carefully guide the contact through the contact cavity.

7. Using care, place the tool tip in the contact slot and push the contact straight into the housing until the contact is bottomed. Check to be sure the contact barb enters the seat properly. See Figure 2C.

8. Replace the wire with the AMP T-Handle Insertion Tool 229384-1. Refer to the AMP Instruction Sheet IS 7558 packaged with the tool for the proper insertion procedure.