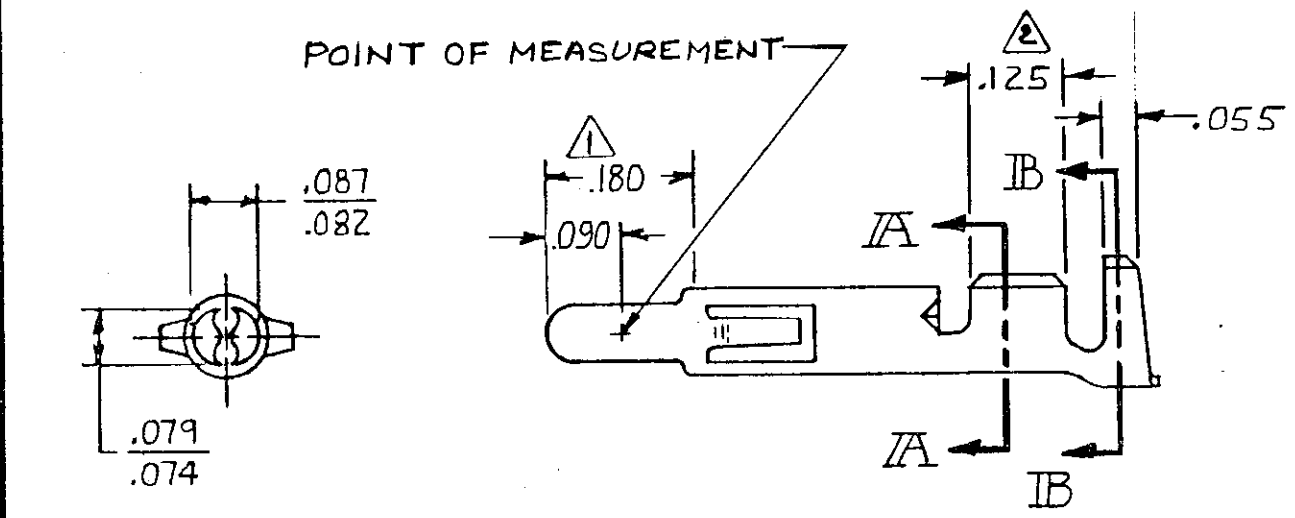
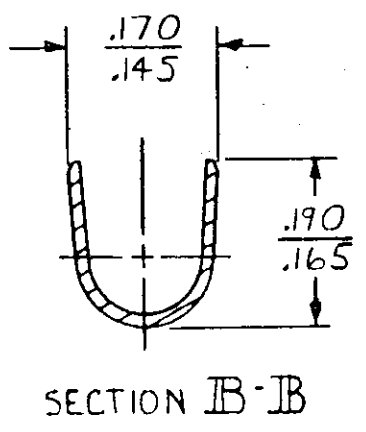
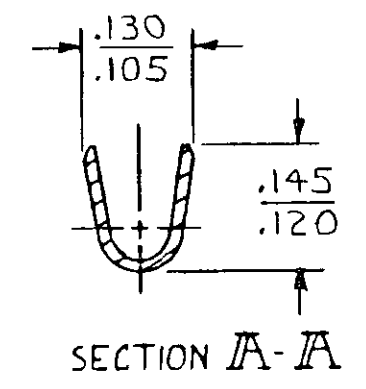
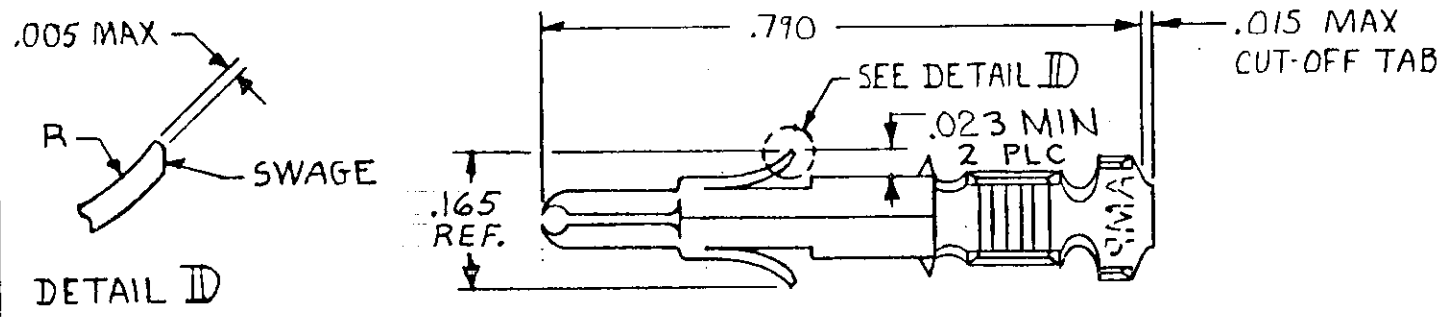


© COPYRIGHT

REVISIONS						
P	F	ZONE	LTR	DESCRIPTION	DATE	APPROVED
			J1	REVISED PER ECO-11-005294	07APR11	HMR



⚠️ PLATED WITH .000030 GOLD, OVER .000050 NICKEL UNDERPLATE.  
 ⚠️ PLATED INTERNALLY WITH .000030 GOLD.

MATERIAL	FINISH	PART NO
.012 BRASS	GOLD ⚠️	350705-7
.012 BRASS	GOLD ⚠️/⚠️	350705-2
	PRE-TIN	350705-1

UNLESS OTHERWISE SPECIFIED DIMENSIONS ARE IN INCHES. TOLERANCES ON: DECIMALS ±.015 ANGLES ±	CONTRACT NO	TE Connectivity		
	DR <i>m.FEHER 4-8-81</i>			
	CHK <i>D.S. Heide 4/9/81</i>	NAME	SPLIT PIN, (LOOSE PIECE) UNIVERSAL MATE-N-LOK	
	APPR <i>R. Colachuk 6-10-81</i>	SIZE	CODE IDENT NO	DRAWING NO
WIRE RANGE 20-14 AWG	DSGN APPD	<b>B</b>	<b>00779</b>	<b>350705</b>
INSULATION RANGE .130 DIA MAX	OTHER APPD	SCALE 4-1	SHEET	