



Electrical features

Number of poles	Nr.	4
Rated current ($\leq 40^{\circ}\text{C}$)	A	400
Electronic overload trip adjustment range	A	160...400
Electronic short circuit trip adjustment range	A	240...4000
AC rated operation voltage U_e	V	690
Rated insulation voltage U_i	V	1000
Rated impulse withstand voltage U_{imp}	kV	8
Short circuit breaking capacity I_{cu}		
	220...240VAC 50/60Hz	kA 100
	380...415VAC 50/60Hz	kA 65
	440...460VAC 50/60Hz	kA 65
	480...500VAC 50/60Hz	kA 42
	525VAC 50/60Hz	kA 22
	660...690VAC 50/60Hz	kA 10
Short circuit breaking capacity I_{cs}		
	220...240VAC 50/60Hz	kA 100
	380...415VAC 50/60Hz	kA 65
	440...460VAC 50/60Hz	kA 65
	480...500VAC 50/60Hz	kA 42
	525VAC 50/60Hz	kA 22
	660...690VAC 50/60Hz	kA 10
Heat dissipation per pole (max)	W	48

Mechanical features

Terminals	screw tool	M10 x 30 Metric Allen key 8
Tightening torque for terminals	max	Nm 48
	max	lbin 425
Mounting position	normal allowable	On vertical plan Any
Fixing		Screw
Weight	g	7200
Mechanical life	cycles	20000
Electrical life	cycles	10000
Dimensions (W x H x D)	mm	186x260x110

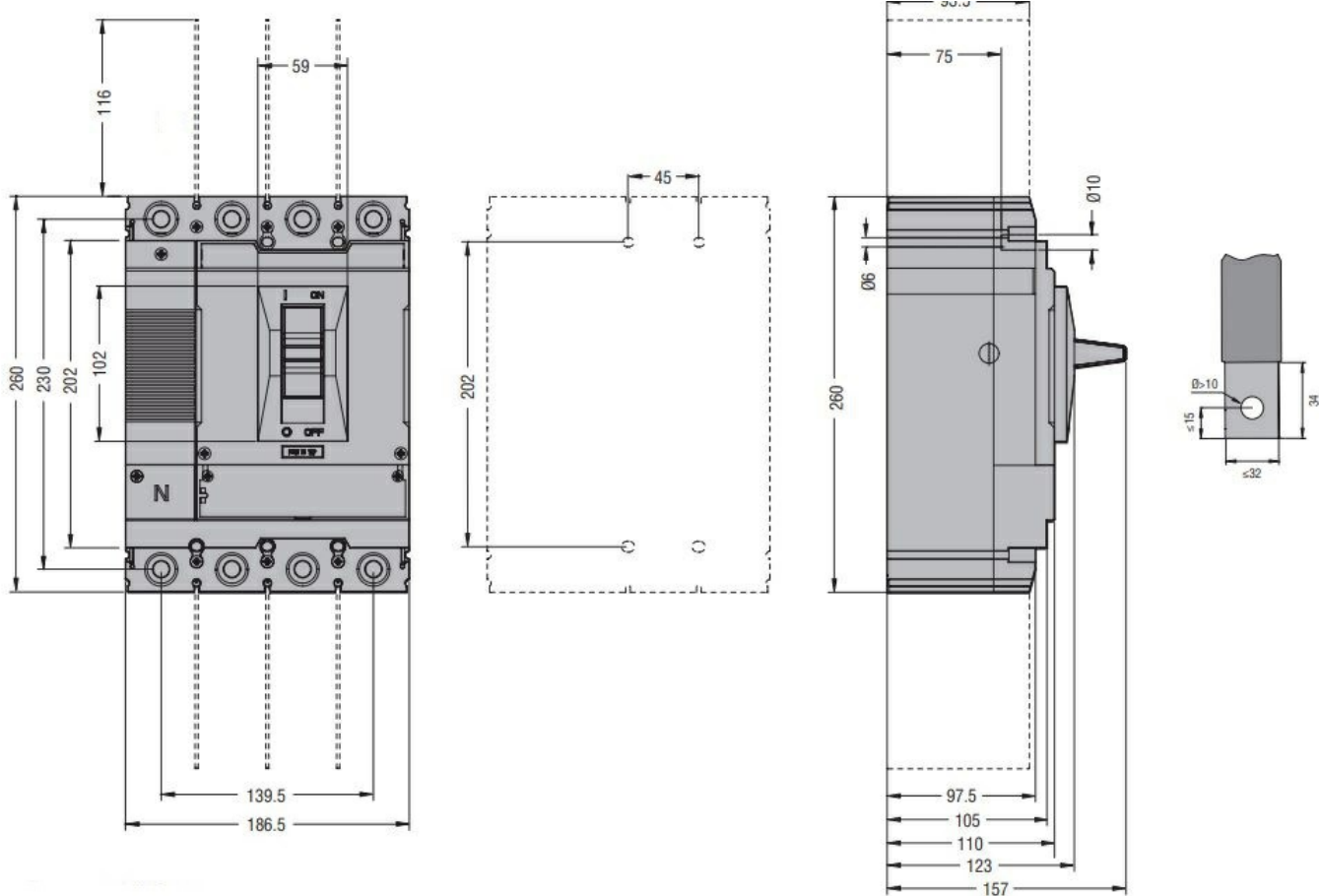
Ambient conditions

Temperature			
Operating temperature	min	$^{\circ}\text{C}$	-20
	max	$^{\circ}\text{C}$	+70
Storage temperature	min	$^{\circ}\text{C}$	-40

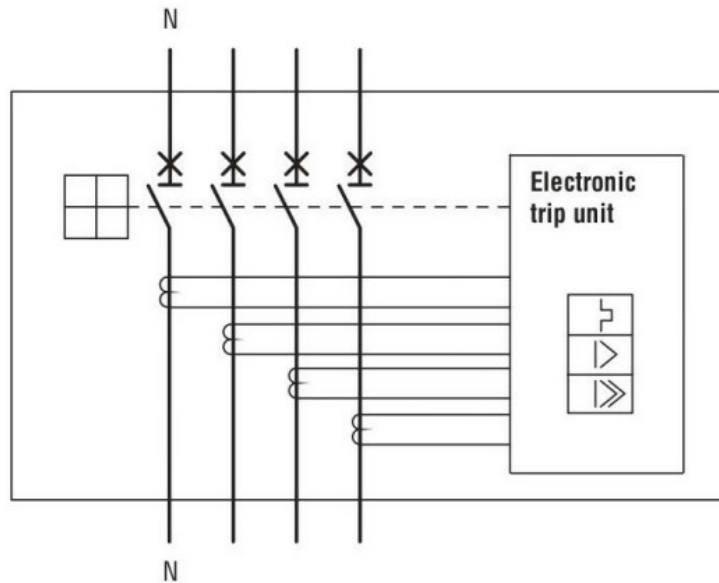
Current derating for temperature >40°C	max °C	+80
	50°C	375
	60°C	353
	70°C	328

Resistance & Protection	IP20
Frontal IP degree	IP20

Dimensions



Wiring diagrams



ETIM classification

EC000066 - Power contactor, AC switching