

Adapter plate - HC-B 16-ADP/1 DSUB 50 - 1775538

Please be informed that the data shown in this PDF Document is generated from our Online Catalog. Please find the complete data in the user's documentation. Our General Terms of Use for Downloads are valid (<http://phoenixcontact.com/download>)




D-SUB adapter plate, for one D-SUB connector, no. of positions 50, housing series HC-B 16...

The illustration shows version HC-B 16-ADP/1 DSUB 37



Key commercial data

| | |
|--------------------------------------|---|
| Packing unit | 2 pc |
| Minimum order quantity | 2 pc |
| GTIN |  4 017918 038137 |
| Weight per Piece (excluding packing) | 14.51 g |
| Custom tariff number | 85472000 |
| Country of origin | Germany |
| Note | Made to Order (non-returnable) |

Technical data

Dimensions

| | |
|---------------------------------|---------|
| Length | 85 mm |
| Height | 34.5 mm |
| Hole diameter | 3.2 mm |
| Drill hole distance, horizontal | 77.5 mm |
| Drill hole distance, vertical | 27 mm |

General

| | |
|---|--------------------|
| Note | For housing HC-B16 |
| Material | PA |
| Inflammability class according to UL 94 | HB |
| Color | gray |
| Number of positions | 50 |
| Type | B16 |

Adapter plate - HC-B 16-ADP/1 DSUB 50 - 1775538

Classifications

eCl@ss

| | |
|------------|----------|
| eCl@ss 4.0 | 27140816 |
| eCl@ss 4.1 | 27140816 |
| eCl@ss 5.0 | 27143424 |
| eCl@ss 5.1 | 27143424 |
| eCl@ss 6.0 | 27143424 |
| eCl@ss 7.0 | 27440209 |

ETIM

| | |
|----------|----------|
| ETIM 3.0 | EC002309 |
| ETIM 4.0 | EC002309 |
| ETIM 5.0 | EC002309 |

UNSPSC

| | |
|---------------|----------|
| UNSPSC 6.01 | 30211808 |
| UNSPSC 7.0901 | 39121408 |
| UNSPSC 11 | 39121408 |
| UNSPSC 12.01 | 39121408 |
| UNSPSC 13.2 | 39121408 |

Approvals

Approvals

Approvals

EAC

Ex Approvals

Approvals submitted

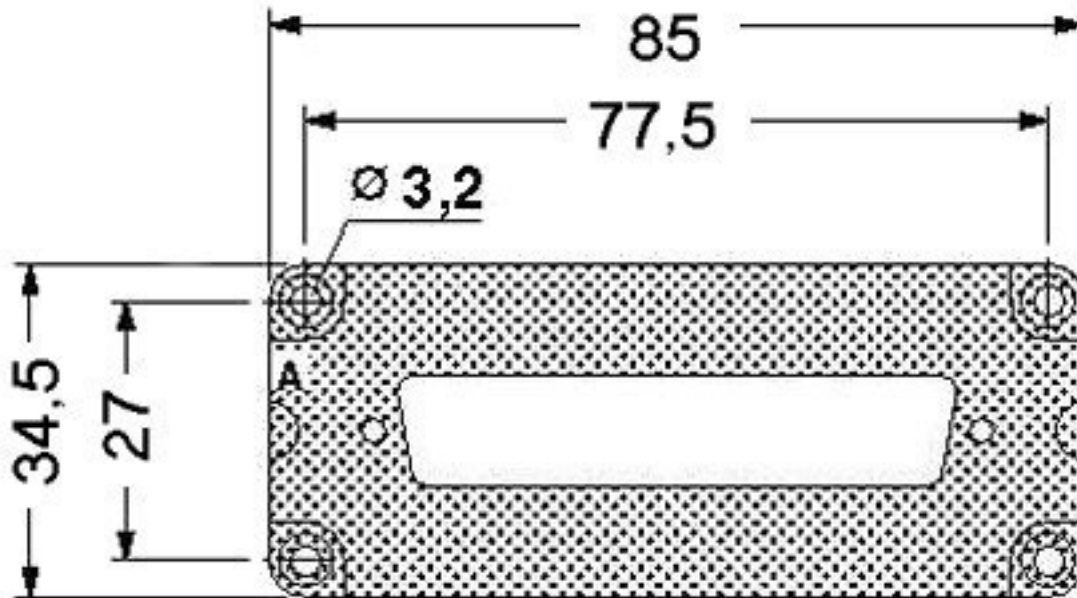
Approval details

| |
|-----|
| EAC |
|-----|

Drawings

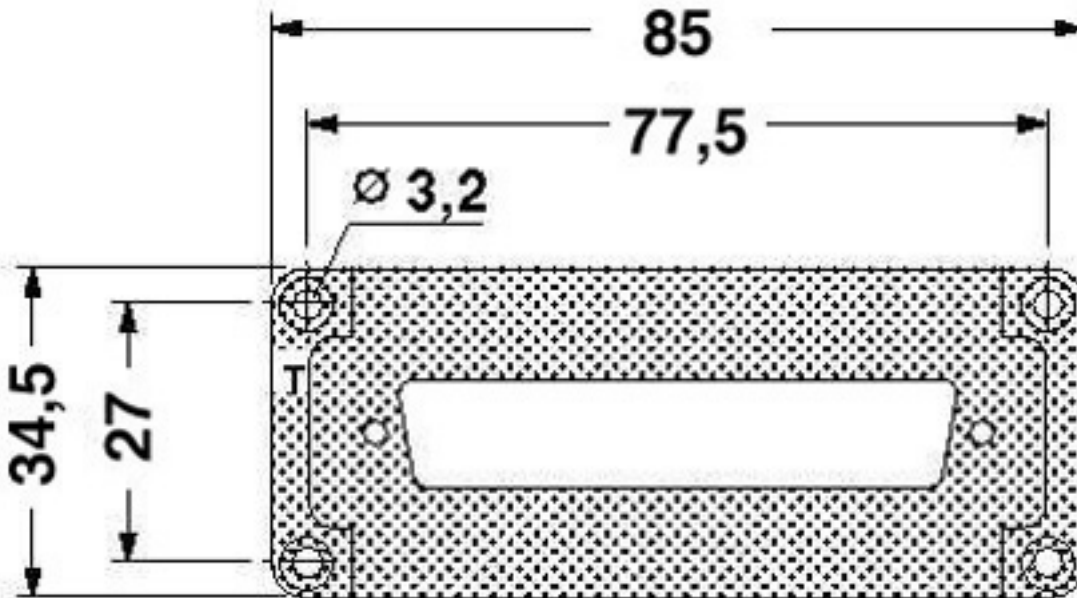
Adapter plate - HC-B 16-ADP/1 DSUB 50 - 1775538

Dimensioned drawing



See assembly instruction

Dimensioned drawing



See assembly instruction