

FEATURES

- Operating life of 50,000 cycles
- Total travel: 1.2±0.3mm
- Operating force: 250±100gf (gram-force)
- Normally open contact

RS PRO Single Pole Single Throw (SPST) Momentary Miniature Push Button Switch, 8 (Dia.)mm, Panel Mount, 120/250V ac

RS Stock No.: 734-6827



RS Professionally Approved Products bring to you professional quality parts across all product categories. Our product range has been tested by engineers and provides a comparable quality to the leading brands without paying a premium price.

Product Description

This miniature push button switch with momentary switch operation and 1-pole on-off switch from our own RS PRO brand offer an excellent mechanism for controlling a machine or a process.

The case and housing is made from high-quality Nylon 6/6 and terminal is made from copper alloy with gold plated material. The total length of a push button switch is 23mm. You can choose from solid black or illuminated water clear actuator. Illuminated colour variants include blue, green, yellow, white and red. If you are after dual colour version, we can offer that too.

General Specifications

Switch Operation	Momentary
Contact Configuration	Single Pole Single Throw (SPST)
Illuminated	No
Actuator Shape	Cylinder
Actuator Colour	Black
Case Colour	Black
Applications	Test Equipment, Telecommunications, Networking, Handheld Appliances

Material Characteristics	
Case	Nylon 6/6
Cap	PC
Terminals	Copper alloy with gold plated.

Electrical Specifications

Voltage Rating	120/250V ac
Terminal Type	Solder
Actuator Type	Cap

Contact Specifications	
Contact DC Voltage Rating	30V
Contact Current Rating	100 mA @ 30 V dc
Insulation Resistance	100 MΩ min. 500V DC
Dielectric Strength	500V AC for 1 Minute
Total Travel	1.2±0.3mm

Mechanical Specifications

Mounting Type	Panel Mount
Panel Cut Out Size	8 (Dia.)mm
Panel Cut Out Diameter	8mm
Mechanical Life	50,000 cycles
Actuating Force	250±100gf
Dimension	23mm x 8mm

Operation Environment Specifications

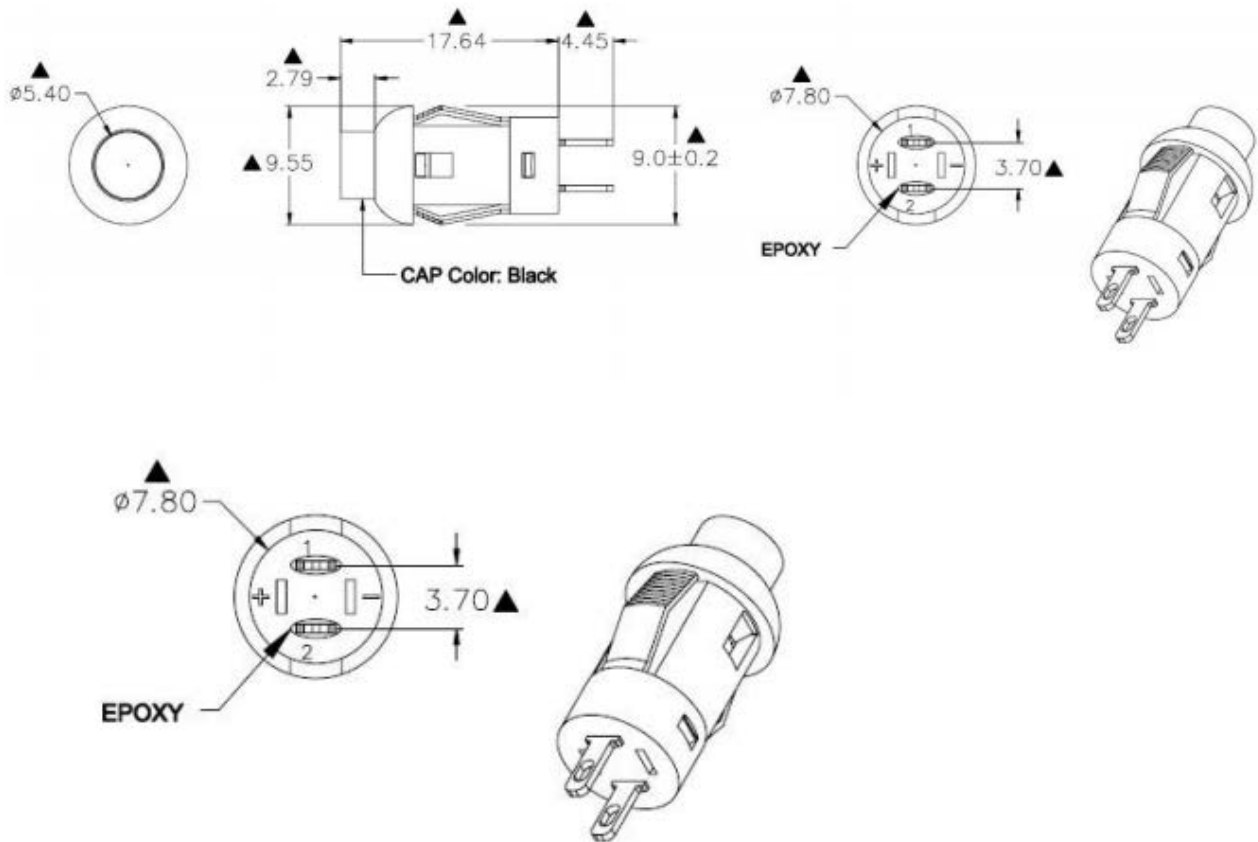
Maximum Operating Temperature	85°C
Minimum Operating Temperature	-40°C

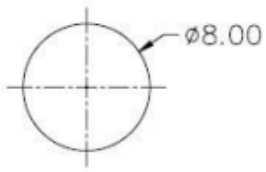
Approvals

Compliance/Certifications	EN61340
----------------------------------	---------



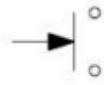
Dimensions – mm





For 0.8~1.2 THK PANEL

PANEL MOUNTING



SWITCH FUNCTION