

Protective Cap with Chain



Features

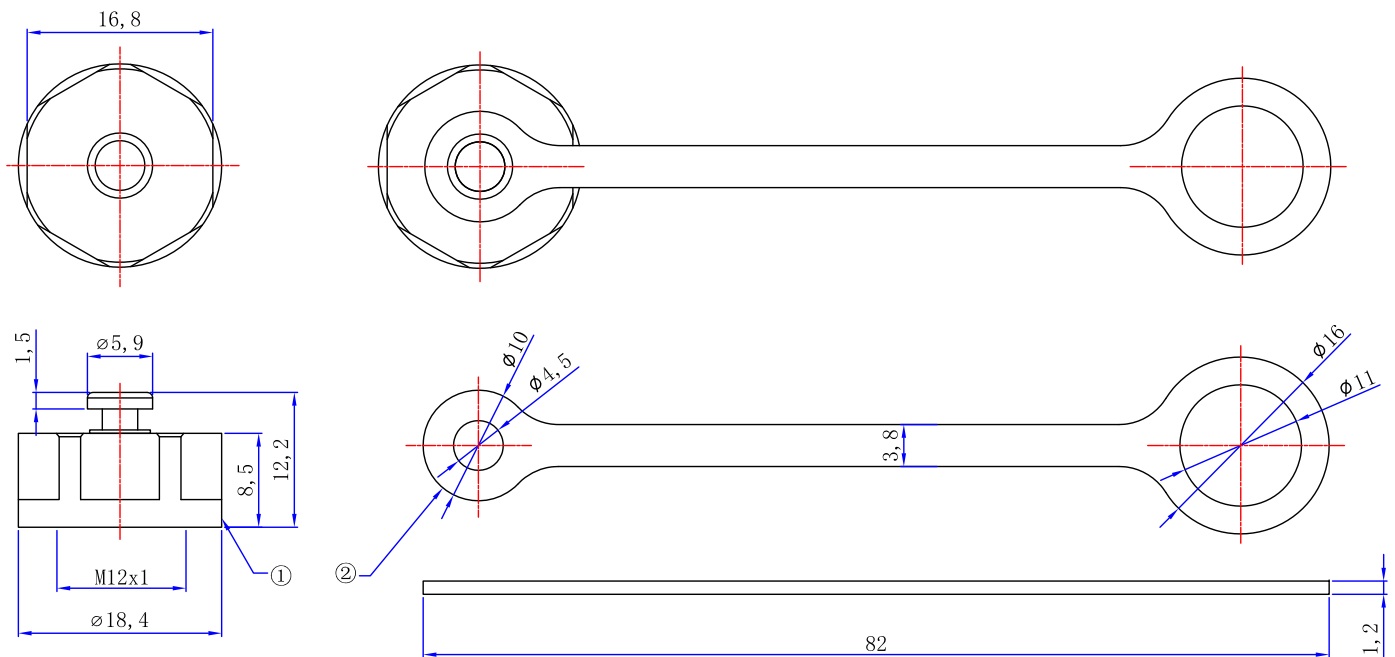
- Protects connector from the dust or water
- For panel receptacle connectors and extension cable connectors
- RoHS compliant



Specification

Colour	Black
Size	M12 x 1
Protection Rating	IP65, IP67

Drawing



Material Specification

1 - Cap	PA66
2 - Rubber Ring	Rubber

Art Nr.
RND 205-01195