

REVISIONS					
P	LTR	DESCRIPTION	DATE	DWN	APVD
	A	ECN-25-358921;GTP	12DEC2025	TP	WILL

NOTES:

ALL DIMENSIONS ARE NOMINAL FOR REFERENCE ONLY UNLESS OTHERWISE STATED.

RoHS: COMPLIANT.

SPECIFICATIONS:
IMPEDANCE: 75Ω

FREQUENCY: DC TO 12GHz

VSWR: <1.30 MAX

RL: 17.69 dB MIN

INSERTION LOSS: 0.25 dB MAX.

CONTACT RESISTANCE:
CENTER: 3.0 MΩ MAX.
OUTER: 2.0 MΩ MAX.

VOLTAGE RATING: 500 VRMS MAX

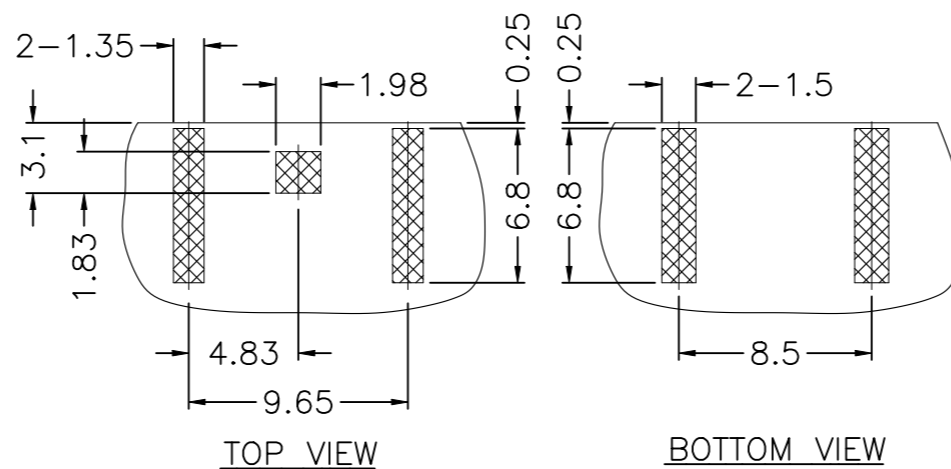
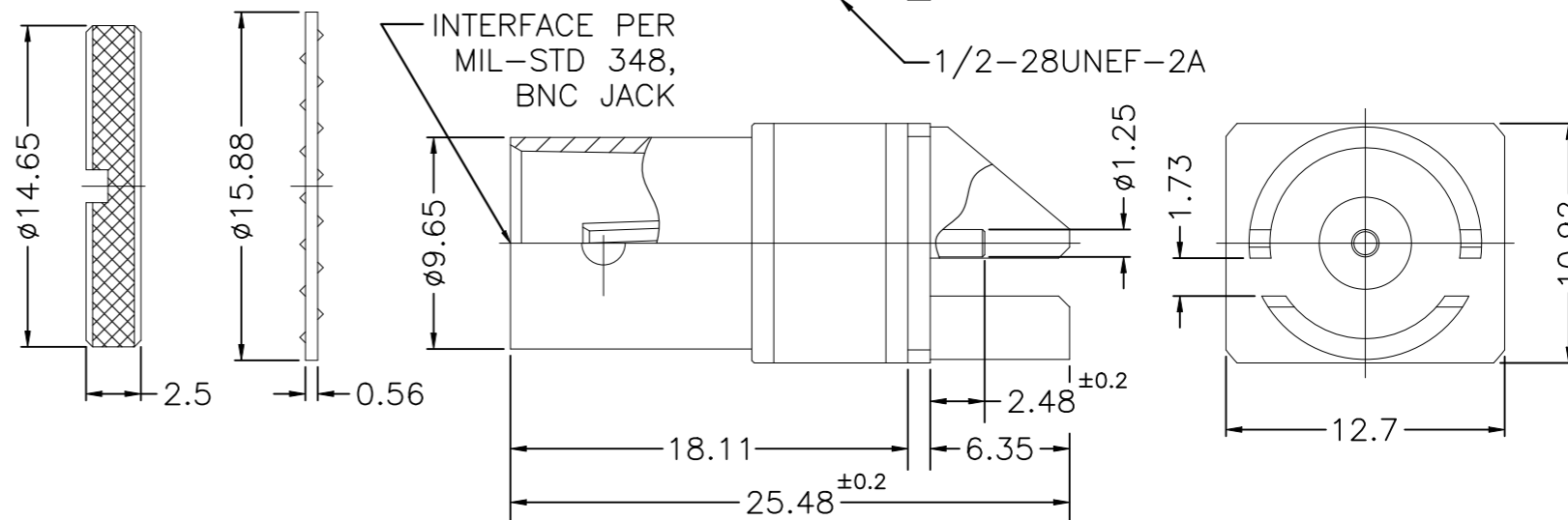
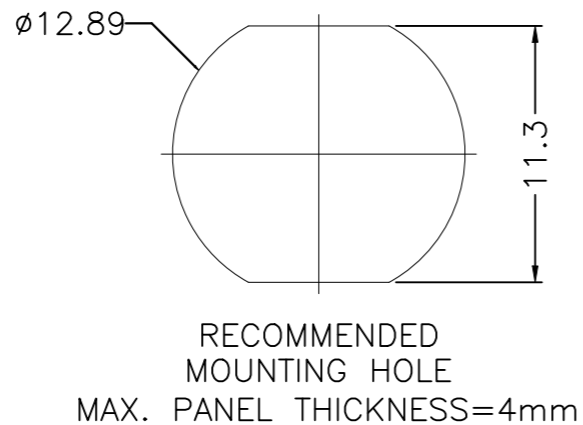
DIELECTRIC WITHSTANDING VOLTAGE: 1500V MAX

INSULATION RESISTANCE: 5000MΩ

MECHANICAL CHARACTERISTICS
DURABILITY: 500 CYCLES.

ENGAGEMENT AND DISENGAGEMENT FORCE:
ENGAGEMENT: 2.5 in-lbs MAX.
DISENGAGEMENT: 3 lbs MAX.

ENVIRONMENTAL PARAMETER
TEMPERATURE RANGE: -65°C TO +165°C



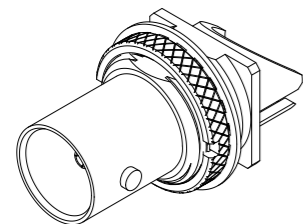
PCB LAYOUT/.062" BOARD THICKNESS

NOTES:

FINISH (PLATING THICKNESS IN MICRO-INCHES)

- 100 MICROINCHES MIN NICKEL PLATED.
50 MICROINCHES MIN OVER COPPER UNDERPLATED
- 3 MICROINCHES MIN GOLD PLATED,
100 MICROINCHES MIN OVER NI-P (WT%10) NICKEL UNDERPLATED.
- 30 MICROINCHES MIN GOLD PLATED,
50 MICROINCHES MIN OVER NICKEL UNDERPLATED.
50 MICROINCHES MIN OVER COPPER UNDERPLATED.

QTY	ITEM	DESCRIPTION	MATERIAL	FINISH/PLATING	NOTE
6	CONTACT PIN	BERYLLIUM COPPER	NOTE 3		
5	NUT KUNRLD	BRASS	NOTE 1		
4	LOCK WASHER	BRASS	NOTE 1		
3	CONTACT PIN	BERYLLIUM COPPER	NOTE 2		
2	INSULATOR	PTFE	NATURAL		
1	BODY	BRASS	NOTE 1		
2510944-2	2510944-1			FINISH/PLATING	



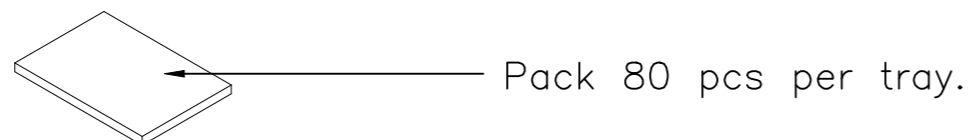
THIS DRAWING IS A CONTROLLED DOCUMENT.		DWN TP 31JUL2025	TE Connectivity Ltd.		
DIMENSIONS: mm		CHK TP 31JUL2025			
TOLERANCES UNLESS OTHERWISE SPECIFIED:		APVD TP 31JUL2025	NAME		
0 PLC ± 0.3		WILL	12G SDI 75 ohm BNC Jack Edge Mnt .062"		
1 PLC ± 0.2		PRODUCT SPEC	-		
2 PLC ± 0.1		APPLICATION SPEC	-		
3 PLC ± 0.05		WEIGHT 10.1 G	SIZE A3	CAGE CODE 00779	DRAWING NO C-2510944
4 PLC ± -		CUSTOMER DRAWING	RESTRICTED TO	-	
ANGLES ± 1		SCALE 1:1	SHEET 1 OF 2	REV A	
FINISH -					

REVISIONS

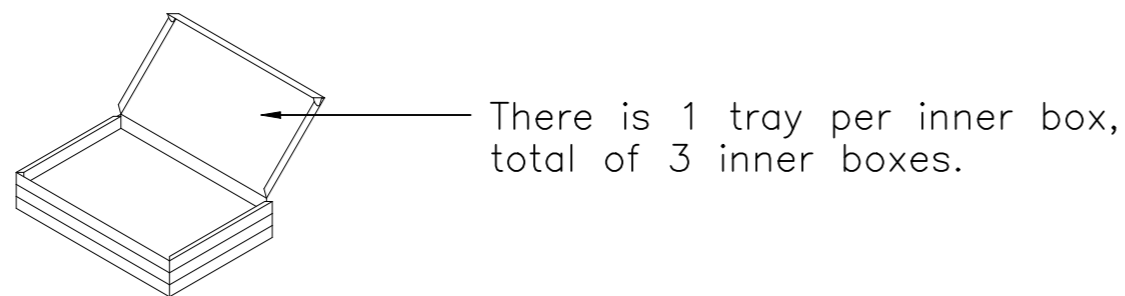
P	LTR	DESCRIPTION	DATE	DWN	APVD
-	-	SEE SHEET 1	-	-	-



Place a cardboard on the top of the boxes.



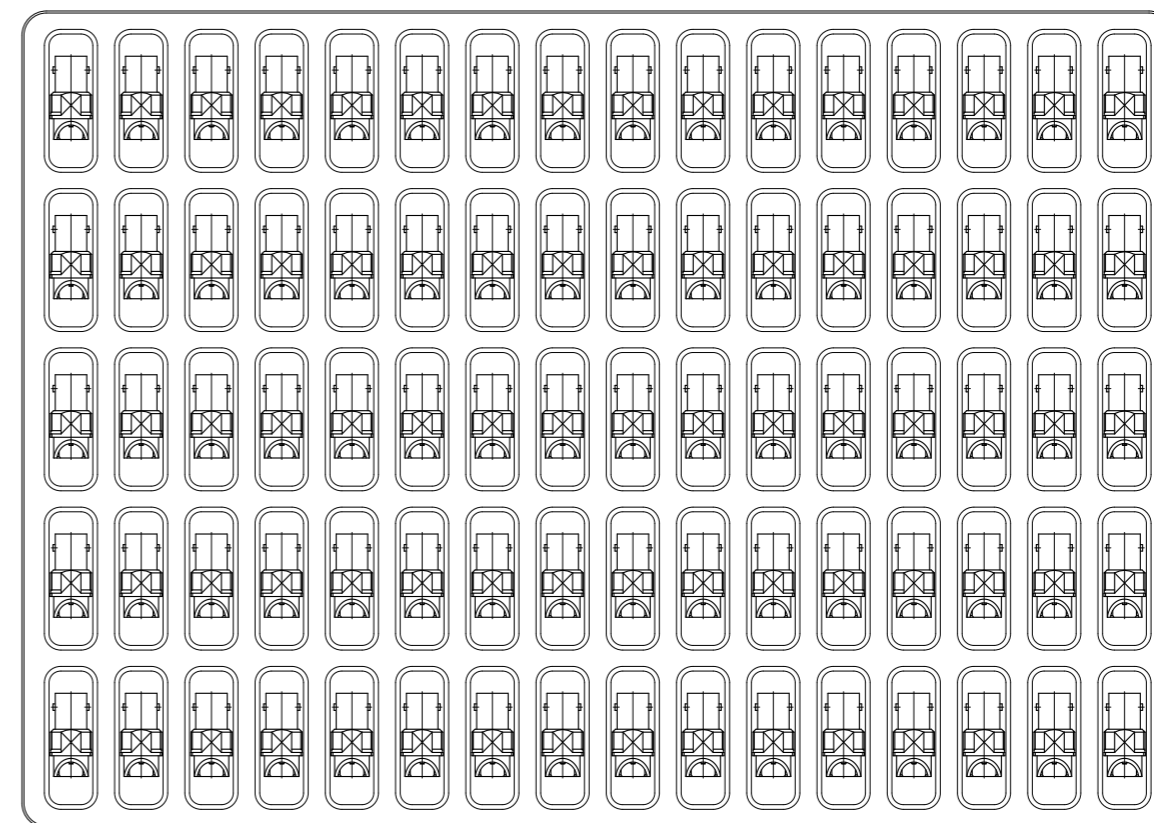
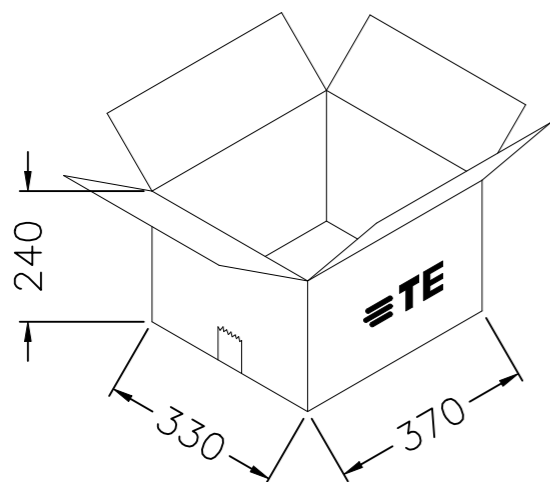
Pack 80 pcs per tray.



There is 1 tray per inner box, total of 3 inner boxes.



Place a cardboard on the bottom of the boxes.



NOTE: 1. 80 pcs / Tray, 1 tray = 1 inner box
 2. 3 inner box = 240 pcs

THIS DRAWING IS A CONTROLLED DOCUMENT.		DWN TP 31JUL2025	STE TE Connectivity Ltd.				
DIMENSIONS: mm		CHK TP 31JUL2025				NAME 12G SDI 75 ohm BNC Jack Edge Mnt .062"	
TOLERANCES UNLESS OTHERWISE SPECIFIED:		APVD WILL 31JUL2025	PRODUCT SPEC -				
0 PLC ± 0.3		APPLICATION SPEC -	SIZE A3	CAGE CODE 00779	DRAWING NO C-2510944	RESTRICTED TO -	
1 PLC ± 0.2		WEIGHT -	SCALE 1:1			SHEET 2 OF 2	REV A
2 PLC ± 0.1		CUSTOMER DRAWING					
3 PLC ± 0.05							
4 PLC ± -							
ANGLES ± 1							
MATERIAL SEE TABLE							
FINISH -							