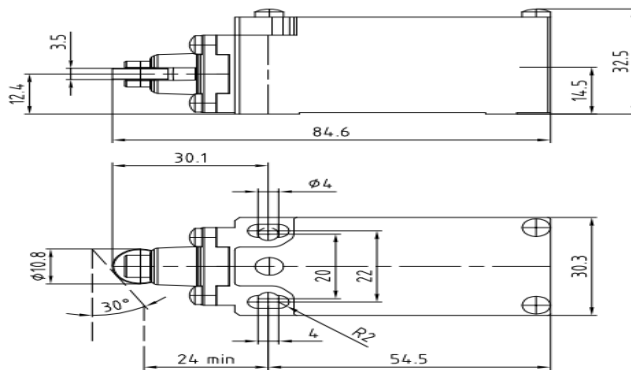
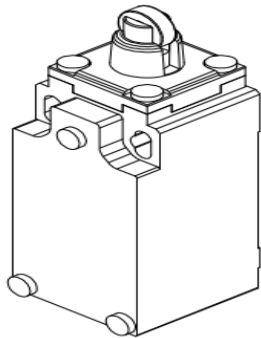


Datasheet

Limit Switch

RS Stock number 902-6893



Description:

- Metal casing IP66, 30mm width
- 1 cable inlet for M20x1.5 cable gland
- Metal roller plunger
- Z11: Snap action contacts (1NO+1NC)

Specification:

Standards		Metal Casing								
Certifications - Approvals		Devices conform with international IEC 947-5-1 and European EN 60 947-5-1 standards								
Air temperature near the device		UL - CSA - IMQ								
- during operation	°C	- 25 ... + 70								
- for storage	°C	- 30 ... + 80								
Protection against electrical shocks (according to IEC 536)		Class I								
Degree of protection (according to IEC 529 and EN 60 529)		IP 66**								
Rated insulation voltage U_i		500 V (degree of pollution 3) (400 V for contacts type X12P, X21P, W03P) A 300, Q 300								
- according to IEC 947-1 and EN 60-947-1										
- according to UL 508 and CSA C22-2 n° 14										
Rated impulse withstand voltage U_{imp}		6								
(according to IEC 947-1 and EN 60 947-1)										
Conventional free air thermal current I_{th}		10								
(according to IEC 947-5-1 and EN 60 947-5-1) $\theta < 40$ °C										
Short-circuit protection		10								
$U_e < 500$ V a.c. - gG (gI) type fuses										
Rated operational current		10								
I_e / AC-15 (according to IEC 947-5-1)	24 V - 50/60 Hz	A	10							
	120 V - 50/60 Hz	A	6							
	230 V - 50/60 Hz	A	3.1							
	240 V - 50/60 Hz	A	3							
	400 V - 50/60 Hz	A	1.8							
I_e / DC-13 (according to IEC 947-5-1)	24 V - d.c.	A	2.8							
	125 V - d.c.	A	0.55							
	250 V - d.c.	A	0.27							
Switching frequency		Cycles/h	3600							
Load factor			0.5							
Resistance between contacts		mΩ	< 25							
Connecting terminals		M3.5 (+, -) pozidriv 2 screw with cable clamp (M3 for 3 poles contacts type)								
Terminal for protective conductor		M3.5 (+, -) pozidriv 2 screw with cable clamp								
Connecting capacity		0.75 ... 2.5 (0.34... 1.5 for 3 poles contacts type)								
Terminal marking		According to EN 50 013								
Mechanical durability		Millions of operations	<table border="0"> <tr> <td>15</td> <td rowspan="3">} AM•F/T</td> <td rowspan="3">[11...12; 21; 30...34; 38</td> </tr> <tr> <td>10</td> <td>41...46; 51...55; 61...75</td> </tr> <tr> <td>>5</td> <td>14; 35; 36; 39; 91...93; 98</td> </tr> </table>	15	} AM•F/T	[11...12; 21; 30...34; 38	10	41...46; 51...55; 61...75	>5	14; 35; 36; 39; 91...93; 98
15	} AM•F/T	[11...12; 21; 30...34; 38								
10			41...46; 51...55; 61...75							
>5			14; 35; 36; 39; 91...93; 98							

** AM•F/T52 - 5200 - 55 - 5500 - 73 - 74: PROTECTION DEGREE IP65. - For the complete list of approved products contact our technical department.

IMQ listed values