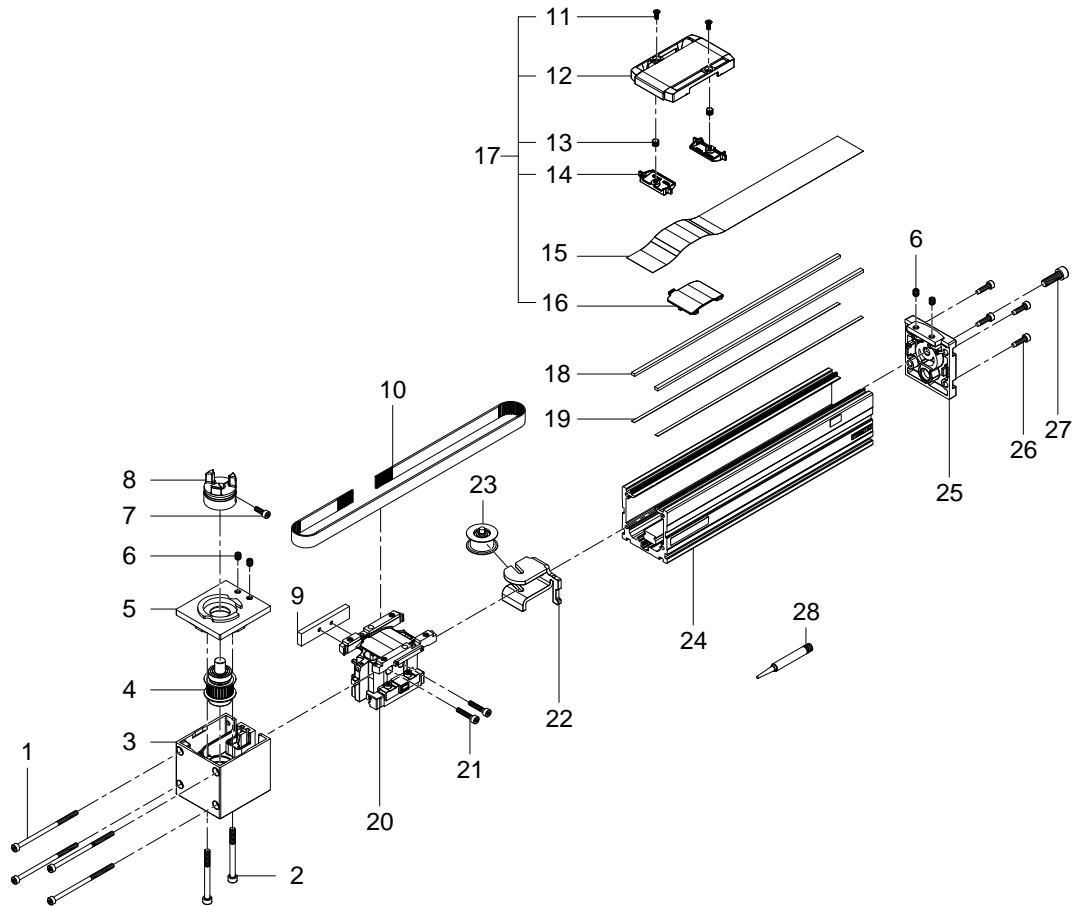


8062768 ELGC-TB-KF-45-200 Toothed belt axis - Series till 07-2022



## 8062768 ELGC-TB-KF-45-200 Toothed belt axis - Series till 07-2022

Pos.	Part no.	Type	Note	Qty.	Unit
1		ISO 14579-M3X60-8.8 Socket head screw	Not available Tightening torque 1 Nm / 0.7 lbf ft Achtung! Element chemisch vernickelt (B0b)/Attention! Component chemically nickel-plated (B0b)	4	PC
2		ISO 14579-M4X40-8.8 Socket head screw	Not available Tightening torque 2.9 Nm / 2.1 lbf ft Achtung! Element chemisch vernickelt (B0b)/Attention! Component chemically nickel-plated (B0b)	2	PC
3		ELGC-TB-KF-45:CO Drive cover	Not available Use locking compound. See position 28	1	PC
4		ELGC-TB-KF-45 Toothed belt pulley module	Not available	1	PC
5		ELGC-TB-KF-45 Plate module	Not available	1	PC
6	8146611	ISO 4026-M4X5-45H Threaded pin	Tightening torque 0.2 Nm / 0.1 lbf ft Achtung! Element chemisch vernickelt (B0b)/Attention! Component chemically nickel-plated (B0b) Attention! 2 pieces included	2	PC
7			Not available Tightening torque 1 Nm / 0.7 lbf ft	1	PC
8		EAMC-15-GB8-D8X9-A Hub	Not available	1	PC
9		ELGC-TB-KF-45 Plate	Not available Use locking compound. See position 28 Achtung! Element chemisch vernickelt (B0b)/Attention! Component chemically nickel-plated (B0b)	1	PC
10	8096934	DGE-18-ZR -5M Toothed belt	Attention! Length 5 meter <a href="#">Repair note: Quick_guide_toothed_belt</a> <a href="#">Replacing the toothed belt</a>	1	PC
11		ISO 7046-M2,5X6-4.8-Z Countersunk screw	Not available separately, see position 17 Tightening torque 0.2 Nm / 0.1 lbf ft Achtung! Element chemisch vernickelt (B0b)/Attention! Component chemically nickel-plated (B0b)	2	PC
12		ELGC-45 Covering	Not available separately, see position 17 Use locking compound. See position 28	1	PC
13		HAB Compression spring	Not available separately, see position 17	2	PC
14		ELGC-45 Belt reversal	Not available separately, see position 17	2	PC
15	8179383	ELGC/ELFC-KF-45 Cover strip	Attention! Length 2.5 meter <a href="#">Repair video</a>	1	PC
16		ELGC-45 Belt reversal	Not available separately, see position 17	1	PC
17		ELGC-45 Belt reversal	Not available Position available until max. 12/31/2024!	1	PC
18	8040752	2X3X10000 Magnetic tape	Attention! Length 10 meter	1	PC
19	4171246	ELGA-TB-KF Adhesive tape		25	M
20		ELGC-TB-KF-45 Slide unit	Not available Lubricate with ELKALUB VP 922 during assembly	1	PC
21		ISO 14579-M3X16-8.8 Socket head screw	Not available Tightening torque 0.5 Nm / 0.4 lbf ft Achtung! Element chemisch vernickelt (B0b)/Attention! Component chemically nickel-plated (B0b)	2	PC
22		ELGC-TB-KF-45 Mounting bracket	Not available	1	PC

Pos.	Part no.	Type	Note	Qty.	Unit
23		ELGC-TB-KF-45 Take-up pulley module	Not available	1	PC
24		ELGC-TB-KF-45 Cylinder barrel module	Not available	1	PC
25		ELGC-TB-KF-45:CO Cover	Not available	1	PC
26		DIN 7500-OE M3X12-ST self-tapping screw	Not available Tightening torque 2 Nm / 1.5 lbf ft Achtung! Element chemisch vernickelt (B0b)/Attention! Component chemically nickel-plated (B0b)	4	PC
27		ISO 14579-M5X16-10.9 Socket head screw	Not available Achtung! Element chemisch vernickelt (B0b)/Attention! Component chemically nickel-plated (B0b)	1	PC
28	8181256	CYBERBOND TM44 TB1ML Adhesive bonding agent		1	PC