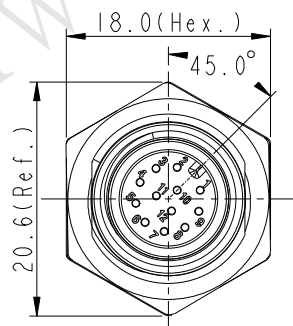
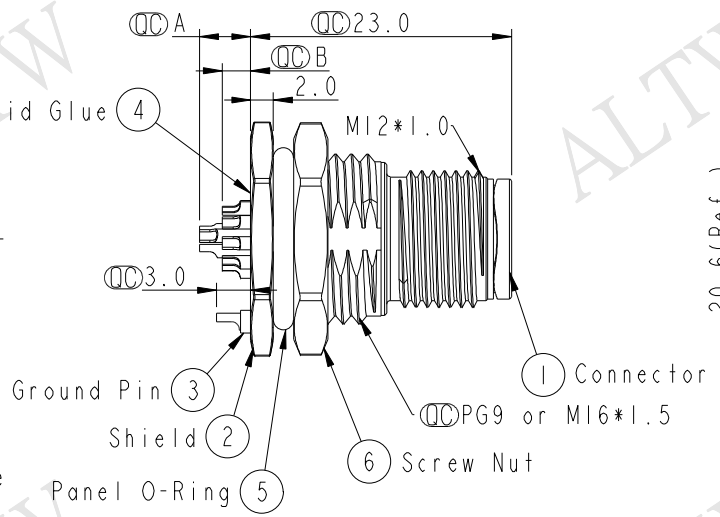
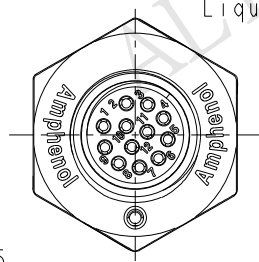
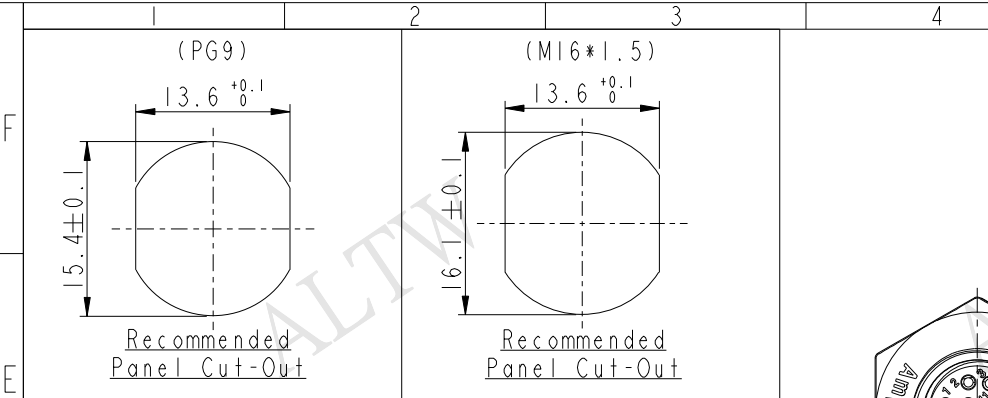


THIS DOCUMENT IS SUBJECT TO CHANGE WITHOUT NOTICE. IT IS CONFIDENTIAL AND A PROPERTY OF Amphenol LTW. DISCLOSURE TO THIRD PARTY HAS TO BE AUTHORIZED BY Amphenol LTW.

REV.	ECN NO.	DATE	SIGN	DESCRIPTION
A	Initial Release	2017-05-22	Feng_Li	Change Rev.01 To Rev.A



M SAS - XX P M M S - S F 8 XXX

SAS: A-Code Shielded

03: 3Pin
04: 4Pin
05: 5Pin
06: 6Pin
08: 8Pin
10: 10Pin
12: 12Pin

P: Panel (板端)

M: Male Connector (公座)

001: PG9
002: M16*1.5

8: IP68/69K (防水等級68/69K)

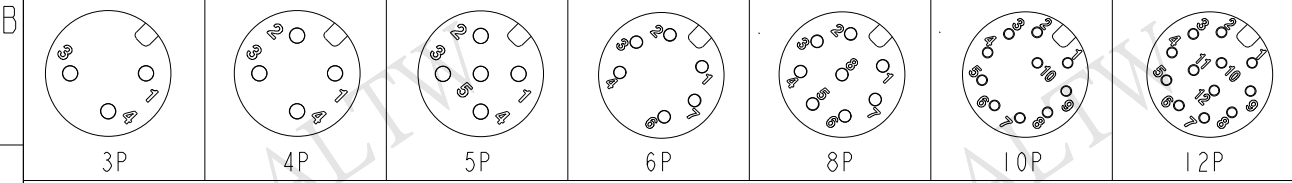
F: Front Fasten (前鎖式/Enclosure Rear Mount)

S: Screw (螺紋式)

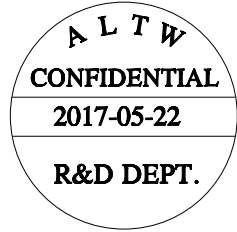
S: Solder Type (焊接式)

M: Male Pin (公Pin)

M12A-03PMMS-SF8XXX	2.5
M12A-04PMMS-SF8XXX	2.5
M12A-05PMMS-SF8XXX	2.5
M12A-06PMMS-SF8XXX	2.5
M12A-08PMMS-SF8XXX	2.5
M12A-10PMMS-SF8XXX	4.5 2.5
M12A-12PMMS-SF8XXX	4.5 2.5
Item No.	A B
	Pin伸出長度



Pin Assignment Front View



Note:

- * ⌀ Important Dimension.
- * Waterproof Rate: IP68, IP69K.
- * Housing: Nylon+GF, Black.
- * Male Pin: Copper Alloy, Gold Plated.
- * Shield: Zinc Alloy, Nickel Plated.
- * Screw Nut: Zinc Alloy, Nickel Plated.
- * Panel O-Ring: Viton, Black.
- * Rated Voltage: 3 & 4Pin 250V dc. or ac.
5Pin 60V dc. or ac.
6~12Pin 30V dc. or ac.
- * Rated Current: 3~5Pin 4A
6~8Pin 2A
10~12Pin 1.5A
- * Operating Temperature: -40~105°C
- * For Panel Thickness Max 4.5mm.
- * Recommended Nut Torque: 4-6 Kgf.cm.



UNIT: mm		TITLE	M12 A-Code Male Conn. Solder Shielded		
TOLERANCE	.X ±0.25 .XX ±0.1 .XXX ±0.05 ANGLES ±1°	SCALE	3:2	SIZE	A4
		REV.	A	WC-REV.	A.6
				QC	Inspection item

Amphenol LTW
安費諾亮泰企業股份有限公司

ITEM NO.	DRAWN BY	DATE
	Feng_Li	2017-05-22
DWG NO.	CHECKED BY	DATE
MSAS-XXPMMS-SF8XXX	Jinhai	2017-05-22
CUSTOMER	APPROVED BY	DATE
ALTW	Jerry	2017-05-22