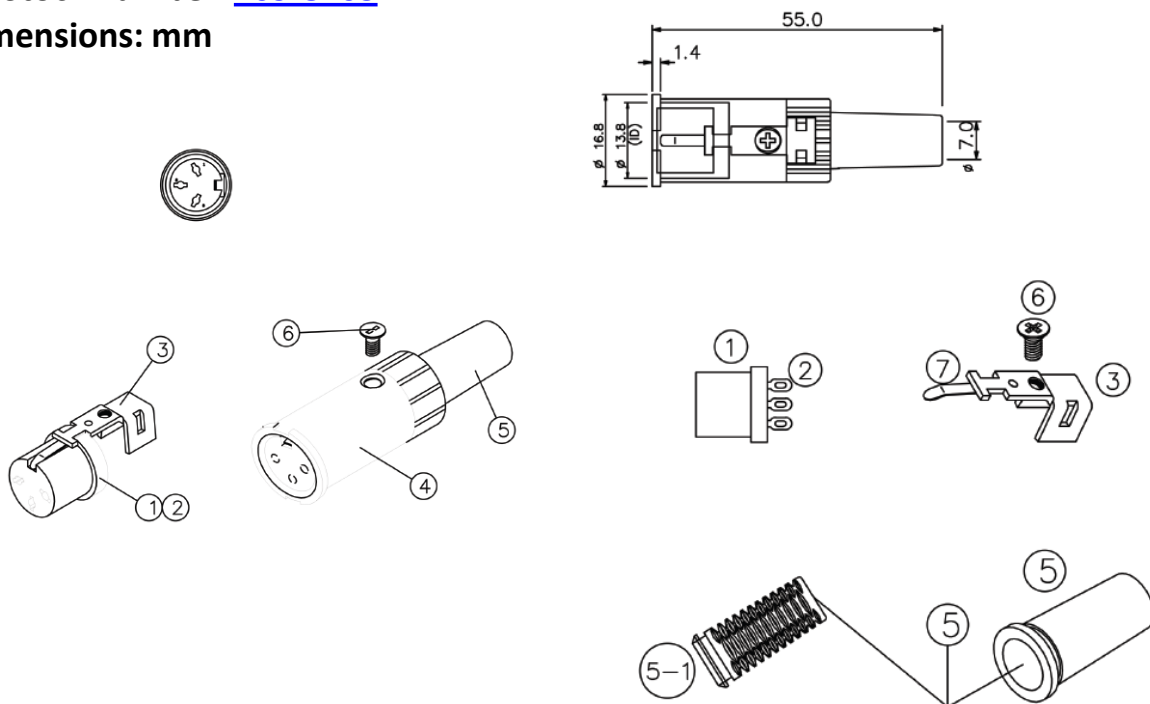


Datasheet

3 Pole Female Straight DIN Connector, B-3098 Series , 100 V ac, 2A Twist Lock

RS Stock number [409-8405](#)

Dimensions: mm



7	GROUNDING PIECE	1	BSR-H (0.2t) [C5191R-H]	NICKEL	3-5U"
6	SCREW	1	2AAR1050 [A4510]	NICKEL	3-5U"
5	PLASTIC TRAIL	1	PVC	BLACK	UL
4	MAIN BODY	1	DIECAST	NICKEL	3-5U"
3	CLIP PLATE	1	SPCC SB (0.95t)	NICKEL	3-5U"
2	CONTACT TERMINAL	3	BSR-H (0.7t) [C2680R]	SILVER PLATED	3-5U"
1	PLASTIC CORE	1	ABS [777D]	BLACK	HB



Specifications

Body Orientation: Straight

Connector Size: Standard

Contact Material: BSR

Contact Plating: Silver

Current Rating: 2A

Gender: Female

Housing Material: Die Cast Nickel

Mating Type: Twist Lock

Mounting Type: Cable Mount

Number of Contacts: 3

Series: B-3098

Termination Method: Screw Down

Voltage Rating: 100 V ac