

## HORNETPRO: Adding a new FOBBER transmitter



### Compatible Transmitters

The ZPT module can be used with the transmitters below, The transmitter handset will affect the maximum achievable range of operation.

#### FOBBER Keyfob

Compact rugged handset Waterproof to IP68 1,2,3,4,6,8 button Options



#### TRAP Handset

A medium sized rugged handset available as 1,2,3,4,6,8,16 buttons Operating up to 2000m



#### SABRE Handset

A rugged IP68 industrial handset  
1, 2, 3, 4, 8 buttons  
Operating up to 2000m.



#### Important European compliance information

This RF Solutions radio module meets the essential requirements of the European Radio Equipment Directive 2014/53/EU and has been tested to European Harmonised Standards and CE marked where space allows. A copy of the EU Declaration of Conformity can be located on the RF Solutions Website,

[www.rfsolutions.co.uk/certification-i59](http://www.rfsolutions.co.uk/certification-i59).

When using the module in an end product, continued compliance can only be assured by incorporating the module in accordance with RF Solutions specific installation instructions and in accordance with the published information on the RF Solutions product data sheet.

Article 3.1a and 3.1b of the EU Radio Equipment Directive 2014/53/EU should be assessed in the final product.

Failure to follow this guidance may result in a non-compliant product being placed on the European Market, for which RF Solutions cannot accept any responsibility.

Further guidance may be obtained from RF Solutions Technical Support.

#### RF Solutions Ltd. Recycling Notice

Meets the following EC Directives:

#### DO NOT

Discard with normal waste, please recycle.

#### ROHS Directive 2002/95/EC

Specifies certain limits for hazardous substances.

#### WEEE Directive 2002/96/EC

Waste electrical & electronic equipment. This product



Whilst the information in this document is believed to be correct at the time of issue, RF Solutions Ltd does not accept any liability whatsoever for its accuracy, adequacy or completeness. No express or implied warranty or representation is given relating to the information contained in this document. RF Solutions Ltd reserves the right to make changes and improvements to the product(s) described herein without notice. Buyers and other users should determine for themselves the suitability of any such information or products for their own particular requirements or specification(s). RF Solutions Ltd shall not be liable for any loss or damage caused as a result of user's own determination of how to deploy or use RF Solutions Ltd's products. Use of RF Solutions Ltd products or components in life support and/or safety applications is not authorised except with express written approval. No licences are created, implicitly or otherwise, under any of RF Solutions Ltd's intellectual property rights. Liability for loss or damage resulting or caused by reliance on the information contained herein or from the use of the product (including liability resulting from negligence or where RF Solutions Ltd was aware of the possibility of such loss or damage arising) is excluded. This will not operate to limit or restrict RF Solutions Ltd's liability for death or personal injury resulting from its negligence.

[www.rfsolutions.co.uk](http://www.rfsolutions.co.uk)

#### RF Solutions Ltd

William Alexander House, William Way, Burgess Hill, West Sussex, RH15 9AG  
Sales: +44(0)1444 227 910 Tech Support: +44(0)1444 227909



## FOB-OEM

## Add-on Remote Control

### Features

- 4 Channels / Functions
- Serial Data output
- Minimal external components
- Secure data protocol
- Receiver 1.8—3.6V
- Upto 30 additional Keyfobs
- Easy pairing
- SMT or DIP package
- CE compliant
- Incorporates self test mode
- Range up to 150m



Keyfob

150m



Receiver

4 x Outputs

### Applications

- OEM Remote control
- General Purpose switching

### Description

The FOBOEM provides an easy "Bolt on" Remote Control feature to any product. When the user presses the Keyfob Button, the Receiver provides a direct digital Switched output and a serial data output.

The receiver module requires only a power connection and has many features including simple Learn feature upto 30 keyfobs, direct Momentary or Latching switched outputs. A serial output with the Keyfob ID, button data and battery status.

Part Number	Description
FOBOEM-4S4	4 button keyfob & DIP ZPT module, 433MHz, 100m range
FOBOEM-8S4	4 button keyfob & DIP ZPT module, 868MHz, 150m range

Sales: +44 (0) 1444 227910

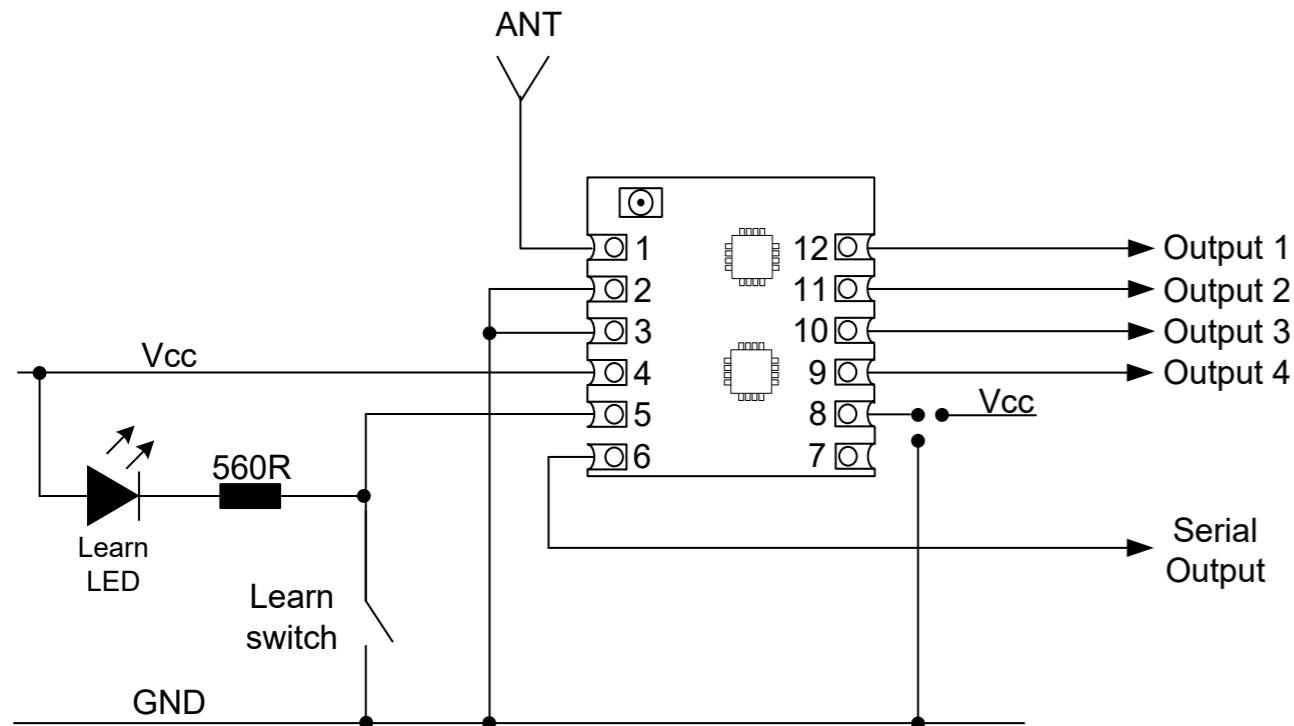
Tech. Support: +44 (0) 1444 227900



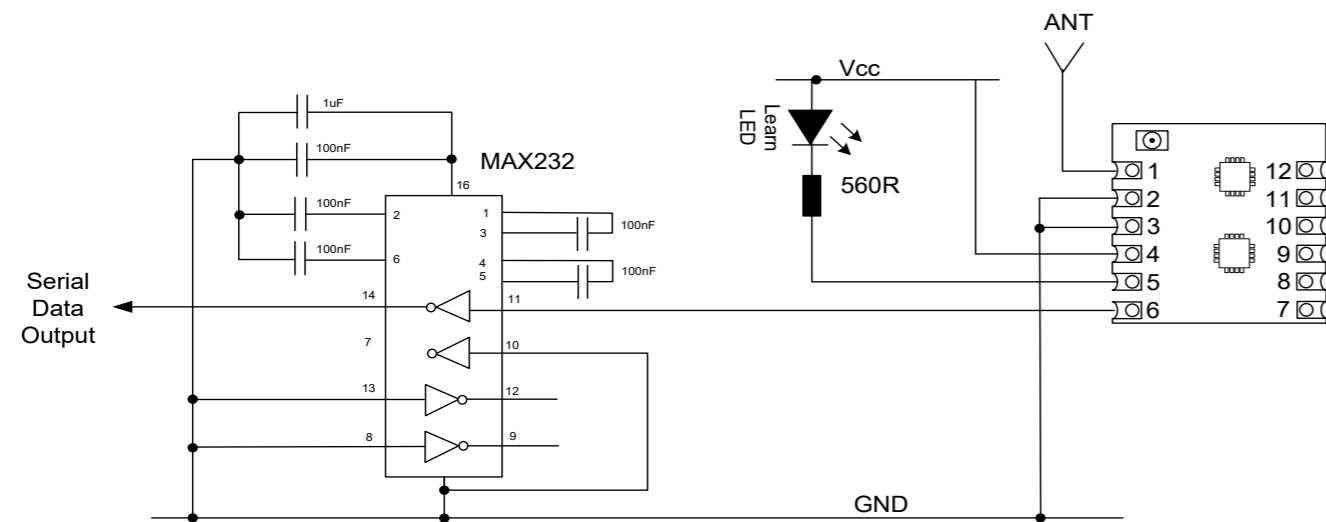
FM76316

[www.rfsolutions.co.uk](http://www.rfsolutions.co.uk)

### Receiver Transmitter example application circuit



### ZPT connected with Serial data output via MAX232



### Pairing a FOBBER transmitter 'Learn' Function

An alternative method of pairing a FOBBER transmitter is by removing the PCB from the receiver enclosure.

1. Momentarily activate 'Learn' input. (Ground Pin 5) The receiver will flash LED once (the number of flashes indicate which output is currently selected) It is possible to select outputs 2-4, by repeating step.
2. With the desired output selected (and before a 10sec timeout) Press the button on the transmitter which you wish to pair.
3. The Receiver will flash LED twice to confirm Pairing



4. Repeat for any additional transmitter buttons you wish to pair.

### Erase a receiver

1. To erase the ZPT memory and remove all stored transmitter pairings you must activate the Learn input (Ground Pin 5) for 10 seconds. The Learn LED will illuminate while the pin is grounded and after it is disconnected will flash 3 times to Confirm memory erase has been completed.  
NOTE: Erasing receivers memory will remove all transmitter pairings. it is not possible to erase single pairings.

See our [FOBBER](#) and [ZPT](#) datasheets for full details on product functionality