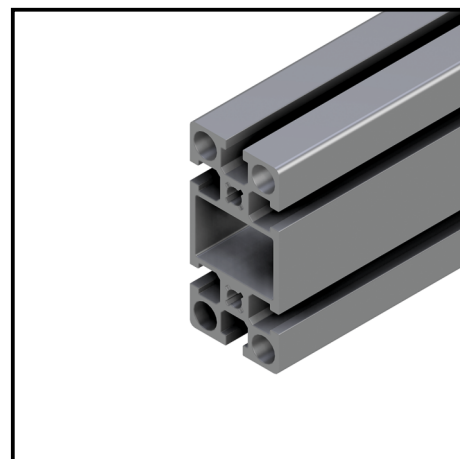
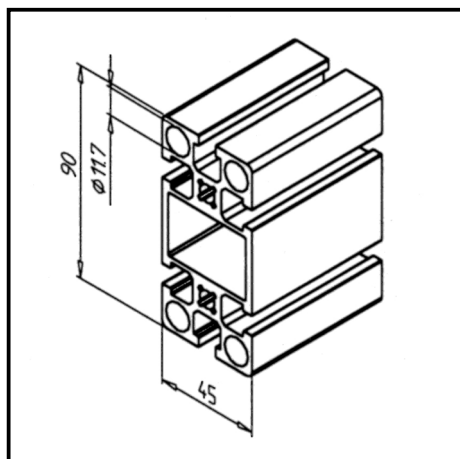


PROFILE 45 X 90

Article Nr. 20.1009/0

[See the product on the website](#) →

[Download CAD Files](#) →



TECHN. DATA / ITEMS SUPPLIED

- Aluminium, extruded, anodized E6/EV1
- $I_x = 113.205 \text{ cm}^4$
- $I_y = 28.584 \text{ cm}^4$
- $w_x = 25.156 \text{ cm}^3$
- $w_y = 12.704 \text{ cm}^3$
- $IT = 65.358 \text{ cm}^4$
- Weight = 3.667 kg/m
- Packing unit = 24 m

APPLICATIONS

- General heavy duty construction
- 4 cavities for compressed air piping
- Cavity is not suitable for counterweights

ASSEMBLY

- MiniTec power-lock fastener
- Angle 25 / 45 / 90
- Bolt connector
- The $\varnothing 11.7 \text{ mm}$ holes can be bored with G 1/4 for holding screw plugs or pneumatic connections
- Lateral connections G 1/8" direct into the profile