

Standard DIN 23142 Two Module, Dual Channel, Weekly Time Switch



Benefits

The 23141 Time Switch is a two module wide general purpose timer that it is perfect for applications where space economy may be a factor. Requires minimum time to set up. They can be used also for lighting of hallways to buildings, garages, toilet ventilation etc.

Features

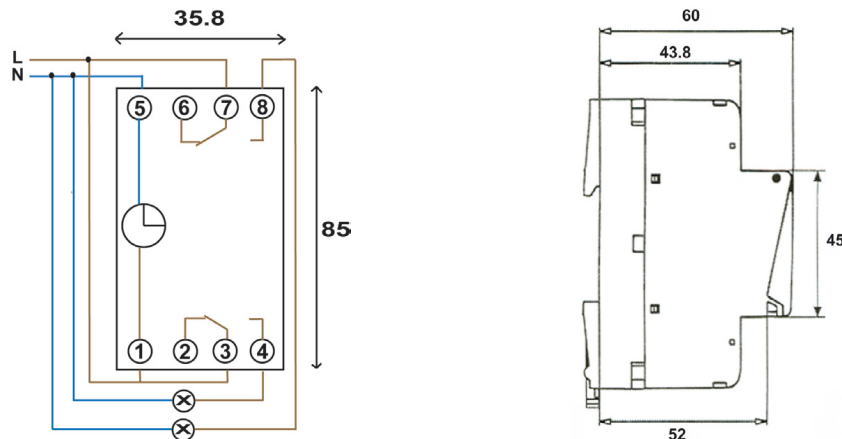
- Modular case 2 modules, 5 keys.
- Connection by protected cage terminals
- 2 Voltage free changeover contacts
- Pivoting transparent hood. Product locking function
- Weekly programming, 56 program steps total per product
- Product supplied with current time and date
- Programmable off circuit
- Automatic summer/winter time change
- Programming by day and group of days
- Power reserve: 5 years
- Permanent override, temporary override
- Bar graph display of daily profile
- Keyboard locking by key pressing or by key
- ON/OFF function

Technical Data

Supply voltage	230 V AC +/-15%
Frequency	50/60 Hz
Consumption at 50 Hz	6VA
Outputs	Changeover contacts without potential
Insulation between input and output	4kV
Max cutoff power	
AC1	μ 16 A 250 V AC
fp = 0.6	μ 10 A 250 V AC
Halogen lamps 230 V	2300W
Incandescent lamps	2300W
Compensated fluo tubes // (max 45 μ F)	400W
Non-compensated fluo tubes, compensated in series	1000W
Compact fluo lamps	500W
Min cutoff power	
AC1 100mA 250 V AC	
Programming capacity	56 steps
Min time between 2 program steps	1 minutes
Accuracy of operation	1 second per 24 hour
Power reserve	Lithium battery with 5 years reserve
Standby condition	Display OFF after 1 min. without voltage. Return to auto mode when voltage returns, or press button
Protections index	IP20 - IK 3
Operating temperature	-5 °C to 45°C
Storage temperature	-20°C to 70°C
Connection by cage terminals	
Capacity flexible	1 to 6 mm ²

Electrical Connections

Internal Wiring Diagram



Technical Helpline: 01475 745131

CUSTOMER CARE POLICY

As part of Sangamo's continuous improvement program, the Company operates a Customer Care Policy. This means that we welcome your comments and complaints, as it can only help us to improve our services to you, our customer.

SANGAMO



Certificate Q05237



Certificate EMS 80426

Sangamo Limited, Industrial Estate, Port Glasgow,
Renfrewshire PA14 5XG

Tel: 01475 745131 Fax: 01475 744567

Email : enquiries@sangamo.co.uk Web: www.sangamo.co.uk

DH004C