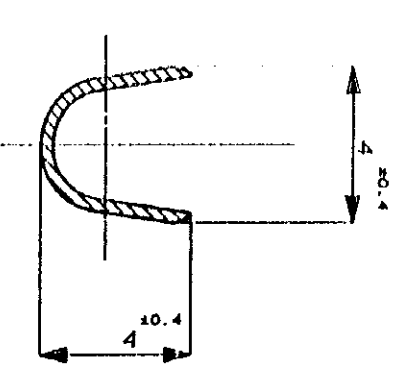
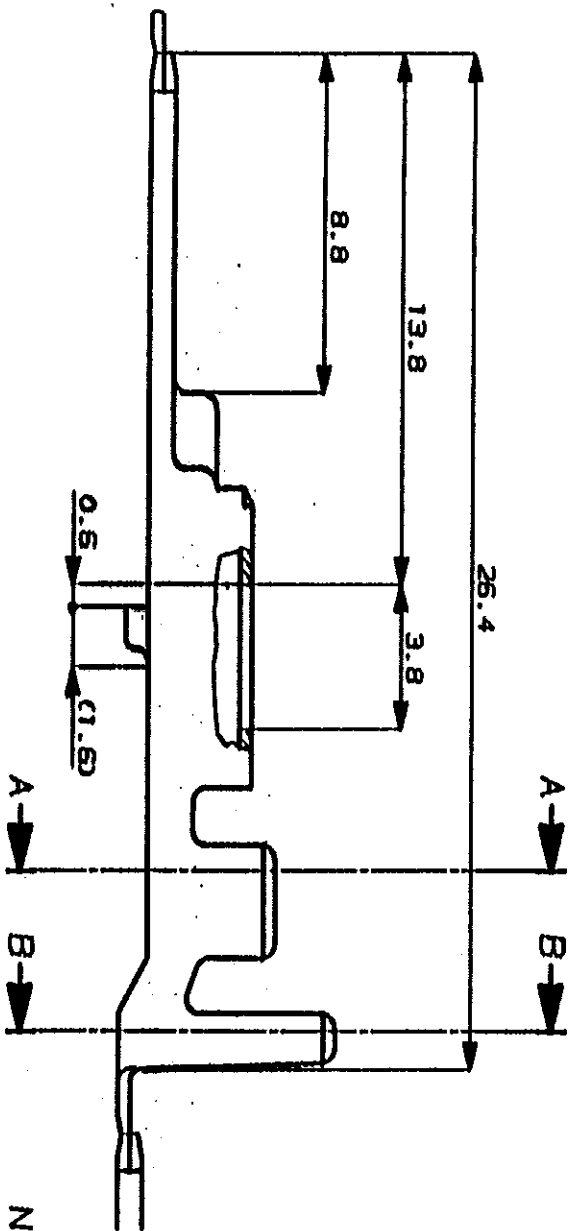


A-A  
(SECT. A-A)



B-B  
(SECT. B-B)



NOTES;

- 注:
1. 嵌合相手リセナクシ型番 172775, 172776
  2. 製品規格 No.108-5166
  3. 取付運用規格 114-5072
  4. 相手ハウジング型番 172518 他
- △ 逆巻キリール

172780-1	銅ツキ済 (PRE-TIND)	銅 (BRASS)	△1-172779-1	4
172780-4	銅ツキ済 (PRE-TIND)	銅 (PHOS BRZ)	172779-4	3
172780-2	金ツキ済 (SELECTIVE GOLD)	銅 (BRASS)	172779-2	2
172780-1	銅ツキ済 (PRE-TIND)	銅 (BRASS)	172779-1	1

ワライ材  
(P.M.)  
仕  
(FINISH)

⑩ BY AMP (Japan) LTD.  
ALL RIGHTS RESERVED.  
AMP PRODUCTS COVERED BY PATENTS  
AND OR PATENTS PENDING

**AMP** AMP (JAPAN) LTD.  
Tokyo, Japan

WIRE RANGE	0.3-0.8mm (AWG-22-18)	INSULATION DIA	1.5-2.5
MATERIAL	参照 SEE TABLE	FINISH	参照 SEE TABLE
DR. 172779	172779	DE. 172779	172779
CHK. 172779	172779	APP. 172779	172779

NAME ヴルチイソクタブ (MIC) ーク II  
TAB MIC MK II

GENERAL TOLERANCE  
0.05 ± 0.2  
10 ± 0.3  
30 ± 0.5  
ANGLES ± 0.5

SIZE LOC NUMBER  
C J C-172779

SCALE REV. SHEET  
5-1 C 1 OF 1

LTR	REVISION RECORD	DR	CHK	DATE
C	REDRAWN W/CHANGE	172779	172779	172779
	1-10629			

CUSTOMER DRAWING

DEPT.AUTOS-222501>U.MICSU.CONTACTS-5.TAB2-C