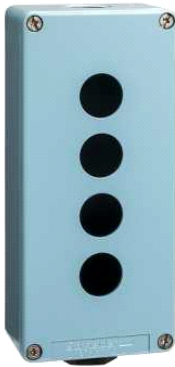


## XAPM3204H29

die-cast empty control station - XAPM - Ø 22 - zinc alloy - 4 openings



### Main

Range of product	Harmony XAP
Product or component type	Die-cast empty control station
Device short name	XAPM
Product destination	For Ø 22 mm control and signalling units
Product front plate size	80 x 175 mm
Usable depth	49 mm
Number of cut-out	4 cut-outs
Colour of base of enclosure	Blue
Colour of cover	Blue
Material	Zinc alloy
Cable entry	1 hole with blanking plug for ISO 429248 cable gland 25 mm 1 hole with blanking plug for ISO 429248 cable gland 25 mm 1 hole without blanking plug for ISO 429248 cable gland 25 mm
Device mounting	Flush
IP degree of protection	IP65 conforming to IEC 60529 IP69K IP69 conforming to NF C 20-010

### Complementary

Number of vertical rows	1
Product weight	0.88 kg

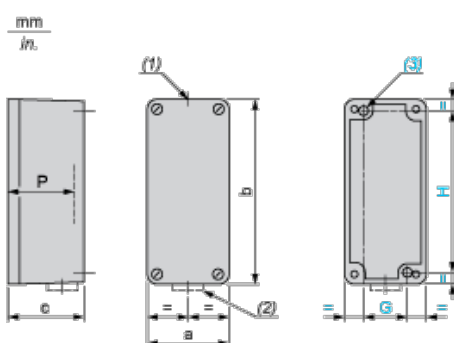
### Environment

protective treatment	TC
ambient air temperature for storage	-40...70 °C
ambient air temperature for operation	-40...70 °C
overvoltage category	Class I conforming to NF C 20-030 Class I conforming to IEC 60536

### Contractual warranty

Warranty period	18 months
-----------------	-----------

### Dimensions and Fixing



(1) 1 hole, without blanking plug, for cable gland with 18 mm/0.71 in. maximum clamping capacity

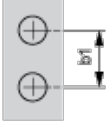
- (2) 1 hole, with blanking plug (protrusion 6 mm/0.23 in.), for cable gland with 18 mm/0.71 in. maximum clamping capacity
- (3) 2 x Ø 5.6 mm/0.22 in. holes, depth 20 mm/0.78 in.

**P** Usable depth

<b>a</b>		<b>b</b>		<b>c</b>		<b>G</b>		<b>H</b>		<b>P</b>	
mm	in.	mm	in.	mm	in.	mm	in.	mm	in.	mm	in.
80	3.15	175	6.89	51.5	2.03	50	1.97	160	6.30	49	1.93

Refer to the product characteristics to get the number of cut-outs.

**Cut-out interaxis dimensions**



**b1** Vertical interaxis: 30 mm/1.18 in.