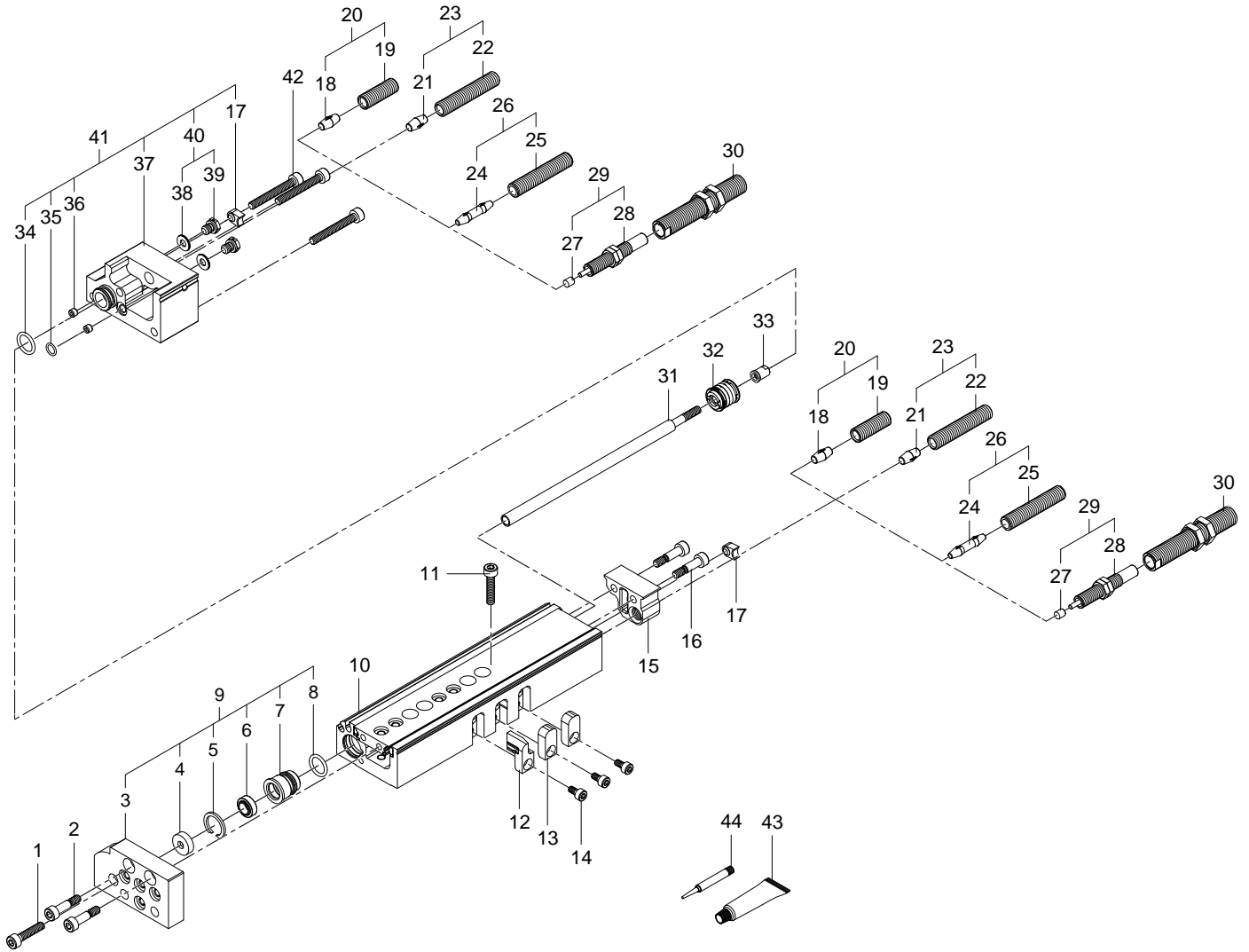


543942 DGSL-10-10-PA Mini slide - Series from 07-2022



543942 DGSL-10-10-PA Mini slide - Series from 07-2022

Pos.	Part no.	Type	Note	Qty.	Unit
A	713746	DGSL-10-...- Set of wearing parts	Spare parts: 5, 6, 8, 11, 27, 32, 33, 34, 35, 38, 44	1	PC
1	691654	ISO 4762-M3X16-12.9 Socket head screw	Tightening torque 1.3 Nm / 1.0 lbf ft	1	PC
2	696368	DGSL-10 Shaft screw	Tightening torque 3.2 Nm / 2.4 lbf ft	2	PC
3		DGSL-10 Yoke plate	Not available separately, see position 9 Glue with Loctite 401, adhesion surface area must free of oil and grease Warning! Disassembly requires recalibration.	1	PC
4		DGST-12/16 Centring sleeve	Not available separately, see position 9 Glue with Loctite 401, adhesion surface area must free of oil and grease Warning! Disassembly requires recalibration.	1	PC
5		SB-15 Circlip	Not available separately, see position 9+999	1	PC
6		WIFC1-6X9X2,8-TPE-U Wiper seal	Not available separately, see position 9+999 Grease using during assembly. See position 43	1	PC
7		DGSL-10 Bearing cap	Not available separately, see position 9 Grease using during assembly. See position 43	1	PC
8		B-10X1-N-NBR75 O-ring ISO3601	Not available separately, see position 9+999 Grease using during assembly. See position 43	1	PC
9	8197195	DGSL-10 Set of components		1	PC
10		DGSL-10-10 Guide module	Not available Use locking compound. See position 44	1	PC
11	205318	ISO 4762-M4X20-8.8 Socket head screw		1	PC
12	686785	DGSL-10 Stop		1	PC
13	686801	DGSL-10 Covering		1	PC
14	209537	ISO 4762-M4X8-8.8 Socket head screw	Tightening torque 2.9 Nm / 2.1 lbf ft	1	PC
15	8145936	DGSL-10 Moment compensator		1	PC
16		ISO 4762-M4X16-10.9 Socket head screw	Not available Tightening torque 3.2 Nm / 2.4 lbf ft	2	PC
17	699254	DGSL-10 Clamping component	Use locking compound. See position 44	2	PC
18	382090	5,9X7,1 Buffer element		1	PC
19		DYEF-S-M8-Y1 adjustment sleeve	Not available separately, see position 20	1	PC
20	1152536	DYEF-S-M8-Y1 Shock absorber	shock absorber -E	2	PC
21	382090	5,9X7,1 Buffer element		1	PC
22		DGSL-10-P adjustment sleeve	Not available separately, see position 23	1	PC
23	1179834	DYEF-M8-Y1 Shock absorber	shock absorber -P	2	PC
24	683973	DGSL-10-PFJ Buffer		1	PC
25		DGSL-10-P1 adjustment sleeve	Not available separately, see position 26	1	PC

Pos.	Part no.	Type	Note	Qty.	Unit
26	548373	DYEF-M8-Y1F Shock absorber	shock absorber -P1	2	PC
27	707459	DYSC/W-4- Buffer		1	PC
28		YSRWF-4-6 Shock absorber	Not available separately, see position 29	1	PC
29	548070	DYSW-4-6-Y1F Shock absorber	Attention, please order position 30 as well shock absorber -Y3	2	PC
30	1165476	DAYH-4 reducing sleeve	Attention, please order position 29 as well shock absorber -Y11	2	PC
31	688916	IRA-06-S0046,7-B Piston rod	Glue with Loctite 401, adhesion surface area must free of oil and grease	1	PC
32		BA-K10D-012-A Complete piston	Not available separately, see position A Grease using during assembly. See position 43	1	PC
33	709439	DSNU-12 Nut	Tightening torque 1 Nm / 0.7 lbf ft	1	PC
34		B-10X1-N-NBR75 O-ring ISO3601	Not available separately, see position A Grease using during assembly. See position 43	1	PC
35		B-6X1-N-NBR75 O-ring ISO3601	Not available separately, see position A Grease using during assembly. See position 43	1	PC
36		DGSL-10 Flow control plate	Not available separately, see position 41	2	PC
37		DGSL-10 Connection cap	Not available separately, see position 41	1	PC
38		OK-M5 Sealing ring	Not available separately, see position 40+999	1	PC
39		B-M5 B Plug screw	Not available separately, see position 40 Tightening torque 2 Nm / 1.5 lbf ft	2	PC
40	712005	B-M5-B-OK Blanking plug		2	PC
41	714230	DGSL-10-...-ET Connection cover module		1	PC
42	326601	ISO 4762-M3X30-8.8 Socket head screw	Tightening torque 1.3 Nm / 1.0 lbf ft	3	PC
43	684474	LUB-KC1 SILIKONFREI 20ML Lubricating grease		1	PC
44	8181256	CYBERBOND TM44 TB1ML Adhesive bonding agent		1	PC