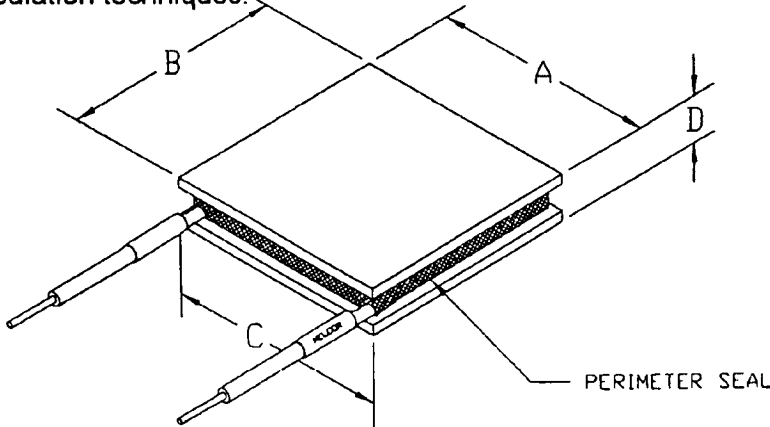


SEALED THERMOELECTRIC COOLERS

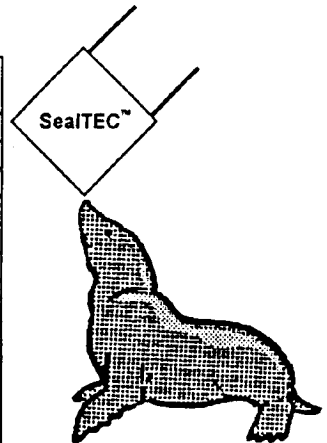
Melcor offers its most popular thermoelectric coolers (TECs) with a perimeter seal to protect it from the damaging effects of wet applications and condensation.

The SealTEC™ Series of thermoelectric coolers provides maximum protection from water condensation that often occurs when operating at or below the dew point or in humid conditions. The SealTEC™ barrier prevents water or gases from contacting the thermoelectric elements and electrical conductors. It is also an effective barrier for foam-in-place insulation techniques.



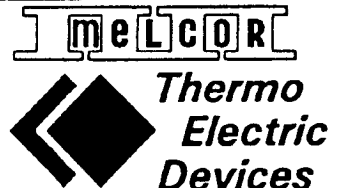
SealTEC™ Series Specifications

Model Number	I _{max} amps	Q _{max} watts	V _{max} volts	ΔT _{max} °C	A mm	B mm	C mm	D mm
ST 1.0-127-08L	2.5	21.4	15.4	65	30	30	30	4.0
ST 1.0-127-06L	3.0	25.7	15.4	65	30	30	30	3.6
ST 1.0-127-05L	3.9	33.4	15.4	64	30	30	30	3.2
ST 1.4-71-10L	3.9	18.7	8.6	67	30	30	30	4.7
ST 1.4-127-10L	3.9	33.4	15.4	67	40	40	40	4.7
ST 1.4-71-06L	6.0	28.7	8.6	65	30	30	30	3.8
ST 1.4-127-06L	6.0	51.4	15.4	65	40	40	40	3.8
ST 1.4-71-045L	8.5	38.5	8.6	64	30	30	30	3.3
ST 1.4-127-045L	8.5	68.8	15.4	64	40	40	40	3.3
ST 2-31-10L	9.0	18.8	3.75	67	30	30	30	5.6
ST 2-31-06L	14.0	29.3	3.75	65	30	30	30	4.6
ST 2.8-31-06L	24.0	50.4	3.75	65	40	40	40	5.0



Wire Standards: wire is stranded, 114mm (4.5 in.) long, PVC insulated

Model Type	Wire Gauge (AWG)
ST 1.0-ALL	24
ST 1.4-ALL	18
ST 2-ALL	18
ST 2.8-ALL	16



USES FOR THERMOELECTRICS ARE AS LIMITLESS AS THE IMAGINATION