



**General characteristics**

Colour	Yellow
Material	Polycarbonate
IEC degree of protection	IP66, IP67, IP69K

**Mechanical features**

Tightening torque for terminals max	Nm	1.8
Weight	g	152

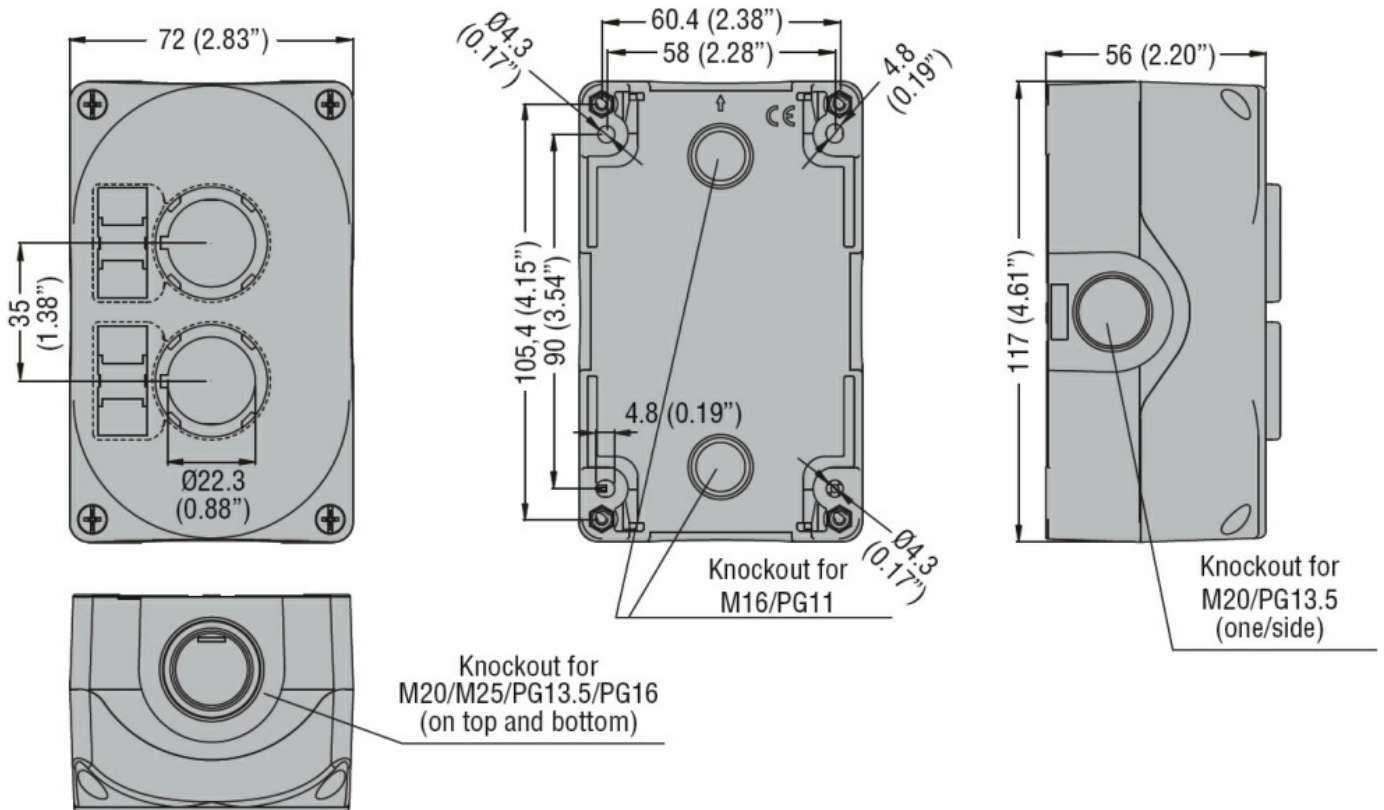
**UL technical data**

UL degree of protection	1, 2, 3R, 4, 4X, 12K
-------------------------	----------------------

**Ambient conditions**

Temperature	Operating temperature		
	min	°C	-25
	max	°C	+70
Temperature	Storage temperature		
	min	°C	-40
	max	°C	+85

**Dimensions**



**Certifications and compliance**

**Compliance**

CSA C22.2 n° 14

IEC/EN 60947-1

IEC/EN 60947-5-1

UL508

Certificates

cULus

EAC

ETIM classification

ETIM 8.0

EC000200 -  
Enclosure for  
control circuit  
devices