

2JDK0401Ga-A28

GNSS Ceramic Thru-Hole Mount Development Kit

Key Features

GPS/GLONASS/QZSS/Galileo
- 1575-1606 MHz

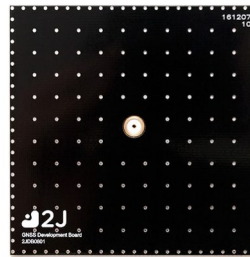
Set of 6 patches to try on devices

Thru-Hole Mount

High Gain

Ground Plane Independent

Patches Dimensions 13 x 13 x 4 mm



1. Antenna and electrical specifications

Parameters	GNSS Ceramic Thru-Hole Mount Antenna	
	GPS/QZSS/Galileo	GLONASS
Standards		
Bands (MHz)	1575	1602
Frequency (MHz)		
2JCP1340101Ga (2J84)	1575.42	1598-1606
2JCP1340102Ga (2J85)	1580.42	1603-1611
2JCP1340103Ga (2J86)	1585.42	1608-1616
2JCP1340104Ga (2J87)	1590.42	1613-1621
2JCP1340105Ga (2J88)	1595.42	1618-1626
2JCP1340106Ga (2J89)	1600.42	1623-1631
Return Loss (dB)	~-9.3	~-18.7
VSWR	~2.0:1	~1.6:1
Efficiency (%)	~58.5	~54.6
Peak Gain (dBiC)	~3.5	~3.1
Average Gain (dB)	~-2.3	~-2.6
Impedance (Ohms)	50	
Radiation Pattern	Hemispherical	

Antenna Measurement Conditions:

Free Space

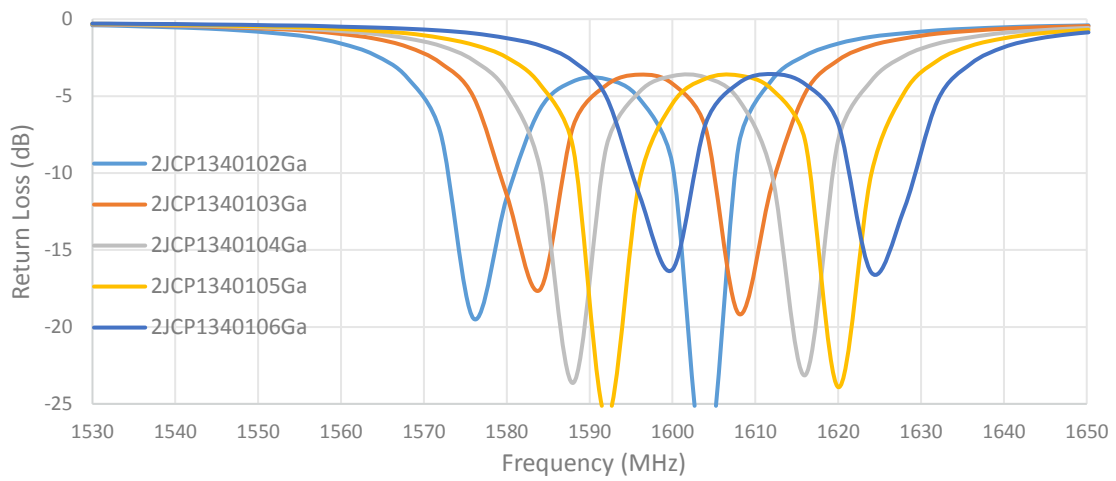
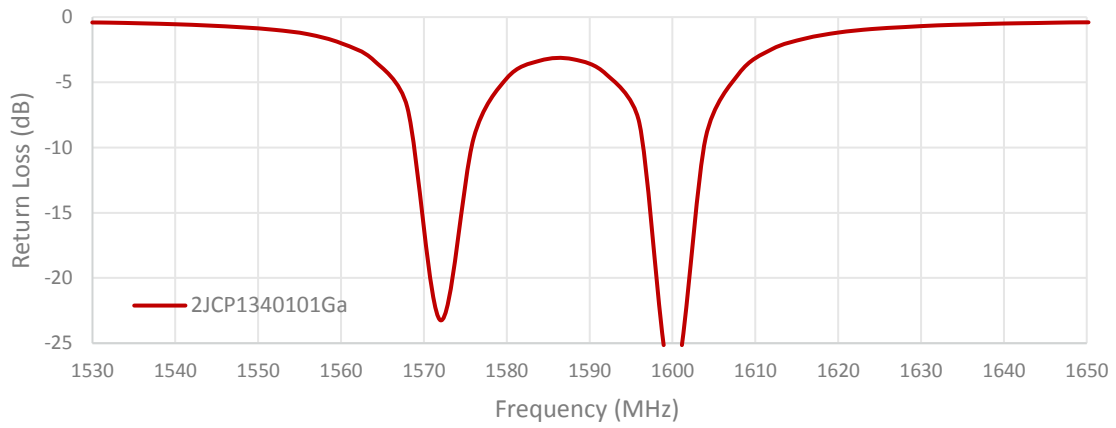
Mounted on Ground Plane of 70 x 70 mm

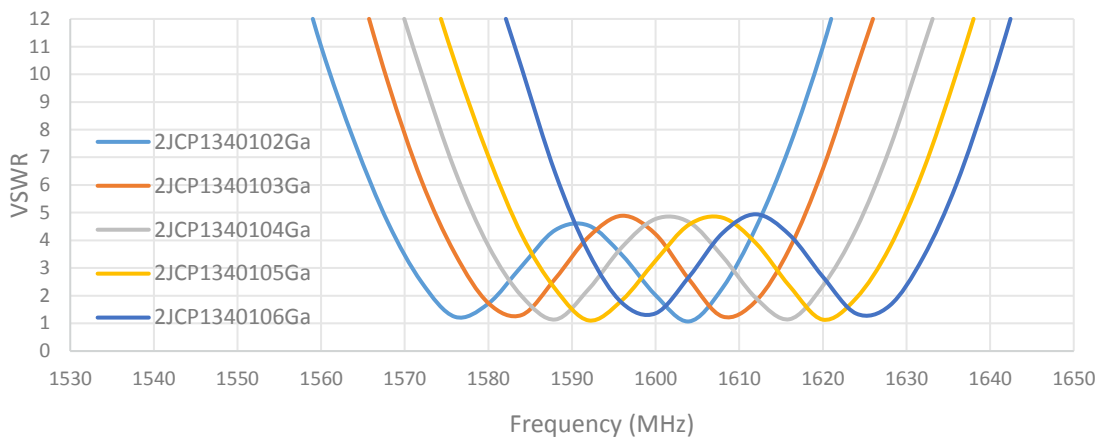
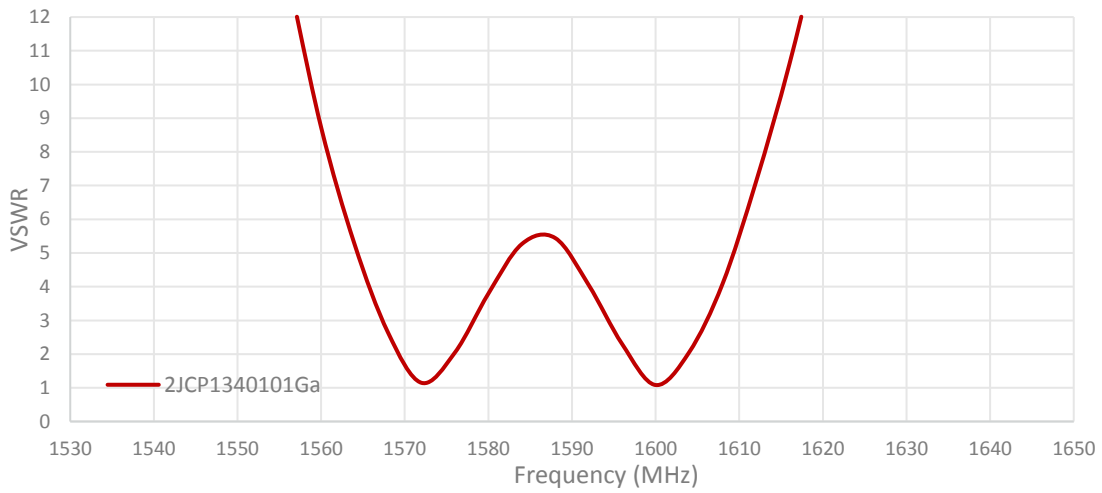
Measured in Certified CTIA 3D Anechoic Chamber

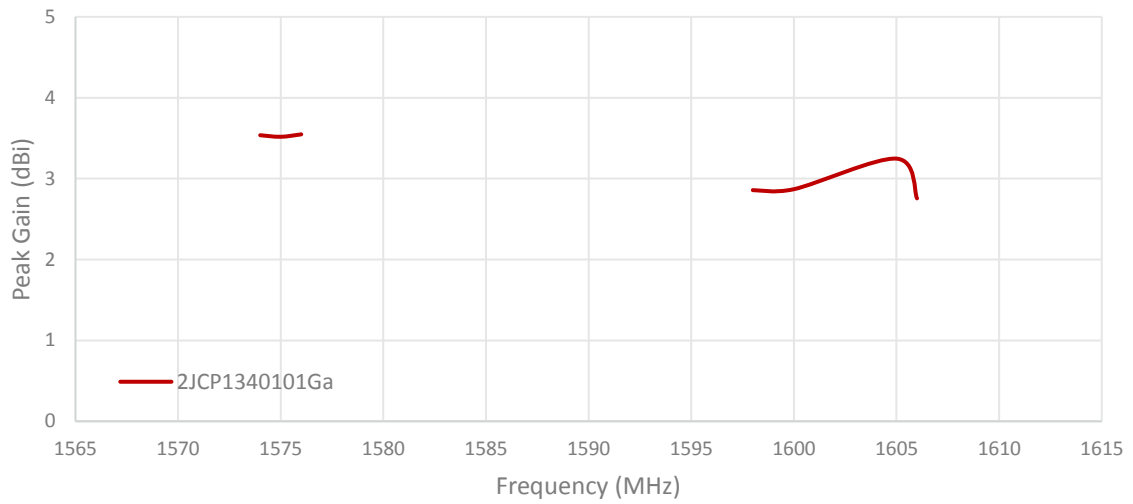
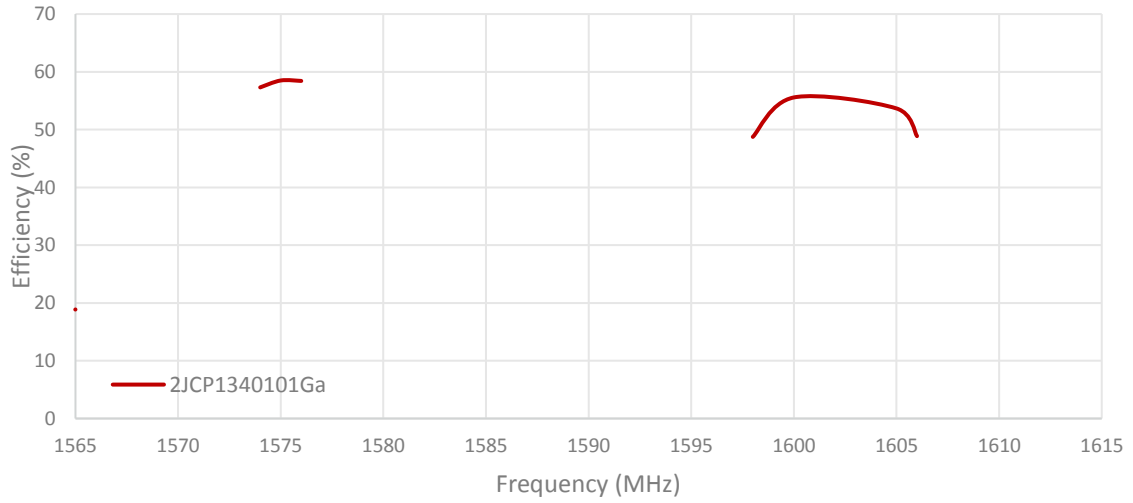
2. Mechanical and environmental specifications

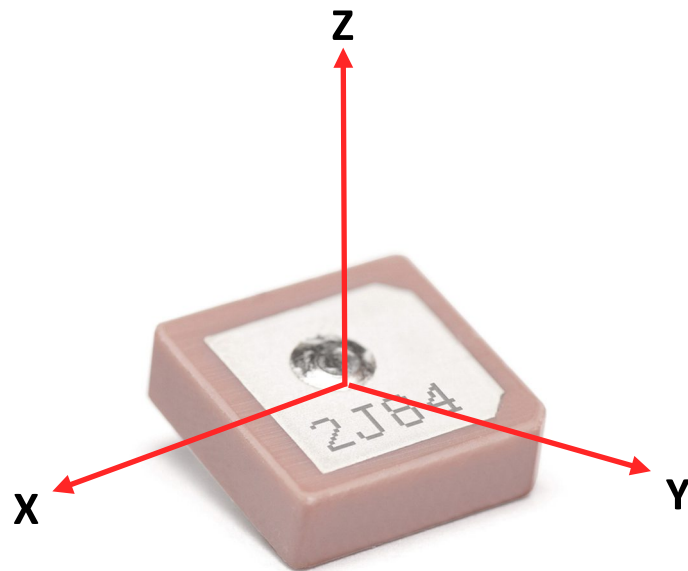
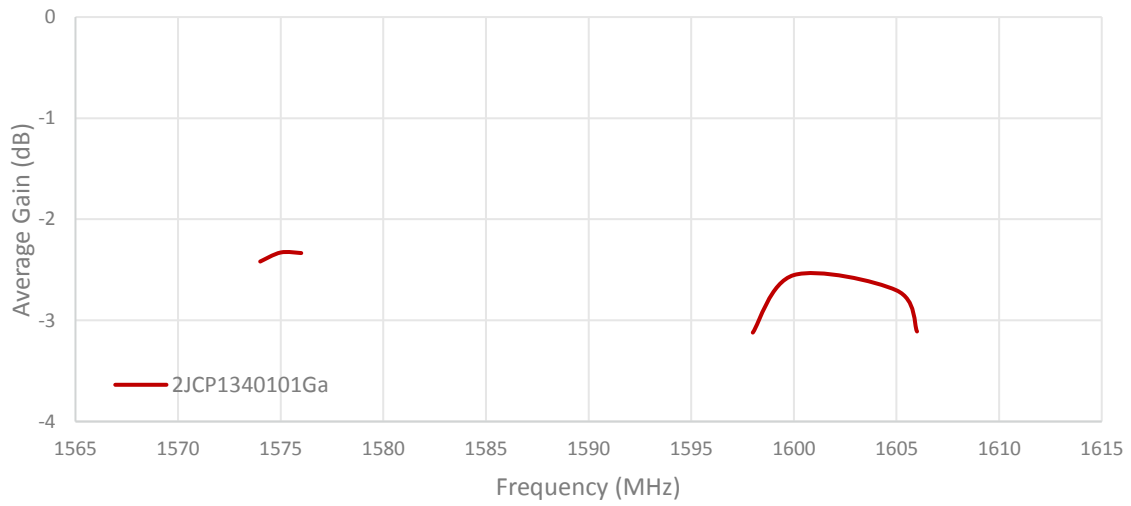
Specifications	2JCP1340101Ga
Mounting Type	Thru-Hole Mount
Adhesive	Nitto 5000NS
Dimensions (mm)	13 x 13 x 4
Operating Temperature (C)	-40 to +85
Storage Temperature (C)	-40 to +85
Substance Compliance	RoHS

3. Antenna parameters

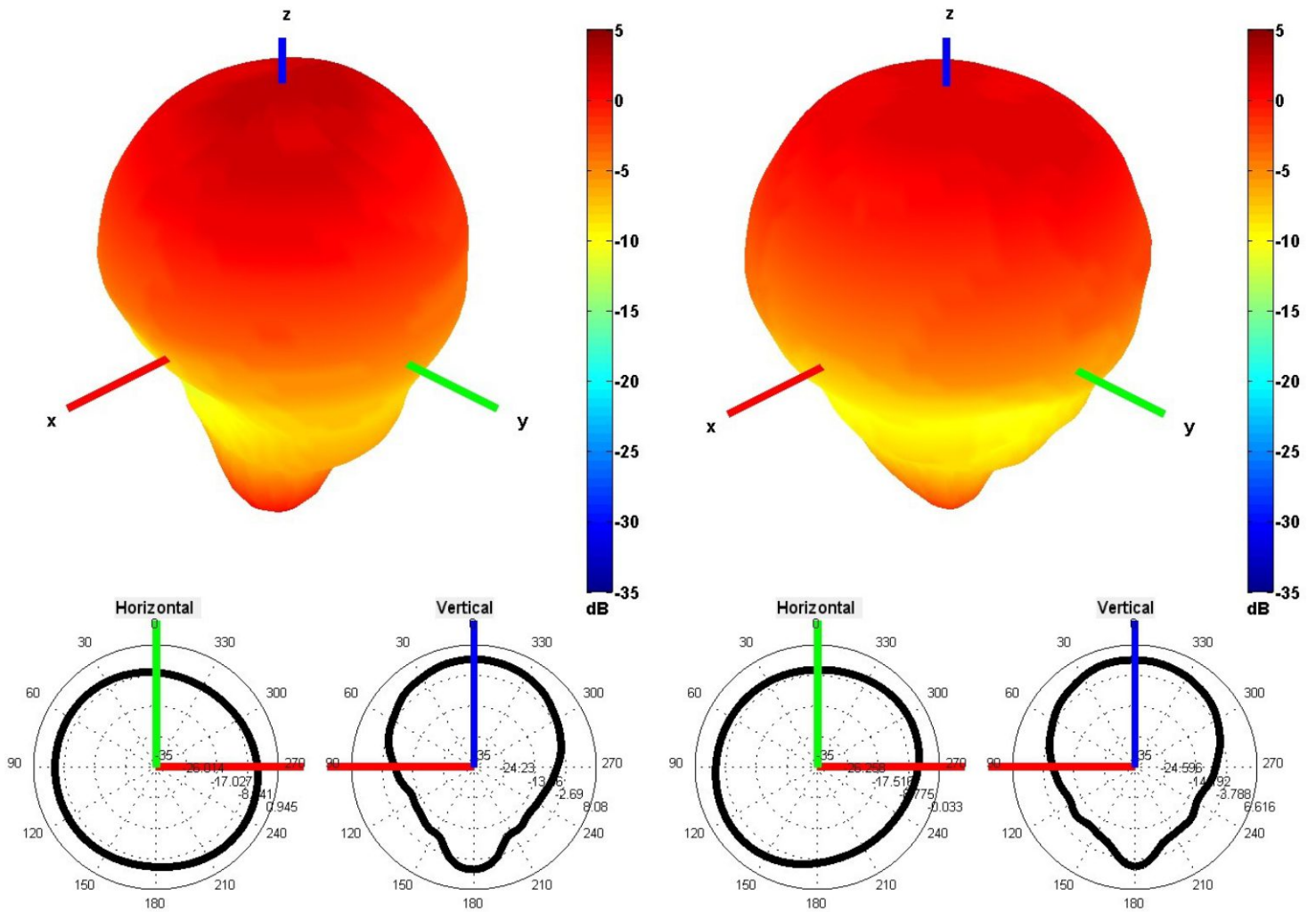








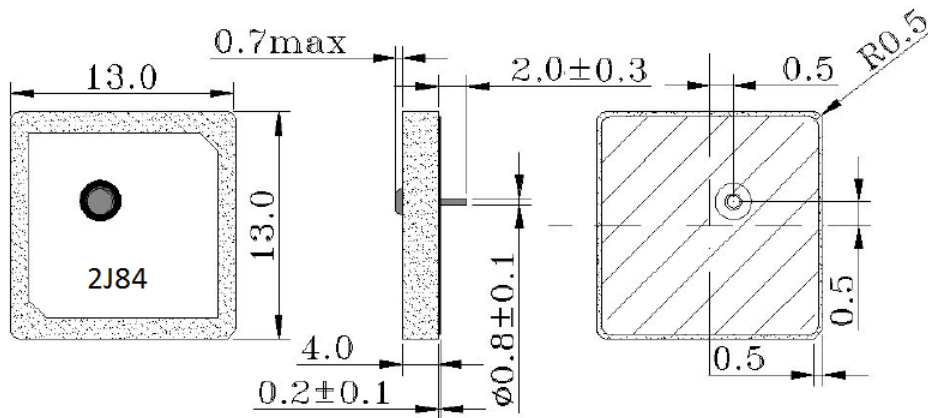
Radiation pattern reference



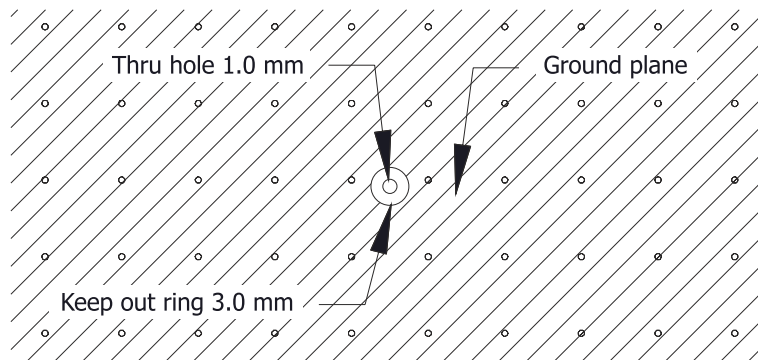
1575 AND 1602 MHz RADIATION PATTERN

4. Antenna drawings

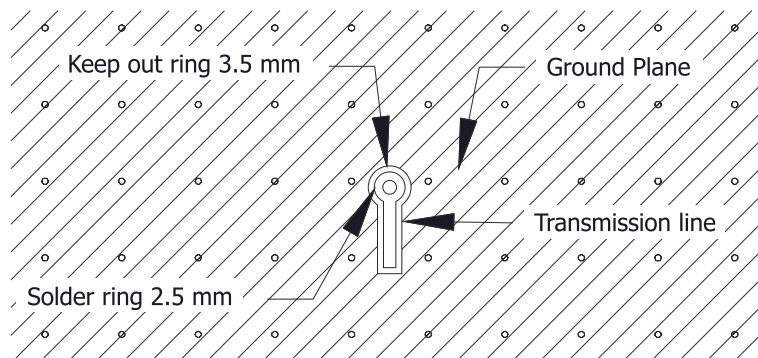
Patch Dimensions



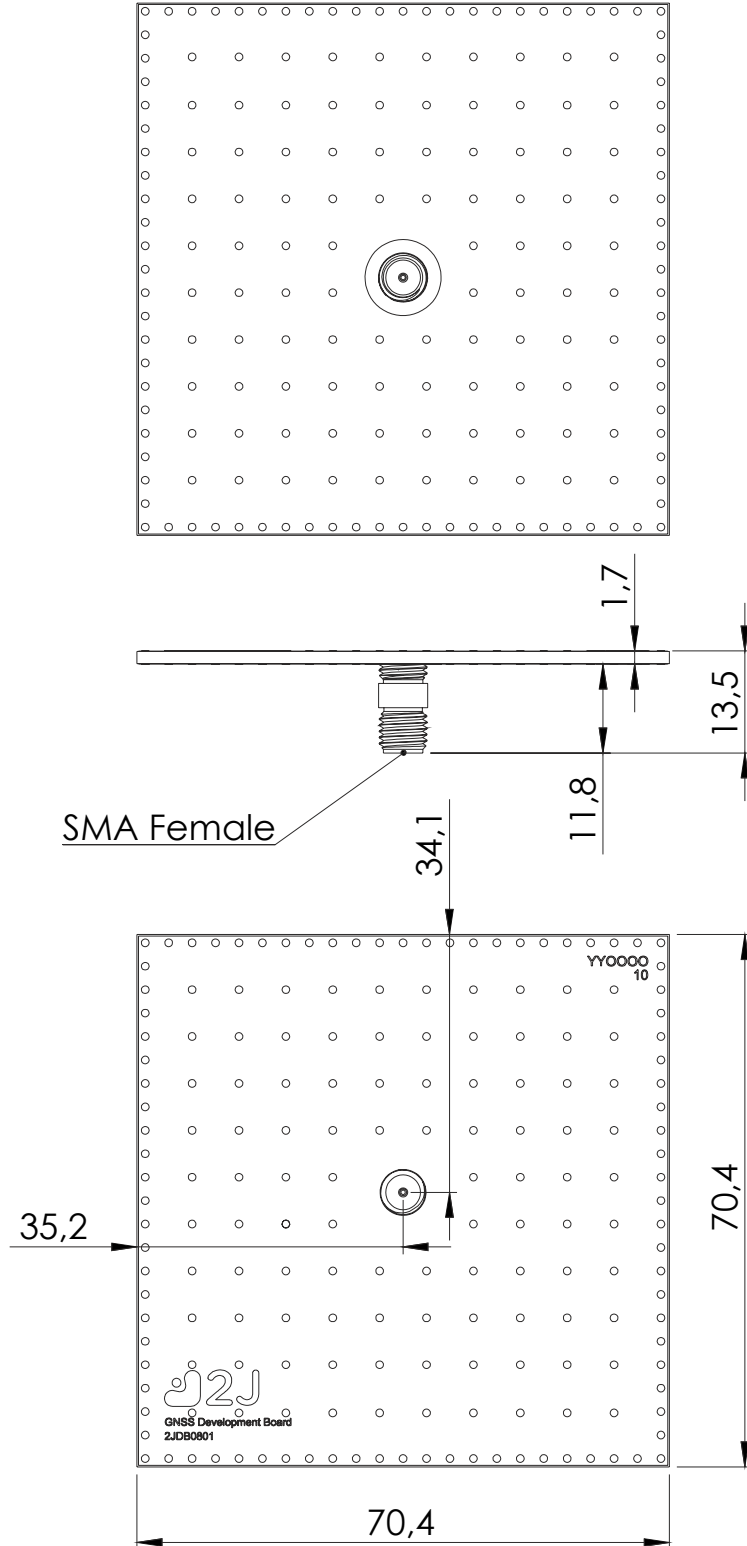
Layout for top layer



Layout for bottom layer



2JDB0801 Development board



5. Antenna Images

