

THIS DRAWING IS UNPUBLISHED. RELEASED FOR PUBLICATION 1825032, 1825032  
 © COPYRIGHT By - ALL RIGHTS RESERVED.

LOC	DIST	REVISIONS			
P	LTR	DESCRIPTION	DATE	DWN	APVD
AD	00	A1	REVISED PER ECO-11-004917	25MAR11	RK HMR

- OPERATING TEMPERATURE: -20°C TO 80°C.
- STORAGE TEMPERATURE: -40°C TO 80°C.
- CONTACT TIMING: NON-SHORTING.
- CONTACT RATING: 0.4VA @ 20VDC.
- CONTACT RATING MAXIMUM: 50mA 48V AC/DC.
- CONTACT RATING MINIMUM: 1µA 20mV AC/DC.
- CONTACT PLATING: GOLD OVER SILVER.
- FIXED CONTACT/TERMINAL: GOLD OVER NICKEL.
- FRAME PLATING: TIN OVER NICKEL.
- INITIAL CONTACT RESISTANCE: LESS THAN 50 MILLIOHMS PER EIA 364-23B.
- FINAL CONTACT RESISTANCE: 100 MILLIOHMS MAX PER EIA 364-23B.
- INSULATION RESISTANCE: 500 MEGOHMS MIN AT 250VDC PER EIA 364-21C.
- DIELECTRIC STRENGTH: 500VAC BETWEEN TERMINALS AND GROUND PER EIA 364-20B, CONDITION 1.
- VIBRATION PER EIA 364-28D, CONDITION VII, LEVEL E.
- MECHANICAL SHOCK PER EIA 364-27B, CONDITION A.

16. LIFE EXPECTANCY: ON-OFF ELECTRICAL SWITCHING OPERATIONS PER EIA 364-9C 10 CYCLES PER MINUTE AT THE FOLLOWING RATED LOAD.

TYPE	MAXIMUM CONTACT RATING	0.4 VA	MINIMUM CONTACT RATING
D.E	10000 (OPERATIONS)	30000 (OPERATIONS)	30000 (OPERATIONS)

- ACTUATION FORCE: 70-500g PER EIA 364-13B.
- THERMAL SHOCK PER EIA 364-32C, -25°C TO 85°C.
- HUMIDITY-TEMPERATURE CYCLING PER EIA 364-31B, METHOD III.
- TEMPERATURE LIFE PER EIA 364-17B, METHOD B, TEMPERATURE TEST CONDITION 3, TIME CONDITION B.
- RESISTANCE TO SOLDER HEAT PER 109-202,CON B.
- SOLDERABILITY PER EIA 364-52, CLASS 2, CATEGORY 1.
- SEALED PER IEC 529, IP67.
- ALL MATERIALS AND FINISHES SHALL COMPLY WITH EU DIRECTIVE 2000/95/EC OF 27 JAN2003 (ROHS)

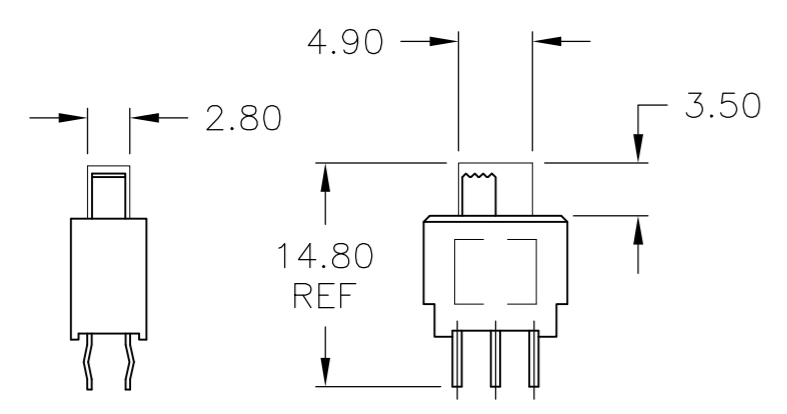
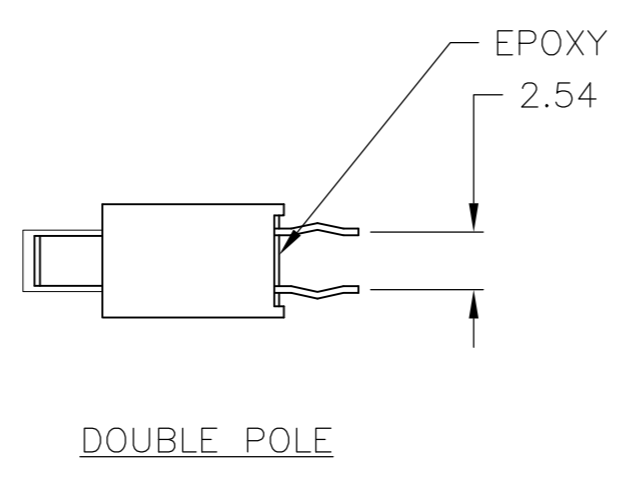
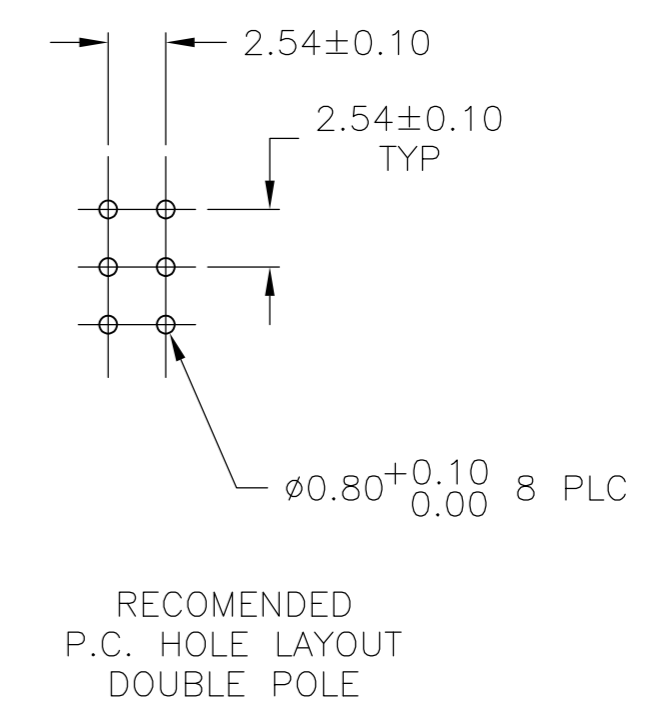
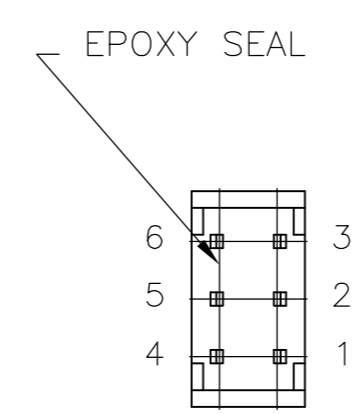
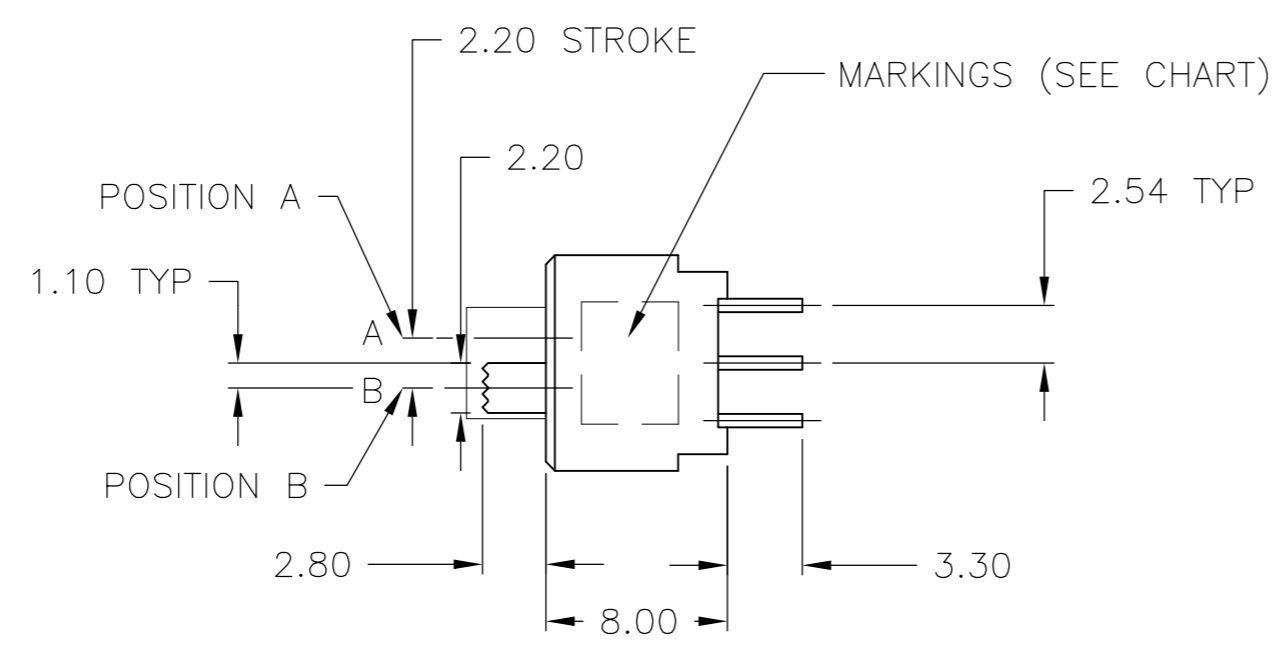
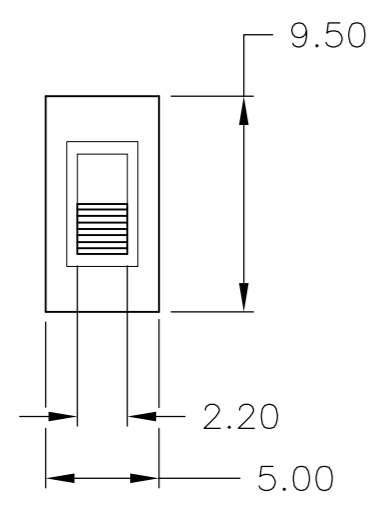
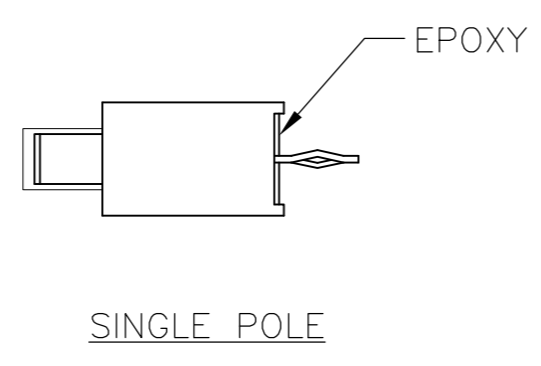
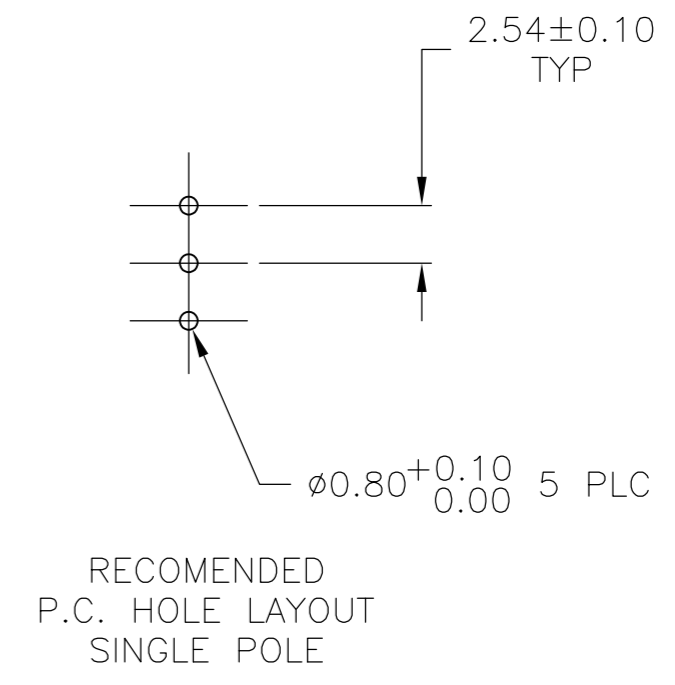
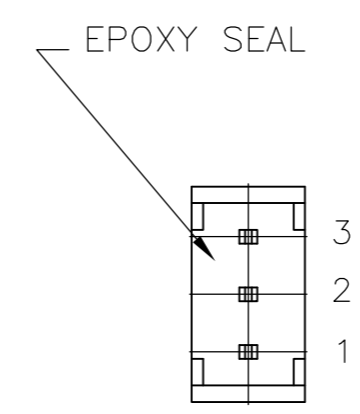
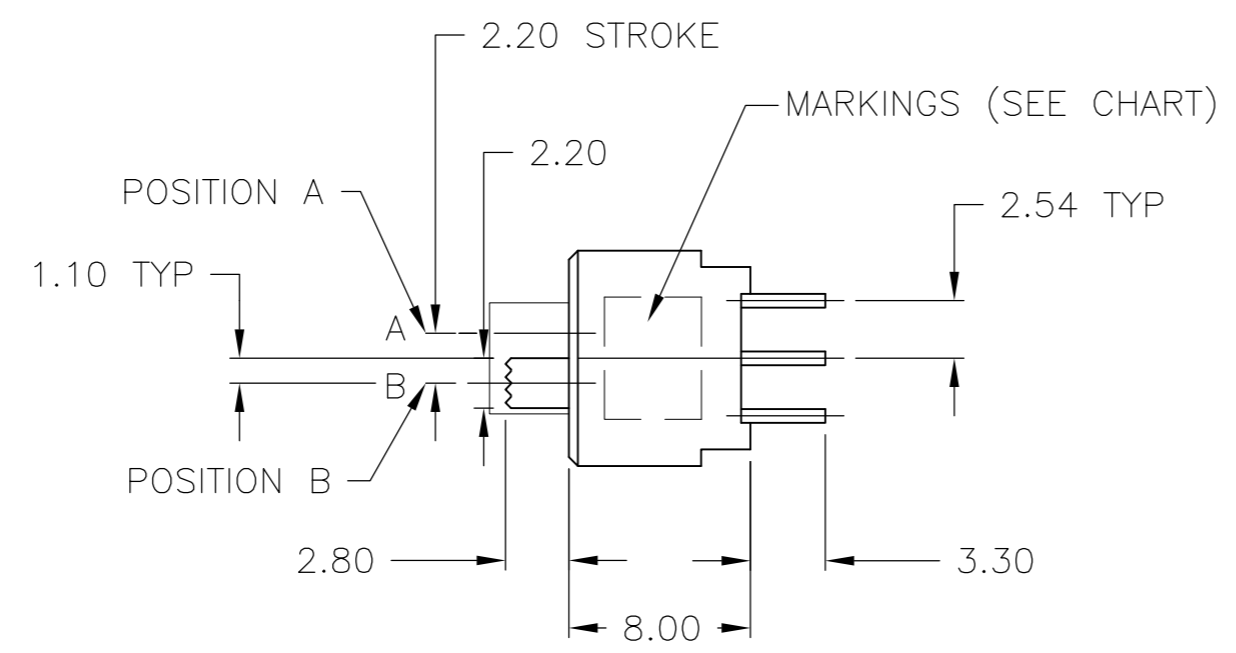
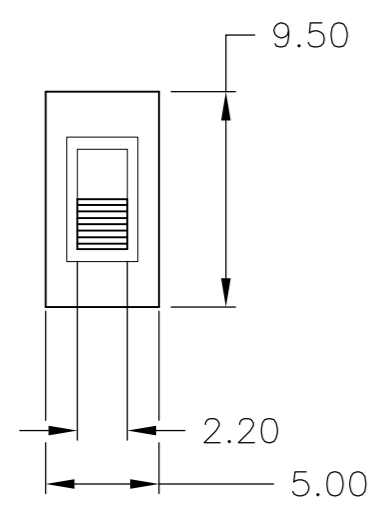
COLOR- WHITE	PET FILM UL94-HB	SLIDE PLATE
COLOR- BLACK	PA46 UL94V-0 30% GLASS FILLED	TERMINAL BOARD
-	STAINLESS STEEL	COIL SPRING
COLOR- WHITE	PA46 UL94V-0 30% GLASS FILLED	PLUNGER
-	SILICON RUBBER	ACTUATOR BOOT
-	EPOXY	TERMINAL SEAL
7	PHOSPHOR BRONZE	MOVABLE CONTACT
8	PHOSPHOR BRONZE	FIXED CONTACT /TERMINAL
COLOR- YELLOW	PA46 UL94V-0 30% GLASS FILLED	ACTUATOR
9	BRASS	FRAME
COLOR- GRAY	PA46 UL94V-0 30% GLASS FILLED	CASE
FINISH	MATERIAL	PART DESCRIPTION

ON 2-3 5-6	OFF	ON 2-1 5-4	tyco CHINA	SE2EGPC04	1825032-4
ON 2-3 5-6	NONE	ON 2-1 5-4	tyco CHINA	SE2DGP04	1825032-3
ON 2-3	OFF	ON 2-1	tyco CHINA	SE1EGPC04	1825032-2
ON 2-3	NONE	ON 2-1	tyco CHINA	SE1DGPC04	1825032-1
POSITION A	POSITION B	MARKINGS	ALCOSWITCH PART NUMBER	PART NUMBER	
CIRCUIT ARRANGEMENT					
CIRCUIT CHARACTERISTICS					

THIS DRAWING IS A CONTROLLED DOCUMENT.		DWN B.S.VISWESWARA	TE Connectivity	
DIMENSIONS: mm		CHK M.S.SARVER	SWITCH, SLIDE, SEALED SE(**)GPC	
TOLERANCES UNLESS OTHERWISE SPECIFIED:		APVD	NAME	
0 PLC ± -		PRODUCT SPEC	SIZE CAGE CODE DRAWING NO RESTRICTED TO	
1 PLC ± -		APPLICATION SPEC	A2 - C=1825032	
2 PLC ± 0.25		WEIGHT	SCALE 1:1 SHEET 1 OF 2 REV A1	
3 PLC ± -		CUSTOMER DRAWING		
4 PLC ± -				
ANGLES ± 0'30"				
MATERIAL	FINISH			

THIS DRAWING IS UNPUBLISHED. RELEASED FOR PUBLICATION 1825032, 1825032  
 © COPYRIGHT 1825032By - ALL RIGHTS RESERVED.

LOC	DIST	REVISIONS			
P	LTR	DESCRIPTION	DATE	DWN	APVD
AD	00	SEE SHEET 1	-	-	-



ACTUATOR BOOT DIMENSIONS SCALE 2:1

THIS DRAWING IS A CONTROLLED DOCUMENT.		DWN B.S.VISWESWARA	03MAR05	<b>TE</b> TE Connectivity	
DIMENSIONS: mm		CHK M.S.SARVER	APVD -		
TOLERANCES UNLESS OTHERWISE SPECIFIED:		PRODUCT SPEC		SWITCH, SLIDE, SEALED SE(**)GPC	
0 PLC ± -		APPLICATION SPEC		SIZE	RESTRICTED TO
1 PLC ± -		-		A2	-
2 PLC ± 0.25		-		CAGE CODE	DRAWING NO
3 PLC ± -		-		-	1825032
4 PLC ± -		-		SCALE	SHEET
ANGLES ± 0°30'		WEIGHT		3:1	2 of 2
FINISH		CUSTOMER DRAWING		REV	A1