



Auxiliary supply U_s			
Operational frequency	min	Hz	50
Power consumption	Max	VA	20
Power dissipation Max		W	1.35
Measuring voltage inputs			
Rated voltage (U_e)	phase-phase	VAC	400
	phase-neutral	VAC	230
Operating voltage range	phase-phase	VAC	323...456
	phase-neutral	VAC	187...264
Connection method			Direct
Current			
IEC maximum (I_{max})		A	80
IEC minimum (I_{min})		A	0.5
IEC rated (I_{ref-Ib})		A	10
IEC start (I_{st})		mA	40
Transition (I_{tr})		A	1
Accuracy			
	Active energy		Class 1 (IEC/EN 62053-21)
	Reactive energy		Class 2 (IEC/EN 62053-23)
RS485 serial interface			
Baud rate		bps	Programmable 1200...38400
Insulations			
Rated insulation voltage U_i IEC/EN		V	250
Rated impulse withstand voltage U_{imp}		kV	6
Operating frequency withstand voltage		kV	4
Mechanical features			
Housing type			Polyamide
Terminals type			Fixed
Conductor cross section	min	mm ²	2.5
	Max	mm ²	25
	min	AWG	14
	Max	AWG	4
Tightening torque (Max)		Nm	3
		lbin	26.5
Fixing			Din rail
Weight		g	360

Ambient conditions

Temperature

Operating temperature

min	°C	-25
max	°C	+70

Storage temperature

min	°C	-25
max	°C	+70

Relative humidity

% <80

Maximum Pollution degree

2

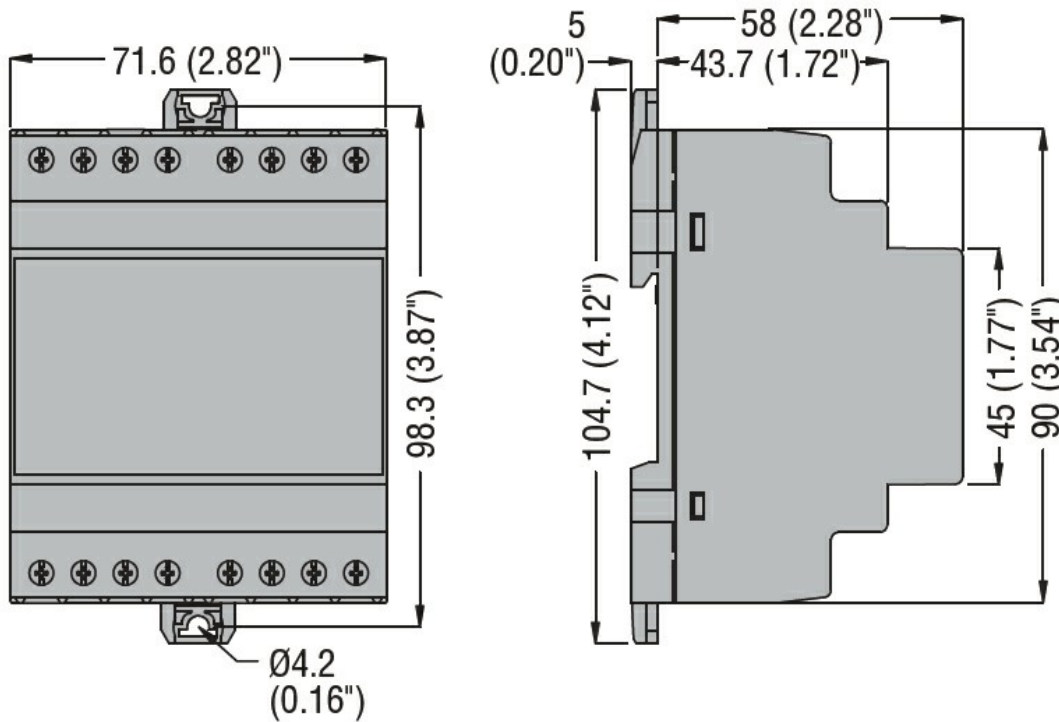
Mechanical environment

Class M1

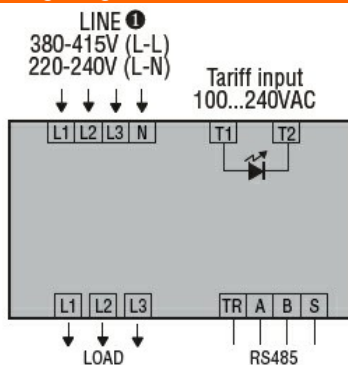
Magnetic environment

Class E2

Dimensions



Wiring diagrams



Certifications and compliance

Compliance

- BS EN 50470-3
- IEC/EN/BS 62052-11
- IEC/EN/BS 62052-31
- VDE-AR-E 2418-3-100

Certificates

EAC

MID

MIR

ETIM classification

ETIM 8.0

EC001506 -
Kilowatt-hour
meter