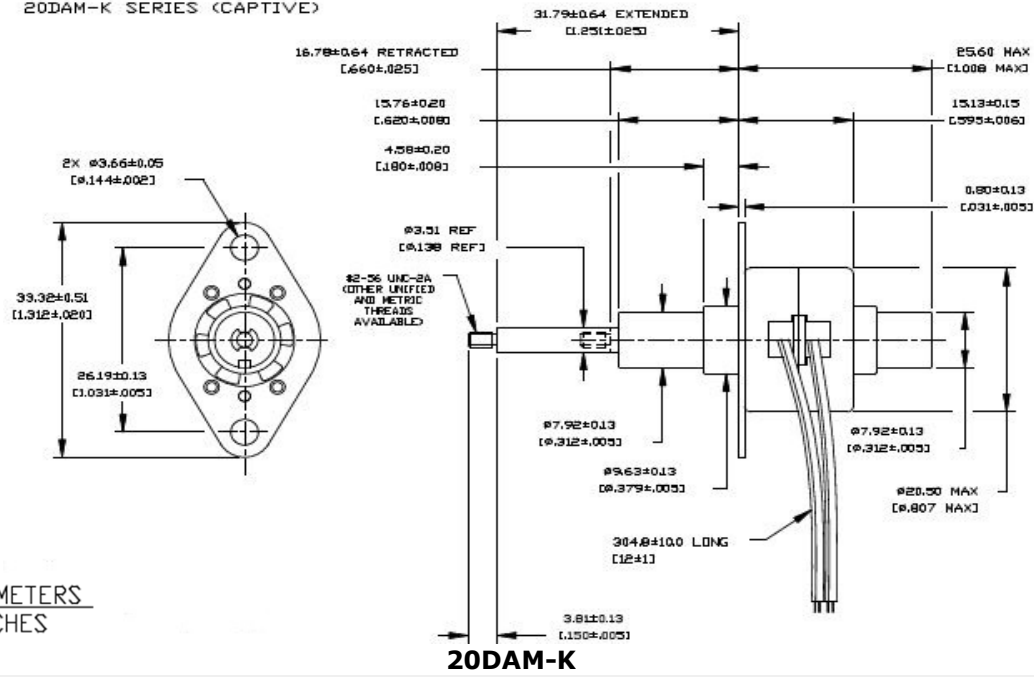


20DAM-K SERIES (CAPTIVE)



DIMENSIONS: MILLIMETERS
INCHES

20DAM-K

| Electrical Data | | 20DAMXXD1B-K Bipolar | 20DAMXXD2B-K Bipolar | 20DAMXXD1U-K Unipolar | 20DAMXXD2U-K Unipolar | |
|------------------------------------------|--------------------|-------------------------|-------------------------|--------------------------|--------------------------|---------|
| 1 Operating Voltage | | 5 | 12 | 5 | 12 | VDC |
| 2 Resistance per Phase, ± 10% | | 20.0 | 115.2 | 20.0 | 115.2 | Ohms |
| 3 Inductance per Phase, typ | | 7.2 | 40.8 | 3.8 | 20.3 | mH |
| 4 Rated Current per Phase * | | 0.25 | 0.10 | 0.25 | 0.10 | A |
| Coil independent parameters | | XX | | | | |
| 5 Max. Holding Force | @ .001" (0.0254mm) | 30.6 (110) | | 20.9 (75) | | N (oz) |
| | @ .002" (0.0508mm) | 20.9 (75) | | 13.9 (50) | | N (oz) |
| | @ .004" (0.1016mm) | 11.1 (40) | | 8.3 (30) | | N (oz) |
| 6 Min. Holding Force (Unenergized) | @ .001" (0.0254mm) | | 55.6 (200) | | | N (oz) |
| | @ .002" (0.0508mm) | | 11.1 (40) | | | N (oz) |
| | @ .004" (0.1016mm) | | 2.8 (10) | | | N (oz) |
| 7 Maximum travel | @ .001" (0.0254mm) | | 15 (0.59) | | | mm (in) |
| | @ .002" (0.0508mm) | | 15 (0.59) | | | mm (in) |
| | @ .004" (0.1016mm) | | 15 (0.59) | | | mm (in) |
| 8 Step Angle | | | 15 ± 1 | | | Degree |
| 9 Steps per Revolution | | | 24 | | | |
| 10 Ambient Temperature Range (operating) | | | -20 to +70 (-4 to +158) | | | °C (°F) |
| 11 Maximum Coil Temperature | | | 130 (266) | | | °C (°F) |
| 12 Bearing Type | | | Ball Bearing | | | |
| 13 Insulation Resistance at 500 VDC | | | 20 | | | Mohms |
| 14 Dielectric Withstanding Voltage | | | 650 for 2 seconds | | | VAC |
| 15 Weight | | | 25 (0.88) | | | g (oz) |
| 16 Leadwire | | | AWG 28, UL 1429 | | | |

All Motor Data Values at 20°C Unless Otherwise Specified

* Energize at Rated Current, 2 Phase On

